



SMP100LC-xxx

TRISIL™ FOR HIGH DEBIT RATE TELECOM LINES PROTECTION

PRELIMINARY DATASHEET

FEATURES

- Bidirectional crowbar protection
- Low capacitance : $C = 30 \text{ PF TYP @ } 50\text{V}$
- Low leakage current : $I_R = 2 \mu\text{A MAX}$
- Repetitive peak pulse current :
 $I_{PP} = 100 \text{ A (10/1000}\mu\text{S)}$
- Holding current: $I_H = 150 \text{ mA}$

MAIN APPLICATIONS

Any sensitive equipment requiring protection against lightning strikes and power crossing:

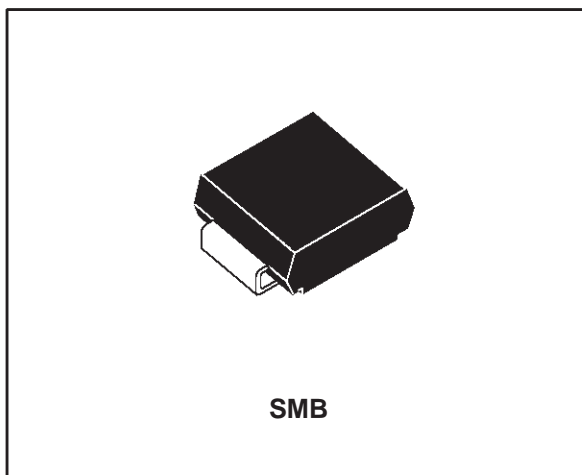
- Analog and digital line cards
(xDSL, T1/ E1, ISDN...)
- Gas tube replacement
- Terminals and transmission equipment

DESCRIPTION

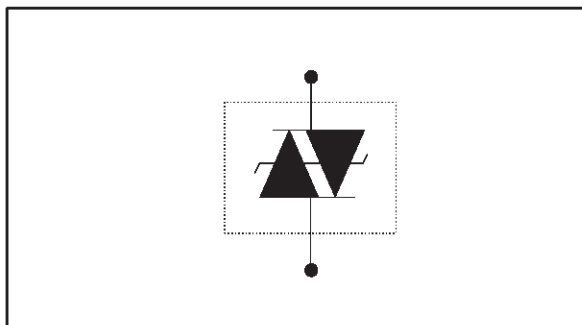
The SMP100LC-xxx series is a very low capacitance transient surge arrester designed for the protection of high debit rate communication equipment. Its low capacitance avoid any distorsion of the signal. It can also

BENEFITS

- No ageing and no noise
- Short circuit in failure mode, thus still ensuring protection
- Board space saving



SCHEMATIC DIAGRAM



SMP100LC-xxx

COMPLIES WITH THE FOLLOWING STANDARDS:	Peak Surge Voltage (V)	Voltage Waveform (μ s)	Current Waveform (μ s)	Admissible I_{pp} (A)	Necessary Resistor (note 1) (Ω)
ITU-T- K20	4000	10/700	5/310	100	-
VDE0433	4000	10/700	5/310	100	-
VDE0878	4000	1.2/50	1/20	100	-
IEC-1000-4-5	level 4	10/700	5/310	100	-
	level 4	1.2/50	8/20	100	-
FCC Part 68, lightning surge type A	1500	10/160	10/160	200	-
	800	10/560	10/560	100	-
FCC Part 68, lightning surge type B	1000	5/320	5/320	25	-
BELLCORE TR-NWT-001089 First level	2500	2/10	2/10	500	-
	1000	10/1000	10/1000	100	-
BELLCORE TR-NWT-001089 Second level	5000	2/10	2/10	500	-
CNET I31-24	4000	0.5/700	0.8/310	100	-

Note 1: minimum series resistance to insert on the module line to withstand the standard.

THERMAL RESISTANCES

Symbol	Parameter	Value	Unit
$R_{th(j-l)}$	Junction to leads	20	$^{\circ}\text{C/W}$
$R_{th(j-a)}$	Junction to ambient on printed circuit (with standard footprint dimensions)	100	$^{\circ}\text{C/W}$

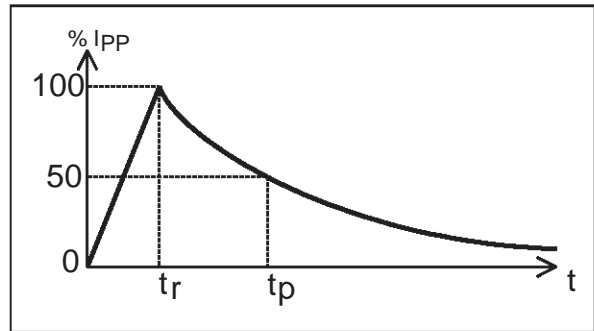
ABSOLUTE MAXIMUM RATINGS ($T_{amb} = 25^{\circ}\text{C}$, unless otherwise specified)

Symbol	Parameter	Value	Unit
I_{pp}	Repetitive peak pulse current:		
	10/1000 μ s (open circuit voltage wave shape 1 kV 10/1000 μ s)	100	A
	8/20 μ s (open circuit voltage wave shape 4 kV 1.2/50 μ s)	250	A
	5/310 μ s (open circuit voltage wave shape 5 kV 10/700 μ s)	150	A
	2/10 μ s (open circuit voltage wave shape 2.5 kV 2/10 μ s)	500	A
I_{FS}	Fail-safe mode : maximum current (note 2)	8/20 μ s	5 kA
I_{TSM}	Non repetitive surge peak on-state current One cycle	50Hz	50 A
		60Hz	53 A
	Non repetitive surge peak on-state current F = 50Hz	0.2s	23 A
		2s	10 A
T_L	Maximum lead temperature for soldering during 10s	260	$^{\circ}\text{C}$
T_{stg} T_j	Storage temperature range	- 55 to + 150	$^{\circ}\text{C}$
	Maximum junction temperature	150	$^{\circ}\text{C}$

Note 2: in fail safe mode, the device acts as a short circuit.

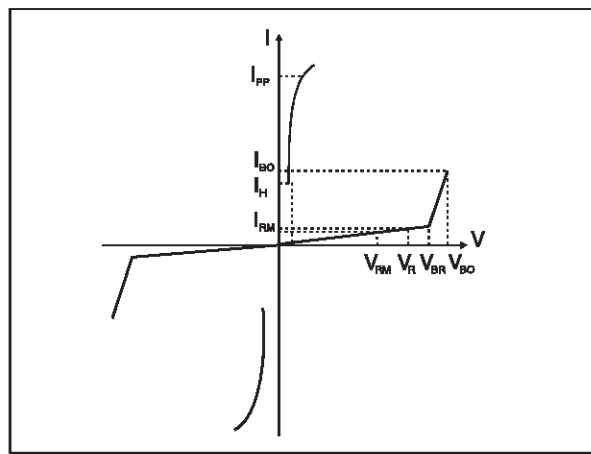
Pulse waveform:

10 / 1000 μ s	$t_r = 10 \mu$ s	$t_p = 1000 \mu$ s
8 / 20 μ s	$t_r = 8 \mu$ s	$t_p = 20 \mu$ s
5 / 310 μ s	$t_r = 5 \mu$ s	$t_p = 310 \mu$ s
1 / 20 μ s	$t_r = 1 \mu$ s	$t_p = 20 \mu$ s
2 / 10 μ s	$t_r = 2 \mu$ s	$t_p = 10 \mu$ s



ELECTRICAL CHARACTERISTICS ($T_{amb} = 25^{\circ}C$)

Symbol	Parameter
V_{RM}	Stand-off voltage
I_{RM}	Leakage current at V_{RM}
V_R	Continuous reverse voltage
I_R	Leakage current
V_{BR}	Breakdown voltage
V_{BO}	Breakover voltage
I_H	Holding current
I_{BO}	Breakover current
I_{PP}	Peak pulse current
C	Capacitance



DYNAMIC PARAMETERS

Type	$I_{RM} @ V_{RM}$ max.		$I_R @ V_R$ max. Note 1		$V_{BO} @ I_{BO}$ max. Note 2		I_H min. Note 3	C typ. Note 4
	μ A	V	μ A	V	V	mA	mA	pF
SMP100LC-140	2	120	50	140	185	800	150	30
SMP100LC-200	2	170	50	200	265	800	150	30
SMP100LC-270	2	230	50	262	350	800	150	30

Note 1: I_R measured at V_R guarantee $V_{BR} > V_R$

Note 2: $V_{RISE} = 100V/\mu$ s, $di/dt < 10 A/\mu$ s, $I_{PP} = 100A$

$V_{RISE} = 1kV/\mu$ s, $di/dt < 10 A/\mu$ s, $I_{PP} = 10A$

V_{BO} parameters are given by a KeyTek "System 2" generator with PN2461 module.

See test circuits 3 for V_{BO} dynamic parameters

Note 3: See functional holding current test circuit 1

Note 4: $V_R=50V$ bias, $V_{RMS}=1V$, $F=1MHz$.

STATIC PARAMETERS

Symbol	Type	Test conditions	Max.	Unit
V _{BO}	SMP100LC-140	Measured at 50Hz, see test circuit 2. In any case V _{BOmin} ≥ V _{BR}	190	V
	SMP100LC-200		275	
	SMP100LC-270		370	

Fig 1 : Non repetitive surge peak on-state current versus overload duration (T_j initial = 25 °C).

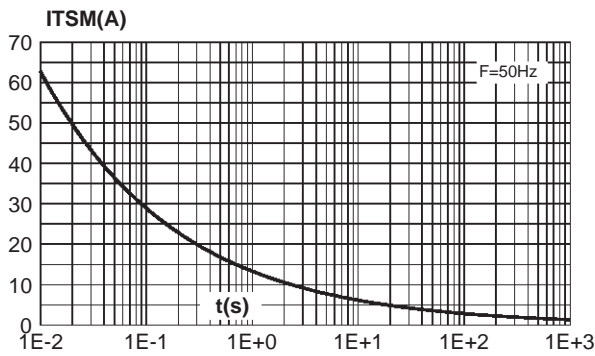


Fig 2 : On-state voltage versus on-state current (typical values).

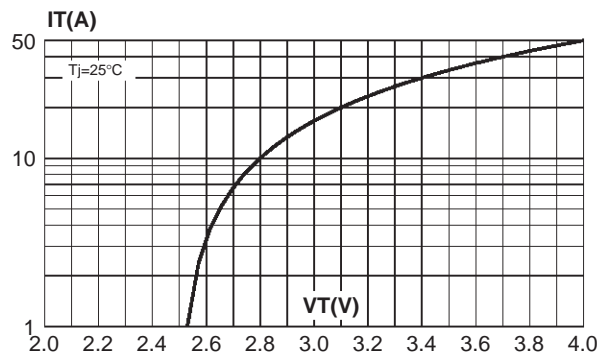


Fig 3 : Relative variation of holding current versus junction temperature .

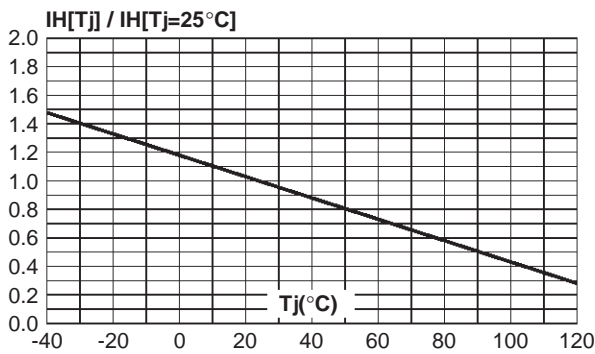


Fig 4 : Variation of thermal impedance junction to ambient versus pulse duration (Printed circuit board FR4, SCu=35µm, recommended pad layout).

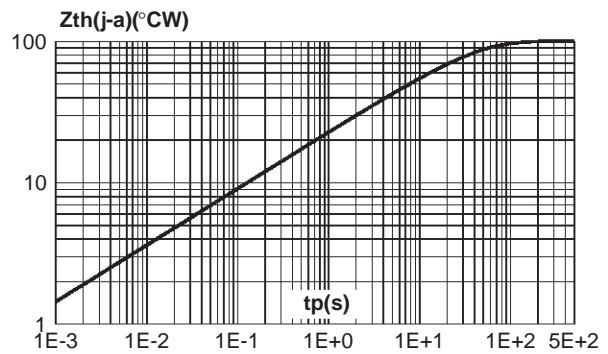
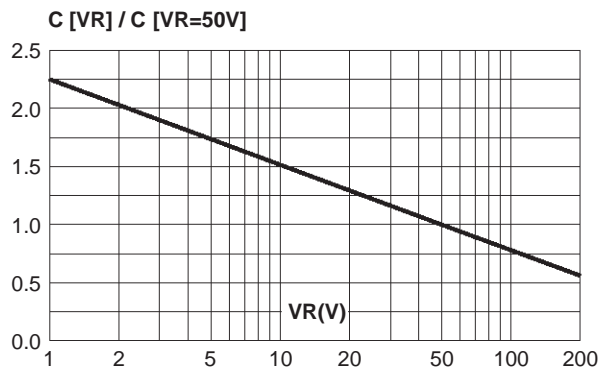
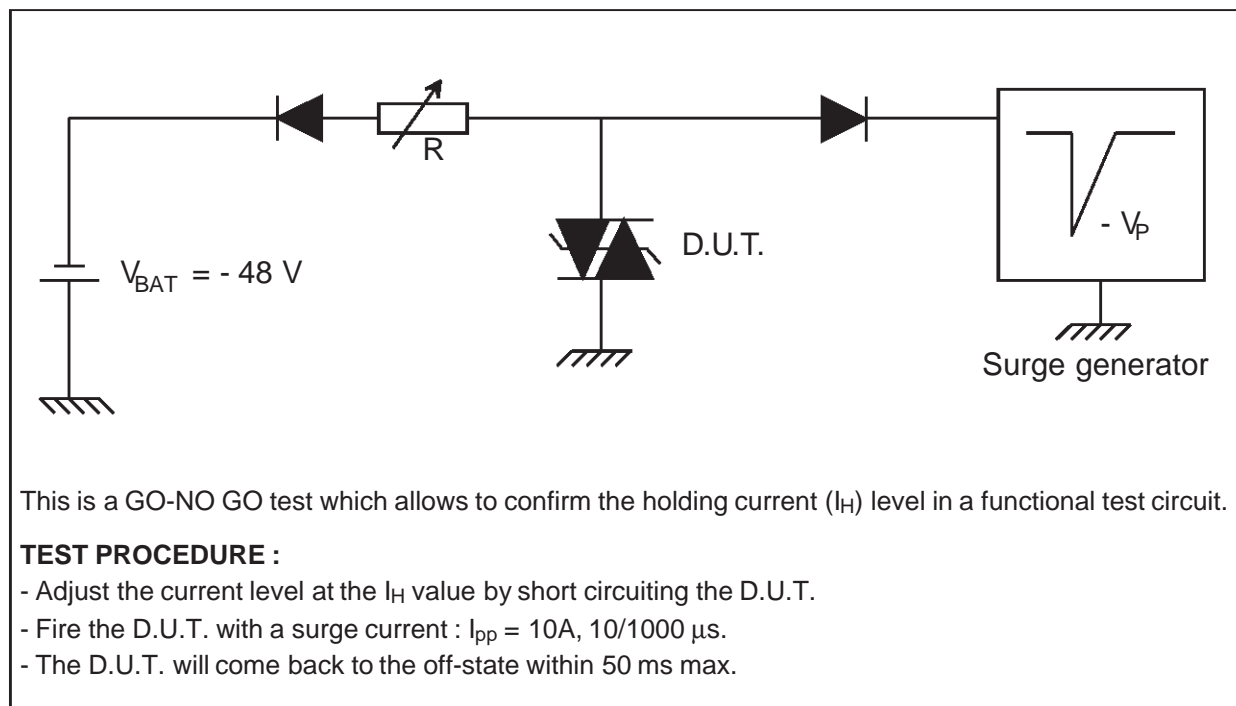


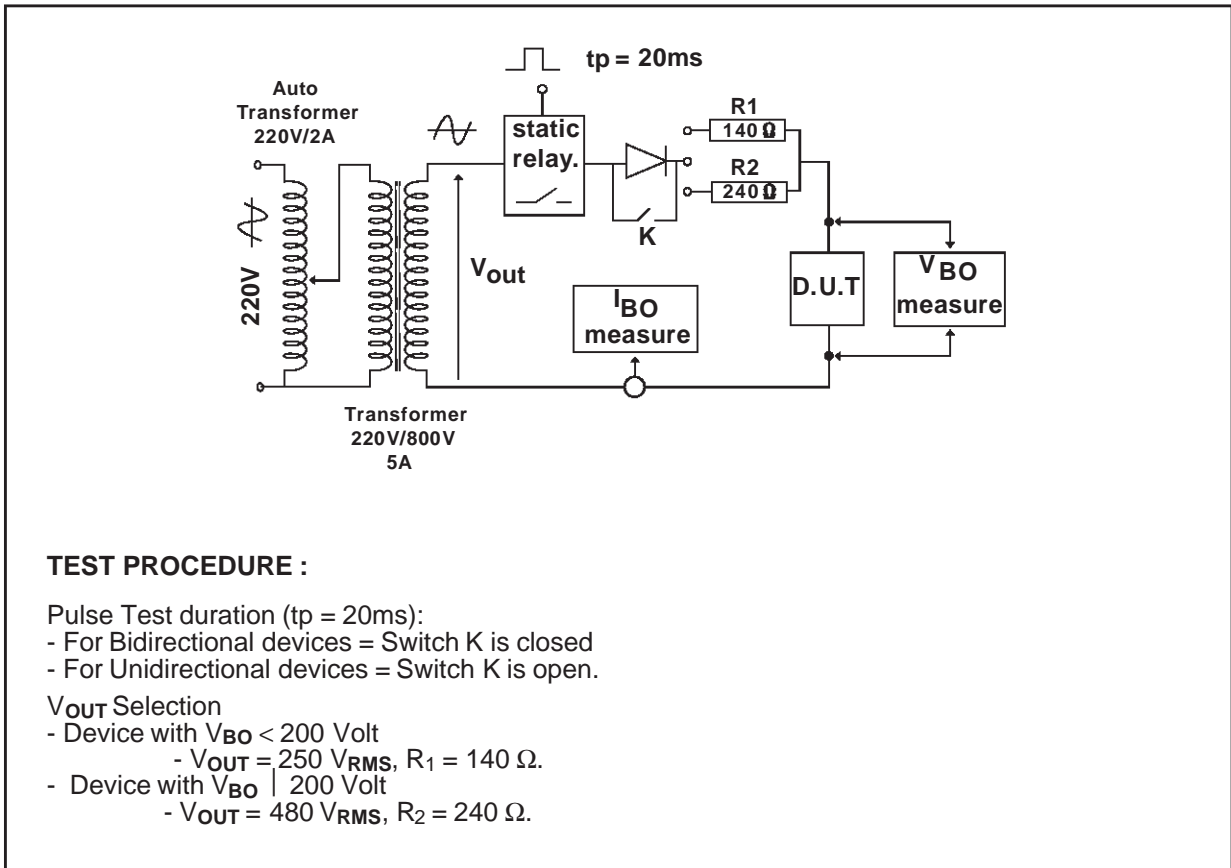
Fig 5 : Variation of junction capacitance versus reverse voltage applied (typical values).



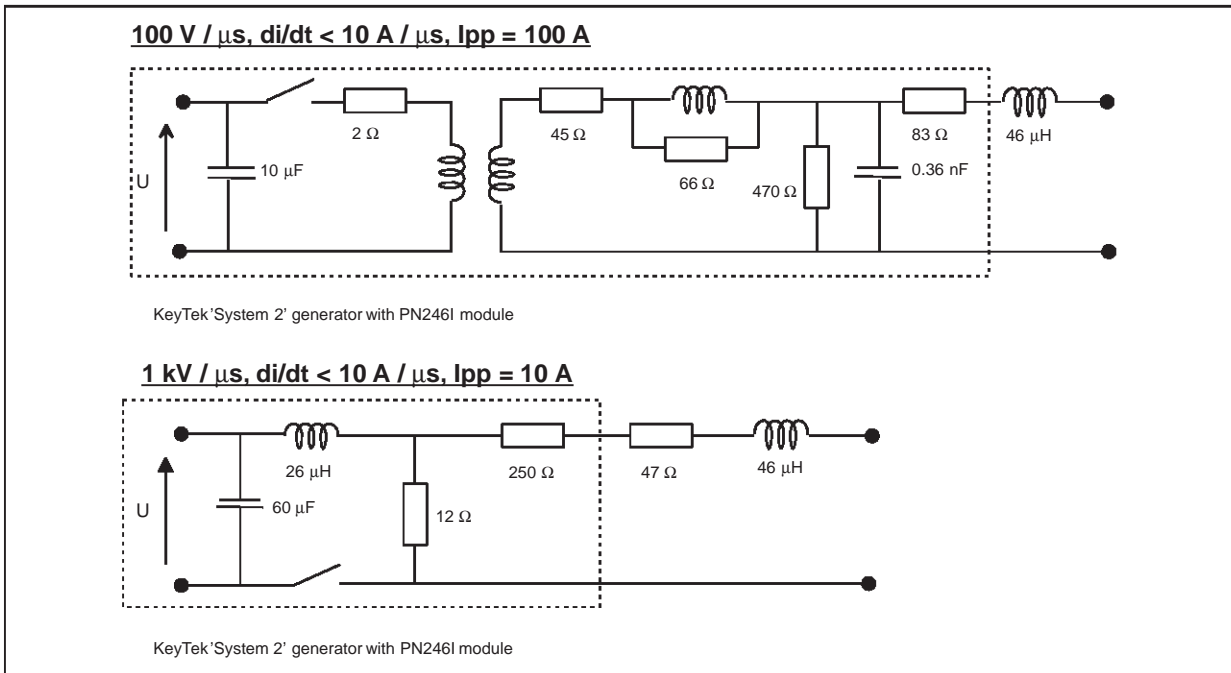
FUNCTIONAL HOLDING CURRENT (I_H) TEST CIRCUIT 1 : GO-NO GO TEST



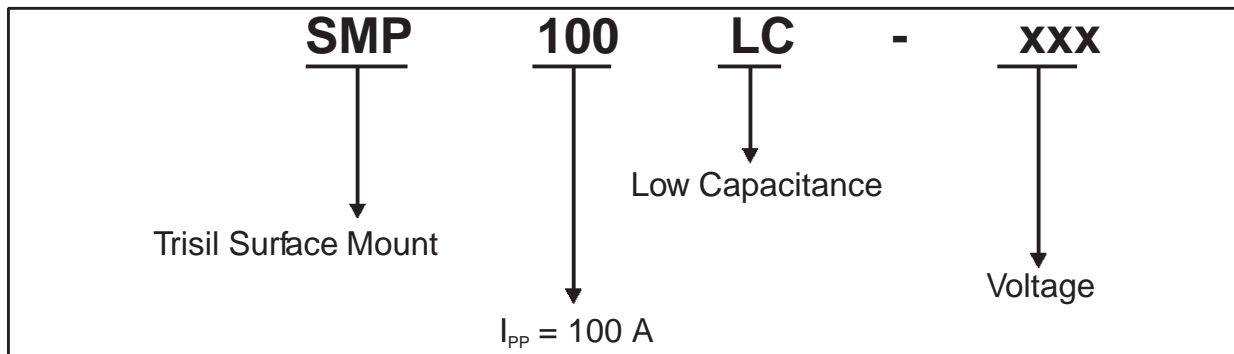
TEST CIRCUIT 2 FOR I_{BO} and V_{BO} parameters :



TEST CIRCUITS 3 FOR V_{BO} DYNAMIC PARAMETERS

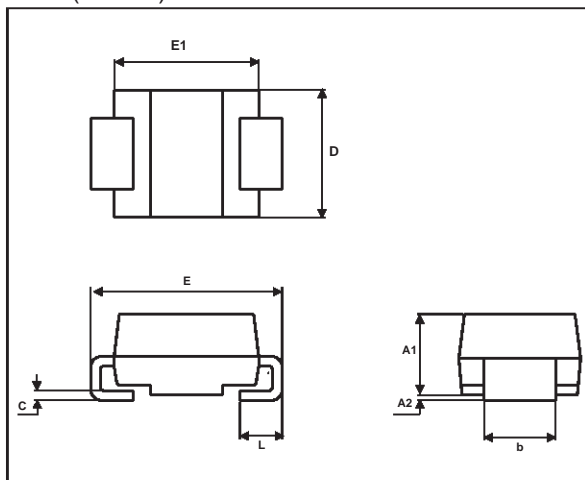


ORDER CODE



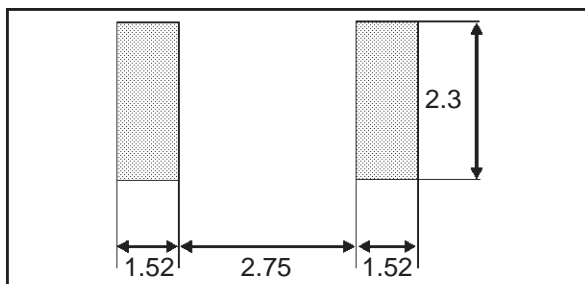
PACKAGE MECHANICAL DATA

SMB (Plastic)



REF.	DIMENSIONS			
	Millimeters		Inches	
	Min.	Max.	Min.	Max.
A1	1.90	2.45	0.075	0.096
A2	0.05	0.20	0.002	0.008
b	1.95	2.20	0.077	0.087
c	0.15	0.41	0.006	0.016
E	5.10	5.60	0.201	0.220
E1	4.05	4.60	0.159	0.181
D	3.30	3.95	0.130	0.156
L	0.75	1.60	0.030	0.063

FOOT PRINT (in millimeters)



Ordering type	Marking	Package	Weight	Base qty	Delivery mode
SMP100LC-140	L14	SMB	0.107g.	2500	Tape & Reel
SMP100LC-200	L20	SMB	0.107g	2500	Tape & Reel
SMP100LC-270	L27	SMB	0.107g	2500	Tape & Reel

Information furnished is believed to be accurate and reliable. However, STMicroelectronics assumes no responsibility for the consequences of use of such information nor for any infringement of patents or other rights of third parties which may result from its use. No license is granted by implication or otherwise under any patent or patent rights of STMicroelectronics. Specifications mentioned in this publication are subject to change without notice. This publication supersedes and replaces all information previously supplied. STMicroelectronics products are not authorized for use as critical components in life support devices or systems without express written approval of STMicroelectronics.

The ST logo is a registered trademark of STMicroelectronics

© 2000 STMicroelectronics - Printed in Italy - All rights reserved.

STMicroelectronics GROUP OF COMPANIES

Australia - Brazil - China - Finland - France - Germany - Hong Kong - India - Italy - Japan - Malaysia
Malta - Morocco - Singapore - Spain - Sweden - Switzerland - United Kingdom - U.S.A.

<http://www.st.com>