

# Product Parameters

Brand: Toocki

Name: 140W GaN Fast Charger

Model No: TCT140-40A

Material: PC

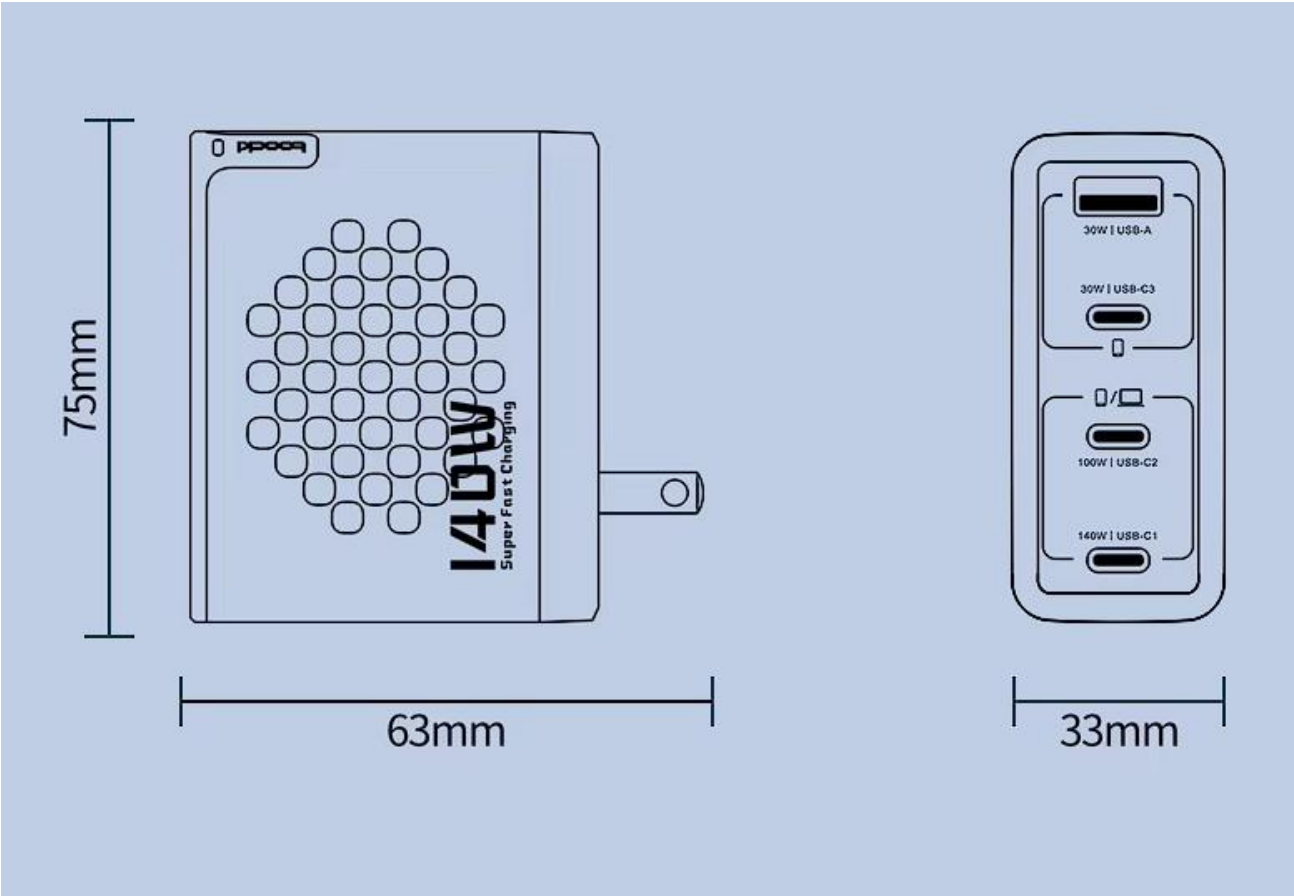
Input: 100-240V~50/60Hz, 2.0A

USB-C1 Output: 5.0V===3.0A, 9.0V===3.0A, 12.0V===3.0A,  
15.0V===3.0A, 28.0V===5.0A, 140.0W Max.

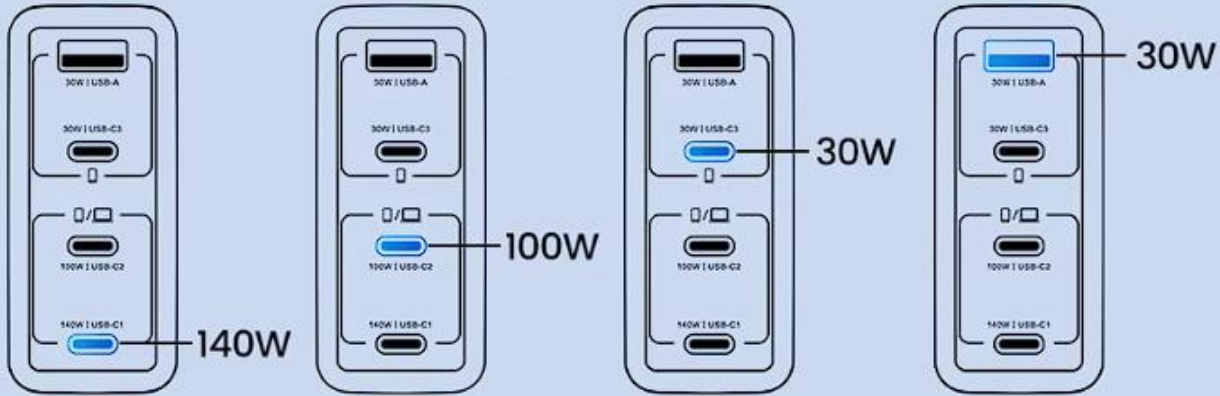
USB-C2 Output: 5.0V===3.0A, 9.0V===3.0A, 12.0V===3.0A,  
15.0V===3.0A, 20.0V===5.0A, 100.0W Max.

USB-C3 Output: 5.0V===3.0A, 9.0V===3.0A, 12.0V===2.5A,

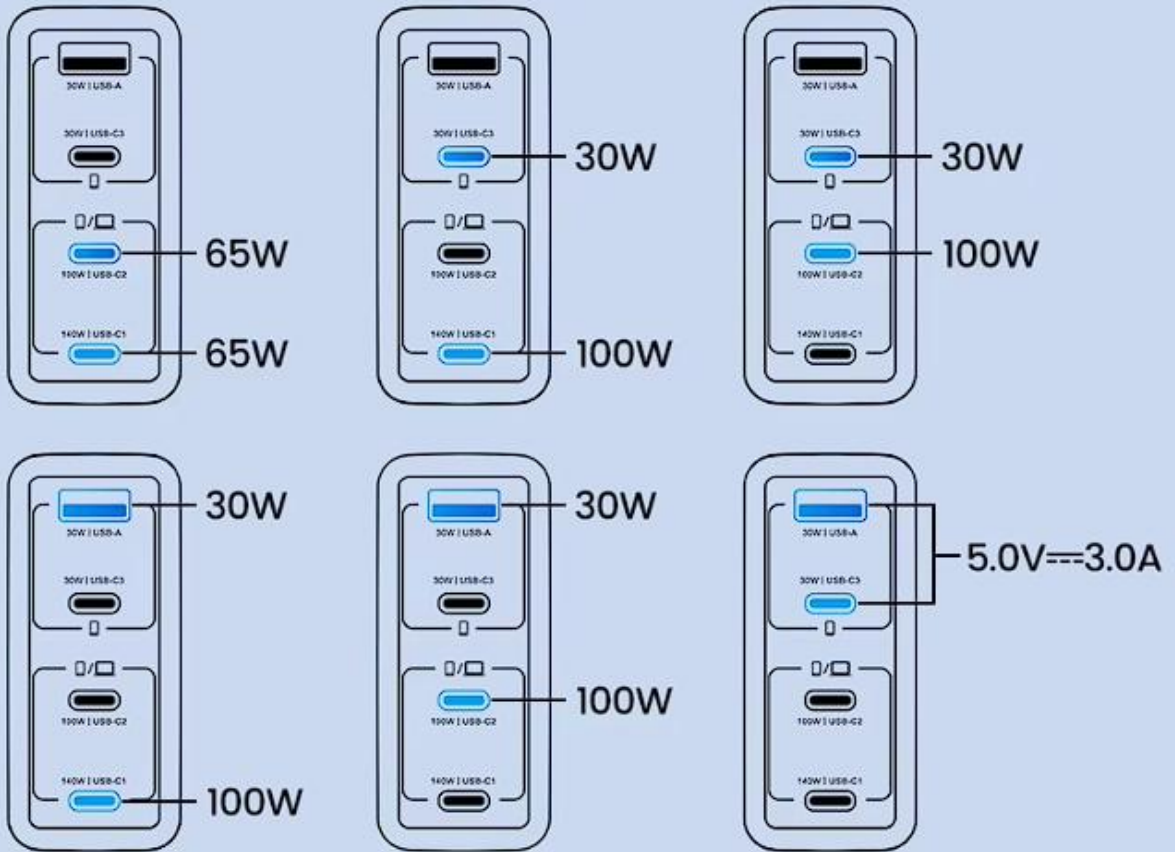
	15.0V==2.0A, 30.0W Max.
USB-A Output:	5.0V==3.0A, 9.0V==3.0A,
	12.0V==2.5A, 10.0V==2.25A, 30.0W Max.
USB-C1+USB-C2:	65.0W+65.0W (130.0W Max.)
USB-C1/USB-C2+USB-C3:	100.0W+30.0W (130.0W Max.)
USB-C1/USB-C2+USB-A:	100.0W+30.0W (130.0W Max.)
USB-C3+USB-A:	5.0V==3.0A (15.0W Max.)
USB-C1+USB-C2+USB-C3:	65.0W+45.0W+20.0W (130.0W Max.)
USB-C1+USB-C2+USB-A:	65.0W+45.0W+22.5W (132.5W Max.)
USB-C1/USB-C2+(USB-C3+USB-A):	100.0W+15.0W (115.0W Max.)
USB-C1+USB-C2+(USB-C3+USB-A):	65.0W+45.0W+15.0W (125.0W Max.)
Total Output:	140.0W Max.
Product Weight:	≈ 231g
Product Size:	About 75*63*33mm



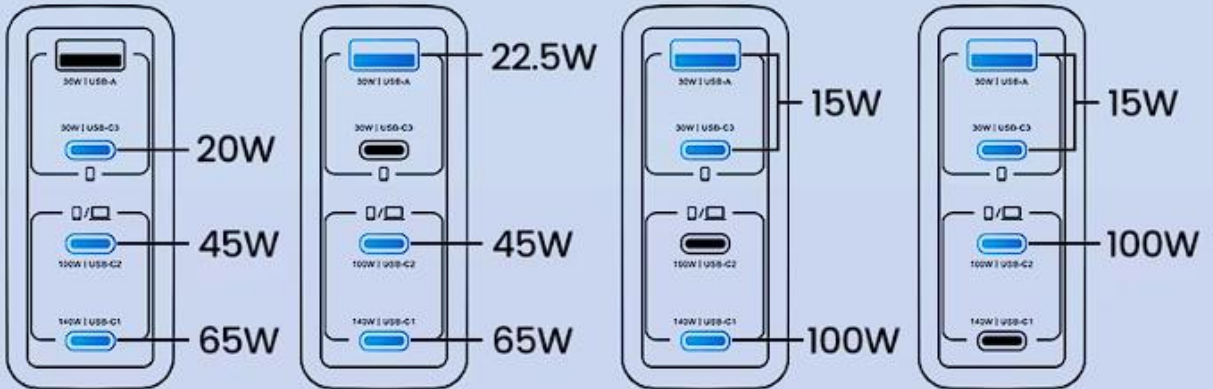
# Single-Port charging



# Two-Port charging



# Three-Port charging



# Four-Port charging

