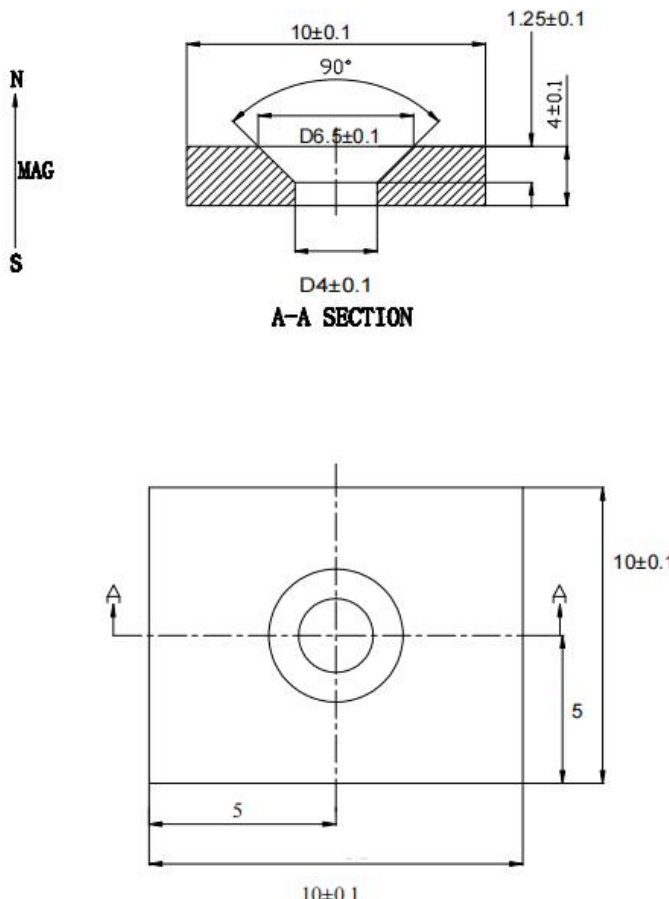


Technical Data Sheet

Specification	
 <p style="text-align: center;">A-A SECTION</p>	
Material	NdFeB
Grade	N38
Coating	NI-CU-NI
Size	L10*10*4-d6.5/4 mm
Magnetized direction	Through 4 mm direction
Weight	2.66 g/pc
Br	12.2 KGs
Coercive-Force Hcb	≥11.3 KOe
Intrinsic Coercive Force Hcj	≥12 KOe
(BH) Max	36 MGOe
Working Temperature	≤ 80°C



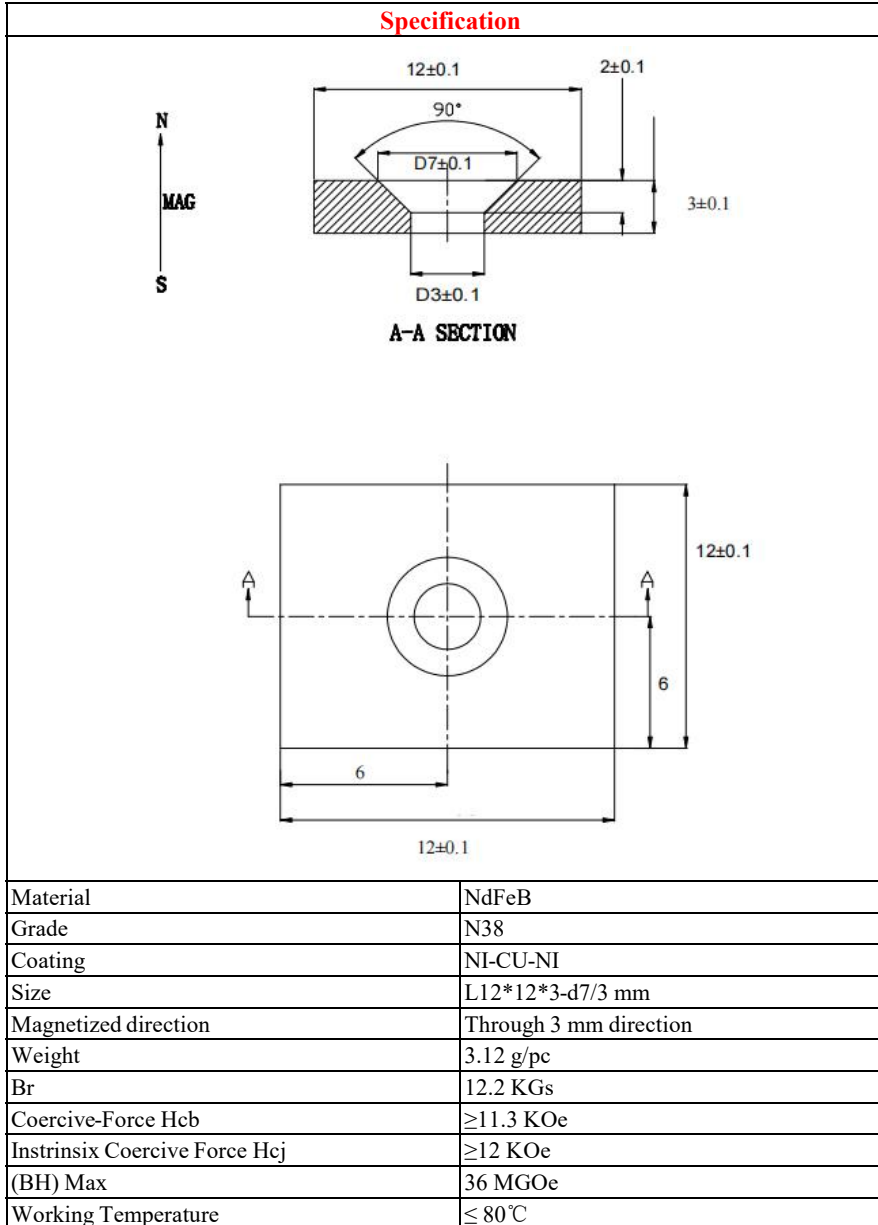
NINGBO BESTWAY M&E CO., LTD

Add: No. 225 Northern Section of Huancheng West Road, Ningbo, Zhejiang, China

Tel: 86-574-87504597 86-574-27788030 Fax: 86-574-87506697

E-mail: sales9@bwmagnet.com (Samantha) Website: www.bwmagnets.com

Technical Data Sheet





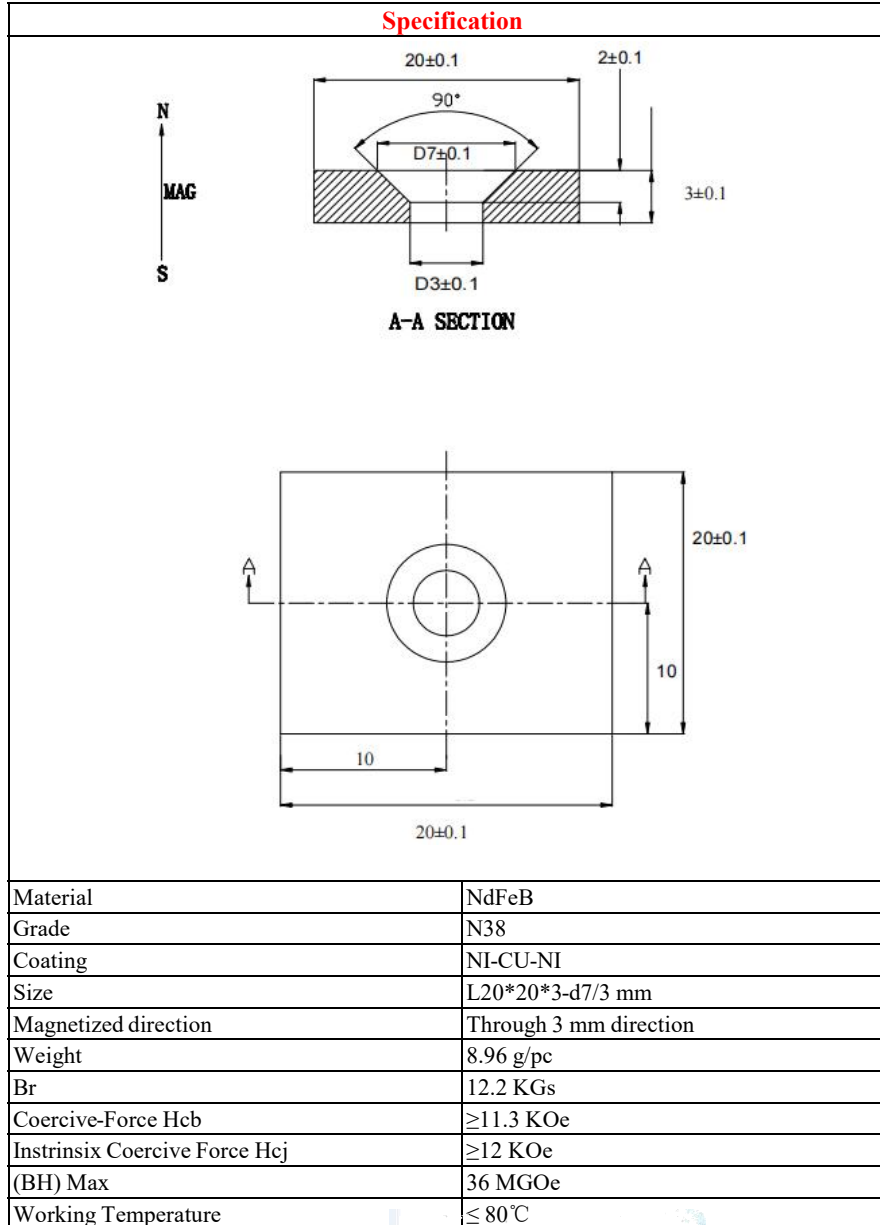
NINGBO BESTWAY M&E CO., LTD

Add: No. 225 Northern Section of Huancheng West Road, Ningbo, Zhejiang, China

Tel: 86-574-87504597 86-574-27788030 Fax: 86-574-87506697

E-mail: sales9@bwmagnet.com (Samantha) Website: www.bwmagnets.com

Technical Data Sheet



宁波贝威机电有限公司
NINGBO BESTWAY M&E CO., LTD

吕新民



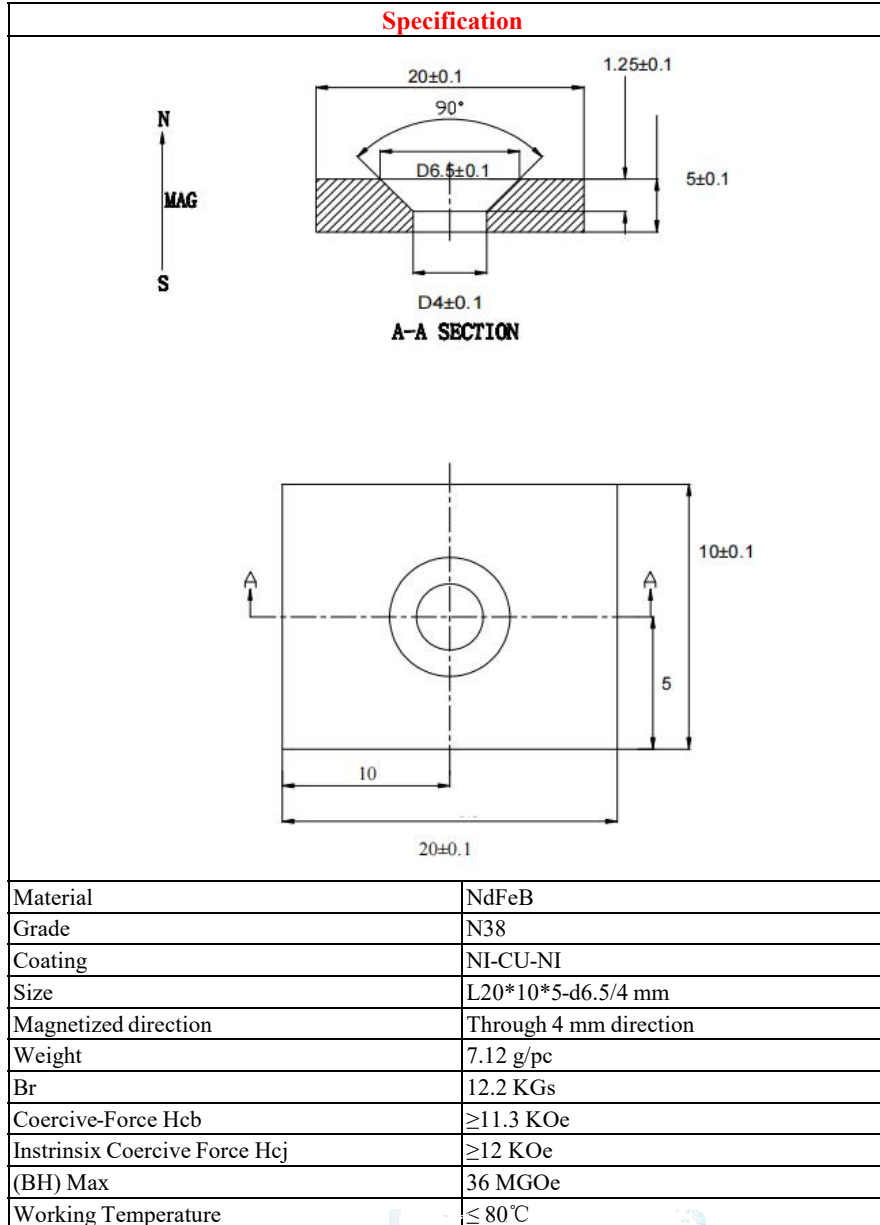
NINGBO BESTWAY M&E CO., LTD

Add: No. 225 Northern Section of Huancheng West Road, Ningbo, Zhejiang, China

Tel: 86-574-87504597 86-574-27788030 Fax: 86-574-87506697

E-mail: sales9@bwmagnet.com (Samantha) Website: www.bwmagnets.com

Technical Data Sheet



宁波贝威机电有限公司
NINGBO BESTWAY M&E CO., LTD

吕新民



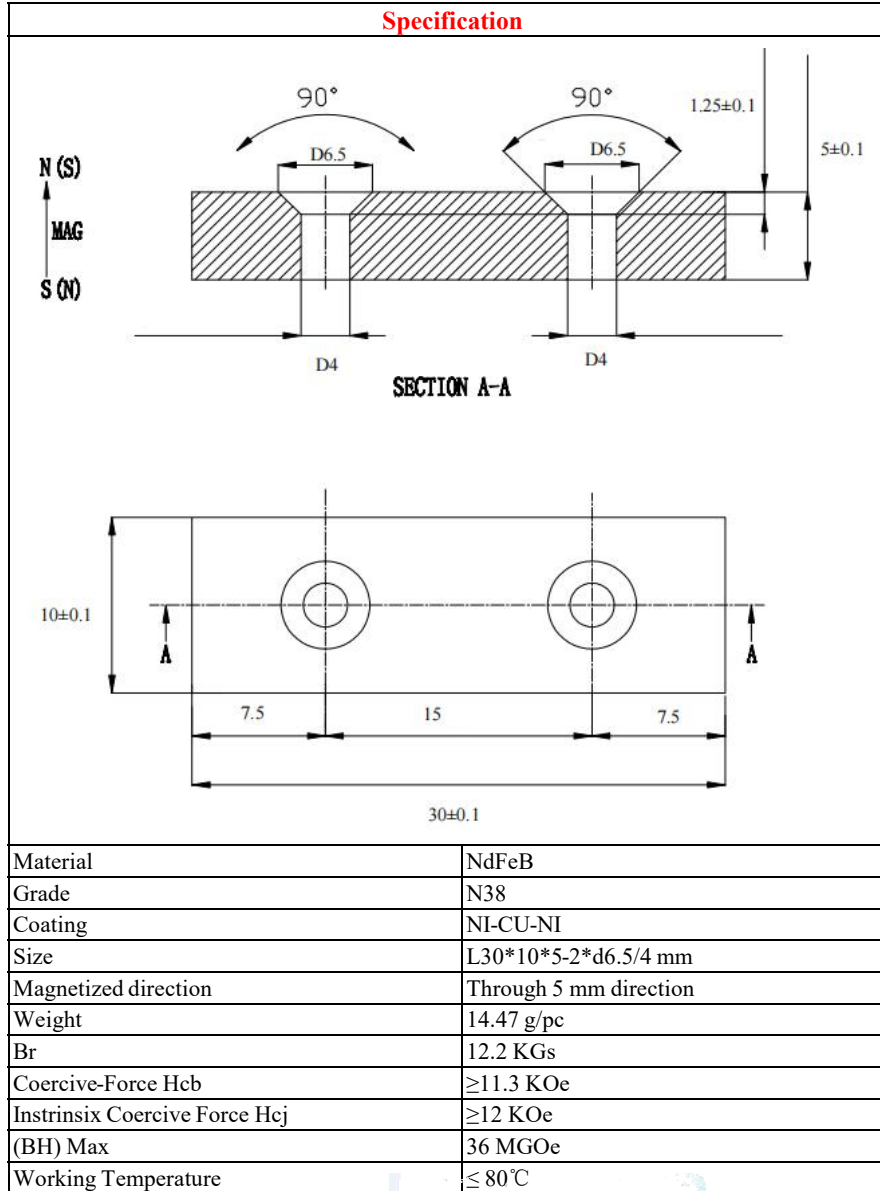
NINGBO BESTWAY M&E CO., LTD

Add: No. 225 Northern Section of Huancheng West Road, Ningbo, Zhejiang, China

Tel: 86-574-87504597 86-574-27788030 Fax: 86-574-87506697

E-mail: sales9@bwmagnet.com (Samantha) Website: www.bwmagnets.com

Technical Data Sheet



宁波贝威机电有限公司
NINGBO BESTWAY M&E CO., LTD

吕新民



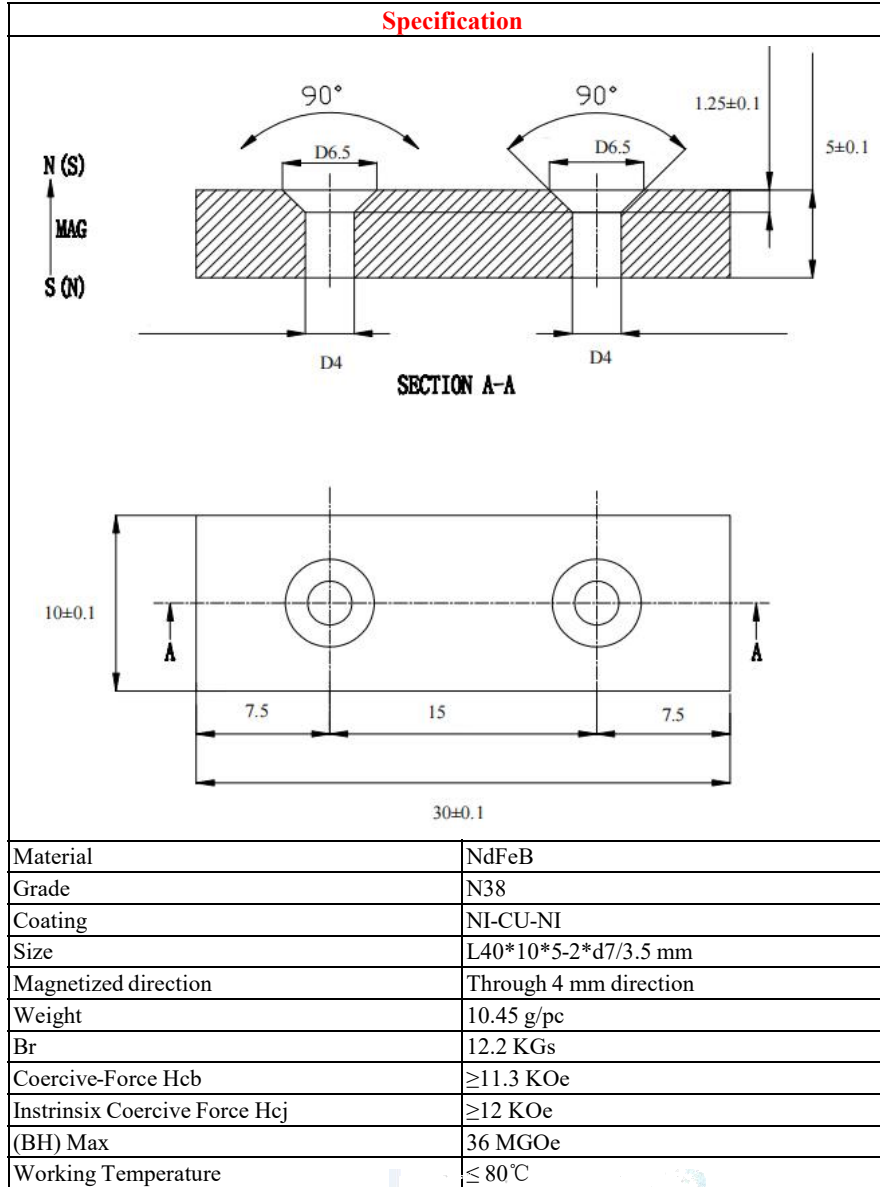
NINGBO BESTWAY M&E CO., LTD

Add: No. 225 Northern Section of Huancheng West Road, Ningbo, Zhejiang, China

Tel: 86-574-87504597 86-574-27788030 Fax: 86-574-87506697

E-mail: sales9@bwmagnet.com (Samantha) Website: www.bwmagnets.com

Technical Data Sheet



宁波贝威机电有限公司
NINGBO BESTWAY M&E CO.,LTD

吕新民



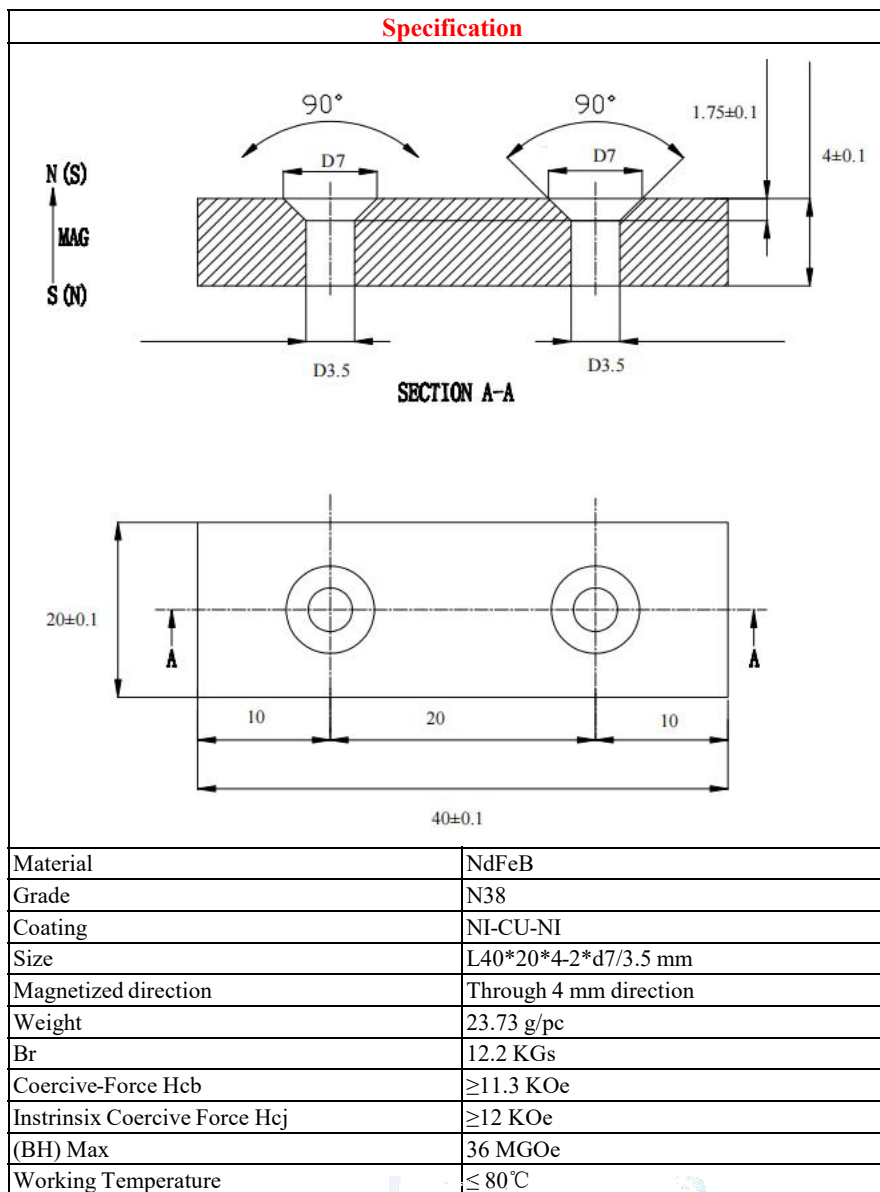
NINGBO BESTWAY M&E CO., LTD

Add: No. 225 Northern Section of Huancheng West Road, Ningbo, Zhejiang, China

Tel: 86-574-87504597 86-574-27788030 Fax: 86-574-87506697

E-mail: sales9@bwmagnet.com (Samantha) Website: www.bwmagnets.com

Technical Data Sheet



宁波贝威机电有限公司
NINGBO BESTWAY M&E CO., LTD

吕新民



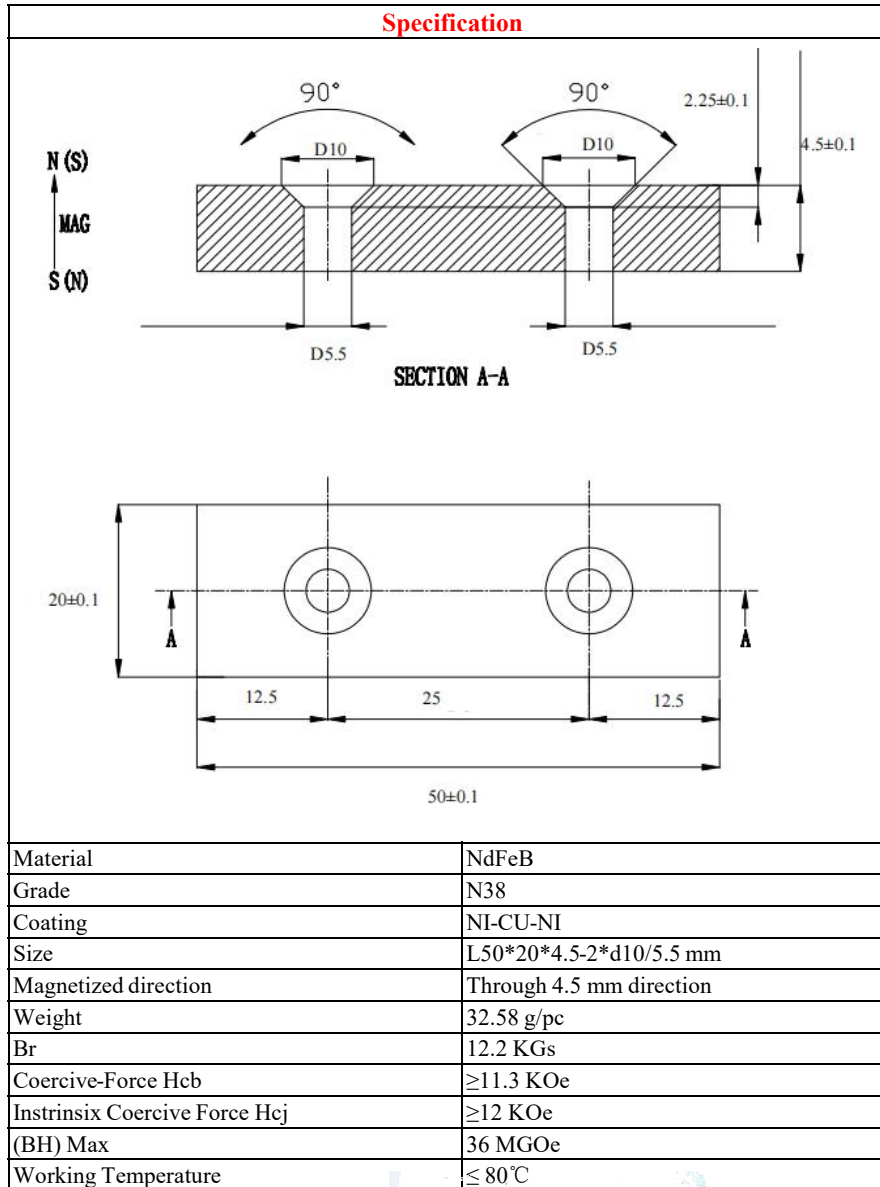
NINGBO BESTWAY M&E CO., LTD

Add: No. 225 Northern Section of Huancheng West Road, Ningbo, Zhejiang, China

Tel: 86-574-87504597 86-574-27788030 Fax: 86-574-87506697

E-mail: sales9@bwmagnet.com (Samantha) Website: www.bwmagnets.com

Technical Data Sheet



宁波贝威机电有限公司
NINGBO BESTWAY M&E CO.,LTD

吕新民