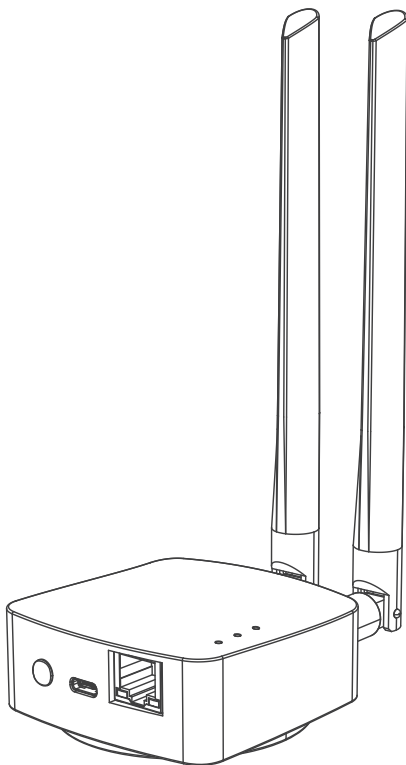




Quick Start Guide

for ThinkNode M7



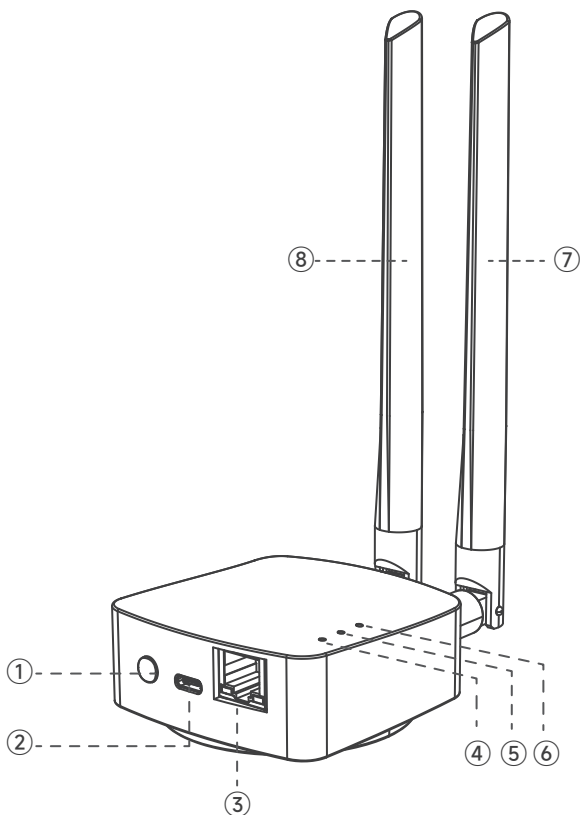
Scan the QR code to access product manuals and technical support.

ThinkNode M7
(Meshtastic)



FCC ID:2BDNA-TNM7

Device Part



① Reload Button

② USB-5V (Console)

③ Ethernet Port (10Mbps/100Mbps)

④ LINK Status LED

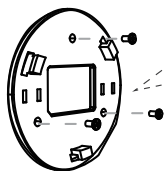
⑤ BT/LoRa Status LED

⑥ PWR Status LED

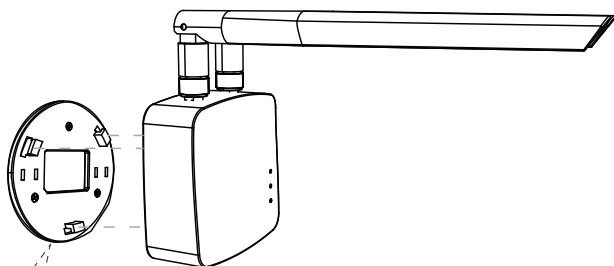
⑦ WLAN/BT Antenna

⑧ LoRa Antenna

Base Installation

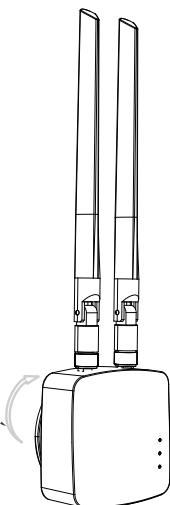


1. Secure the base to the wall or other target installation area using screws



2. Align the bottom slots of the ThinkNode M7 with the mounting pegs on the base

3. Rotate the ThinkNode M7 clockwise until it locks securely into position



Main Specifications

Product Name	ThinkNode M7
Power Supply	5V/1A (USB Type-C); PoE (IEEE 802.3af), 37V-57V DC
Weight	108 g
Dimensions	75*75*30mm (Excluding antenna)
Interfaces	Type-C (USB), RP-SMA (LoRa&WLAN/BT), RJ45 (WAN/LAN)
LoRa Sensitivity	-125dBm @125K/SF7, -139dBm @125K/SF12
LoRa TX Power	22dBm
WiFi	Support 2.4 GHz 802.11 b/g/n
Bluetooth	Dual-Mode Bluetooth-BR/EDR+BLE 5.0
Antenna Gain	LoRa: 4dBi External Antenna, WLAN/BT: 4dBi External Antenna

Parts List

- ThinkNode M7 x1
- LoRa Antenna x1
- WLAN/BT Antenna x1
- USB-A to USB-C Data Cable x1
- Base x1
- Quikc Start Guide x1



Made in China