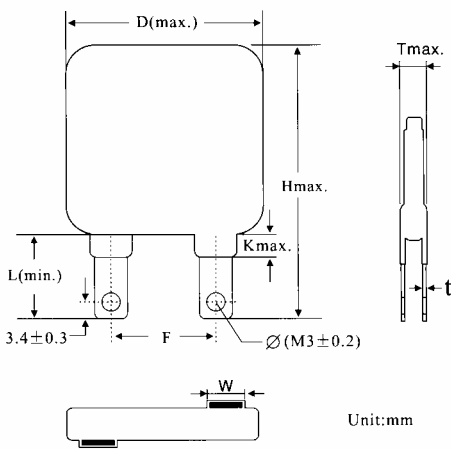


● **34S series**

| Model Number<br>34X34mm | Maximum Allowable Voltage |        | Varistor Voltage<br>V 1m<br>(V) | Clamping Voltage (MAX.) |        | Maximum Peak Current (8/20μs) |            | Maximum Energy (JOULE)<br>10/1000<br>μs | Typical Capacitance (Reference)<br>@1KHz<br>(pf) | UL | SP |
|-------------------------|---------------------------|--------|---------------------------------|-------------------------|--------|-------------------------------|------------|---|--|----|----|
|                         | AC (V)                    | DC (V) |                                 | VC (V)                  | IP (A) | 1 time (A)                    | 2 time (A) |   |  |    |    |
| VCR34S201K              | 130                       | 170    | 200(185-225)                    | 340                     | 300    | 40000                         | 30000      | 330                                     | 8000   | *  | *  |
| VCR34S221K              | 140                       | 180    | 220(198-242)                    | 360                     |        |                               |            | 360                                     | 7800   | *  | *  |
| VCR34S241K              | 150                       | 200    | 240(216-264)                    | 395                     |        |                               |            | 390                                     | 7600   | *  | *  |
| VCR34S271K              | 175                       | 225    | 270(243-297)                    | 455                     |        |                               |            | 420                                     | 7200   | *  | *  |
| VCR34S331K              | 210                       | 275    | 330(297-363)                    | 550                     |        |                               |            | 500                                     | 6400   | *  | *  |
| VCR34S361K              | 230                       | 300    | 360(324-396)                    | 595                     |        |                               |            | 510                                     | 6000   | *  | *  |
| VCR34S391K              | 250                       | 320    | 390(351-429)                    | 650                     |        |                               |            | 530                                     | 4800   | *  | *  |
| VCR34S431K              | 275                       | 350    | 430(387-473)                    | 710                     |        |                               |            | 600                                     | 4600   | *  | *  |
| VCR34S471K              | 300                       | 385    | 470(423-517)                    | 775                     |        |                               |            | 650                                     | 4100   | *  | *  |
| VCR34S511K              | 320                       | 415    | 510(459-561)                    | 845                     |        |                               |            | 700                                     | 4000   | *  | *  |
| VCR34S561K              | 350                       | 460    | 560(504-616)                    | 925                     |        |                               |            | 730                                     | 3800   | *  | *  |
| VCR34S621K              | 385                       | 505    | 620(558-682)                    | 1025                    |        |                               |            | 780                                     | 3600   | *  | *  |
| VCR34S681K              | 420                       | 560    | 680(612-748)                    | 1120                    |        |                               |            | 810                                     | 3300   | *  | *  |
| VCR34S751K              | 460                       | 615    | 750(675-825)                    | 1240                    |        |                               |            | 850                                     | 3000   | *  | *  |
| VCR34S781K              | 485                       | 640    | 780(702-858)                    | 1290                    |        |                               |            | 930                                     | 2850   | *  | *  |
| VCR34S821K              | 510                       | 670    | 820(738-902)                    | 1355                    |        |                               |            | 970                                     | 2700   | *  | *  |
| VCR34S911K              | 550                       | 745    | 910(819-1001)                   | 1500                    |        |                               |            | 1050                                    | 2100   | *  | *  |
| VCR-34S951K             | 575                       | 765    | 950(855-1045)                   | 1570                    |        |                               |            | 1080                                    | 1900   | *  | *  |
| VCR34S102K              | 625                       | 825    | 1000(900-1100)                  | 1650                    |        |                               |            | 1120                                    | 1700   | *  | *  |
| VCR34S112K              | 680                       | 895    | 1100(990-1210)                  | 1815                    |        |                               |            | 1250                                    | 1520   | *  | *  |
| VCR34S122K              | 750                       | 990    | 1200(1080-1320)                 | 1980                    | 1250   | 1400                          |            | *                                       |  |    |    |
| VCR34S142K              | 880                       | 1140   | 1400(1260-1540)                 | 2310                    | 1400   | 1250                          |            | *                                       |  |    |    |
| VCR34S162K              | 1000                      | 1280   | 1600(1440-1760)                 | 2640                    | 1500   | 1100                          |            | *                                       |  |    |    |



|            |          |
|------------|----------|
| D (max.)   | 44       |
| H (max.)   | 56.6     |
| T (max.)   | Ref.Tab1 |
| F (±0.5)   | 25.4     |
| t (±0.1)   | 0.5      |
| L (min.)   | 16.5     |
| K (max.)   | 3.18     |
| W (±0.5)   | 7.0      |
| Ø (M3±0.2) | 3.8      |

Tab1.

|       |          |
|-------|----------|
| Model | T (max.) |
| 201K  | 6.2      |

Tab1.

|       |          |       |          |
|-------|----------|-------|----------|
| Model | T (max.) | Model | T (max.) |
| 221K  | 6.3      | 681K  | 8.7      |
| 241K  | 6.4      | 751K  | 9.4      |
| 271K  | 6.6      | 781K  | 9.6      |
| 331K  | 6.9      | 821K  | 9.8      |
| 361K  | 7.1      | 911K  | 10.4     |
| 391K  | 7.3      | 951K  | 10.6     |
| 431K  | 7.5      | 102K  | 11.2     |
| 471K  | 7.8      | 112K  | 11.8     |
| 511K  | 8.0      | 122K  | 12.3     |
| 621K  | 8.7      | 142K  | 13.3     |
| 681K  | 9.0      | 162K  | 14.3     |