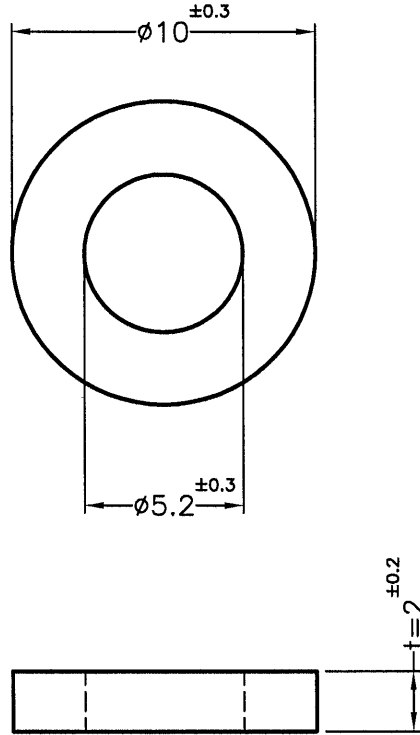





REVISIONS			
REV	DESCRIPTION	DATE	BY



PART NO.	MATERIAL
WS5-2	NATURAL
WS5-2(B)	BLACK

NOTE:MADE OF EQUIVALENT MATERIAL.
均可使用同等材質。



 <p>康揚企業股份有限公司 KANG YANG HARDWARE ENTERPRISE CO., LTD. 康揚塑膠(東莞)有限公司 KANG YANG PLASTIC(DONG GUAN) CO., LTD. 康哲電腦配件(吳江)有限公司 KANG CHE COMPUTER COMPONENTS(WUJIANG) CO., LTD.</p>	TITLE		WASHER		SPEC. DWG.			
	MATERIAL		NYLON 66 UL94V-2		DATE		2002.10.14	
	FINISH				DRAWN		JASON	
	COLOR		SEE ABOVE		CHECK			
PART NUMBER		DRAWING NUMBER		UNLESS OTHERWISE SPECIFIED TOLERANCE		APPROVED		
SEE ABOVE		WS5-2		SEE ABOVE				
SIZE	SCALE	UNIT	REV					
A4	4:1	mm	C					