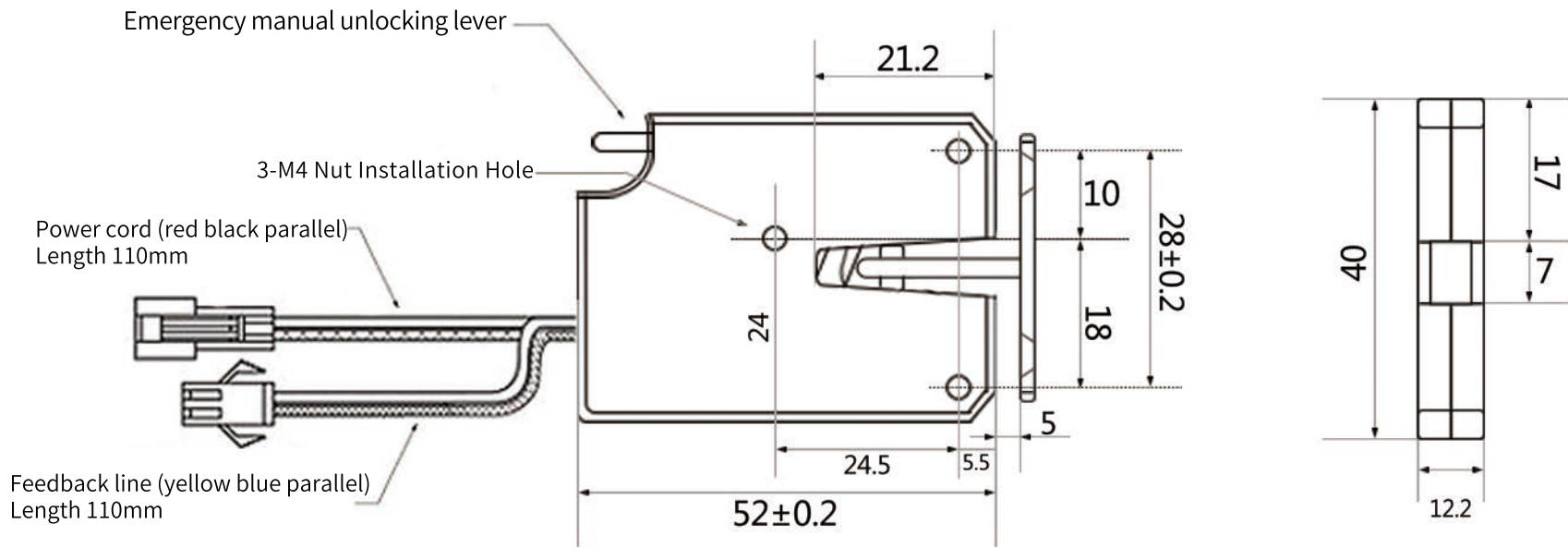


Voltage	DC3V	DC5V	DC12V
electric current	0.8A	0.8A	0.8A
power	2.4W	4W	9.6W
Power on time	500ms		
Unlock elasticity	1-2KG		
Working mode	Power on unlocking/power off locking		
Specific performance	/		
Dielectric Strength	600VAC/1Sec		
Insulation impedance	500VDC/100M $\Omega$		
Insulation level	F级 (155 $^{\circ}$ C)		
Usage environment	-20 $^{\circ}$ C ~ +40 $^{\circ}$ C , RH 5 ~ 90%		
Microswitch status	Door closing conduction (connected to NC)		



RECOGNITION	DESIGNER	CONFIRMOR	VERSION	CHANGE CONTENT	CHANGE PERSON	DATE	The materials and surface treatments used in this product are in compliance with ROHS specifications		General tolerance		THIRD PERSPECTIVE		
							LESS THAN 60	$\pm 0.1$	PROPORTION	1:1		MODEL	XG-07E (Fourth line) Plastic miniature titanium wire
							6~30	$\pm 0.2$	UNIT				
							30~60	$\pm 0.3$	mm			Appearance size chart	
							GREATER THAN 60	$\pm 0.4$	THICKNESS	Ra3.2	R ANGLE		
								$\pm 0.1$	CONCENTRICITY	0.1	CHAMFER		
								$\pm 0.1$	FLATNESS				
								$\pm 0.1$	VERTICALITY	0.1*45 $^{\circ}$			

**SARY**