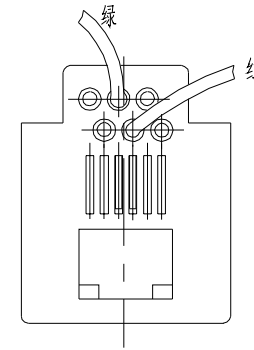
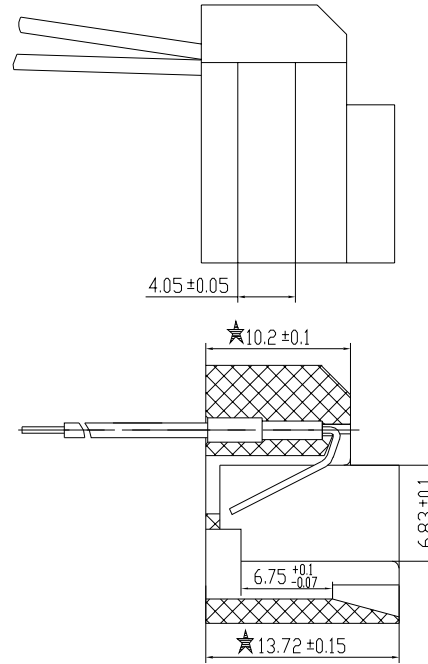
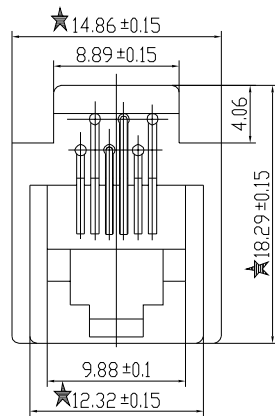


YH-101

REV.	ECN NO.	DATE



NOTES:

1. ELECTRICAL:
  - 1.1 VOLTAGE RATING: 125 VAC RMS;
  - 1.2 CURRENT RATING: 1.5 AMP;
  - 1.3 CONTACT RESISTANCE: 20 MILLIOHMS Max;
  - 1.4 INSULATION RESISTANCE: 1000 MEGOHMS Min @500 VDC;
  - 1.5 DIELECTRIC STRENGTH: 1000 VAC RMS 50 or 60Hz 1 Minute;
2. MECHANICAL:
  - 2.1 HOUSING: ABS. UL94V-0. GRAY;
  - 2.2 TERMINALS: DIA 0.46 PHOSPHOR BRONZE PLATED 3u" Au;
  - 2.3 DURABILITY: 750 CYCLES Min.
3. ★ Critical Dimension.

RoHS Compliant

<b>CZT® 意华通讯接插件有限公司</b> YIHUA COMMUNICATED CONNECTOR CO.,LTD.				TOLERANCES 0~15: ± 0.15 15~30: ± 0.20 30~ : ± 0.25 ANGLES: ± 1°	MATERIAL: SEE NOTE	Designed:	NAME: 623K 6P2C	
FIRST ANGLE PROJECTION	SIZE	SCALE: 2:1	UNIT: mm		FINISH:	Checked:	DWG NO.: Q07081001	REV
CUSTOMER: MODEL NO.:					SHEET 1 OF 1	Approved:	PART NO.: B215N-6203-F015	00