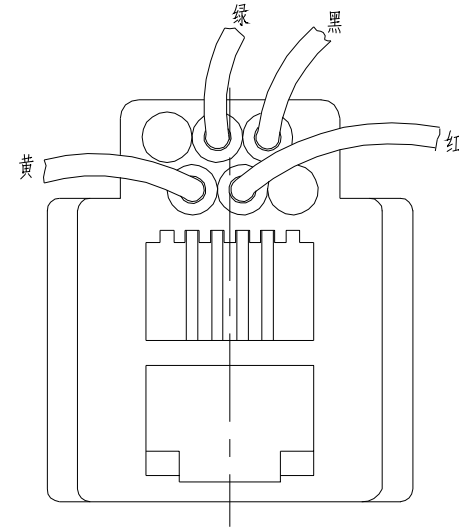
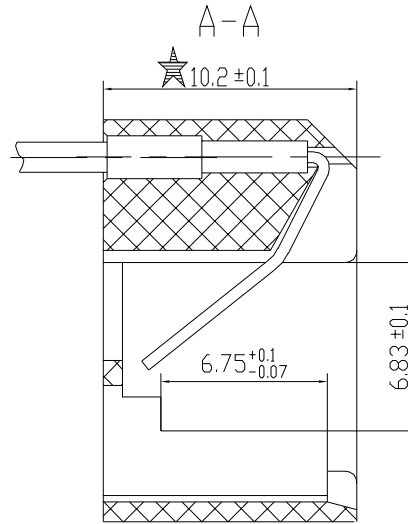
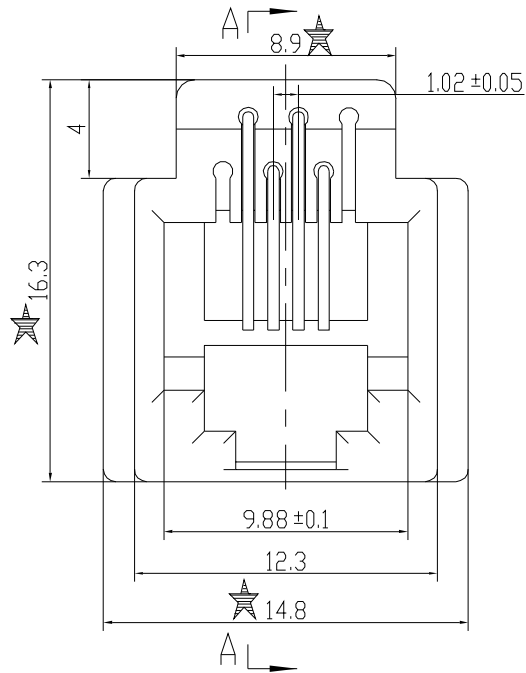


YH-107

REV.	ECN NO.	DATE



- NOTES:
- ELECTRICAL:
 - VOLTAGE RATING: 125 VAC RMS;
 - CURRENT RATING: 1.5 AMP;
 - CONTACT RESISTANCE: 20 MILLIOHMS Max;
 - INSULATION RESISTANCE: 1000 MEGOHMS Min @500 VDC;
 - DIELECTRIC STRENGTH: 1000 VAC RMS 50 or 60Hz 1 Minute;
 - MECHANICAL:
 - HOUSING: ABS, UL94V-0, GRAY;
 - TERMINALS: DIA 0.46 PHOSPHOR BRONZE PLATED 3u" Au;
 - DURABILITY: 750 CYCLES Min.
 - ★ Critical Dimension.

RoHS Compliant

CZT® 意华通讯接插件有限公司 YIHUA COMMUNICATED CONNECTOR CO.,LTD.		TOLERANCES 0~15 ±0.15, 15~30 ±0.2, 30~ ±0.25 ANGLE ±1°.		MATERIAL: SEE NOTE Designed:		NAME: 623MS 6P4C	
FIRST ANGLE PROJECTION	SCALE 4 SIZE 3.5:1	UNIT mm	CUSTOMER:	FINISH:	Checked:	DWG NO.: Q07081007	REV
MODEL NO.:		SHEET 1 OF 1	Approved:	PART NO.: B216N-6403-F002		00	