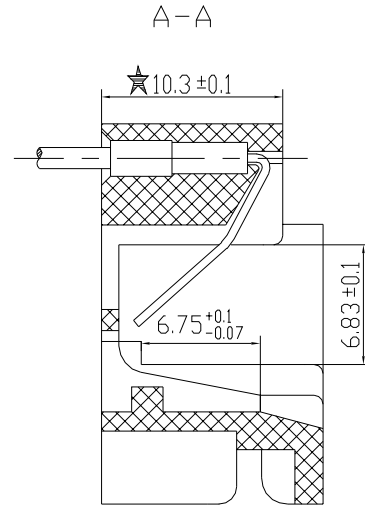
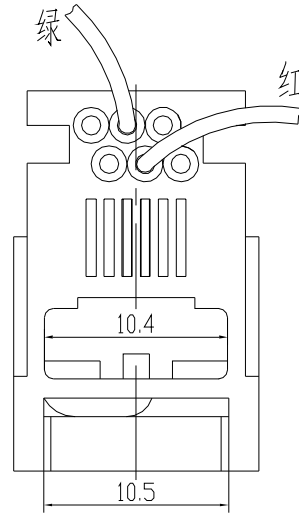
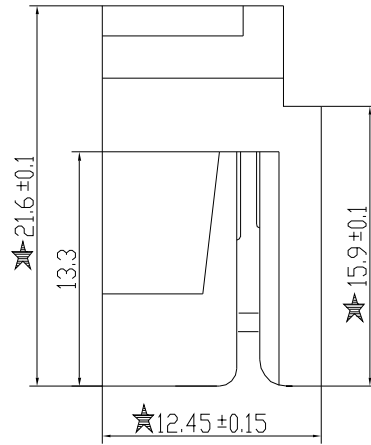
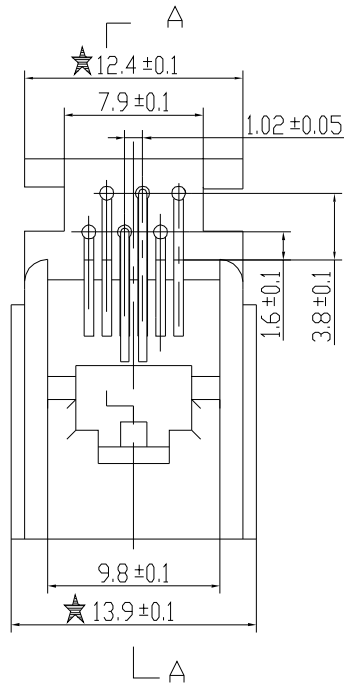


YH-108

| | | |
|------|---------|------|
| REV. | ECN NO. | DATE |
| | | |



NOTES:

1. ELECTRICAL:
 - 1.1 VOLTAGE RATING: 125 VAC RMS;
 - 1.2 CURRENT RATING: 1.5 AMP;
 - 1.3 CONTACT RESISTANCE: 20 MILLIOHMS Max;
 - 1.4 INSULATION RESISTANCE: 1000 MEGOHMS Min @500 VDC;
 - 1.5 DIELECTRIC STRENGTH: 1000 VAC RMS 50 or 60Hz 1 Minute;
2. MECHANICAL:
 - 2.1 HOUSING: ABS, UL94V-0, GRAY;
 - 2.2 TERMINALS: DIA 0.46 PHOSPHOR BRONZE PLATED 3u" Au;
 - 2.3 DURABILITY: 750 CYCLES Min.
3. ★ Critical Dimension.

RoHS Compliant

| | | | | | | |
|---|--|---------|--------------------|--------------|--------------------|---------------------------|
| 意华通讯接插件有限公司 YIHUA COMMUNICATED CONNECTOR CO.,LTD. | TOLERANCES | | MATERIAL: SEE NOTE | Designed: | NAME: 623P 6P2C | |
| | 0~15 ±0.15, 15~30 ±0.2, 30~±0.25 | | FINISH: | Checked: | DWG NO.: Q07081008 | REV |
| FIRST ANGLE PROJECTION | SCALE 2.5:1 | UNIT mm | CUSTOMER: | SHEET 1 OF 1 | Approved: | PART NO.: B217N-6203-F003 |
| MODEL NO.: | ANGLE ±1°. | | | | | 00 |