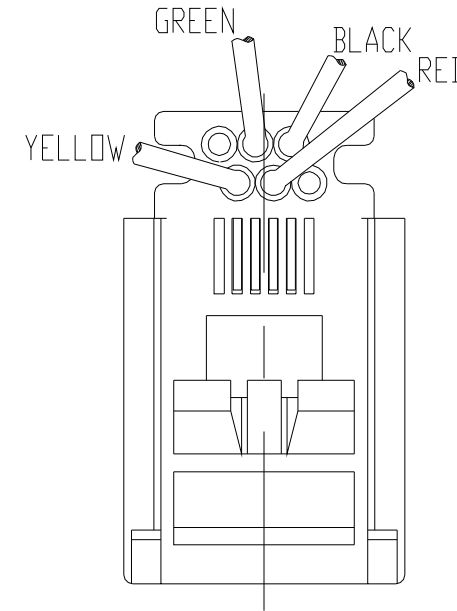
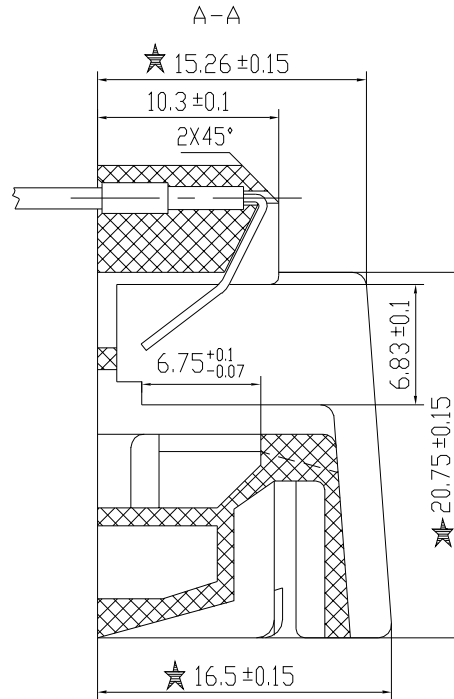
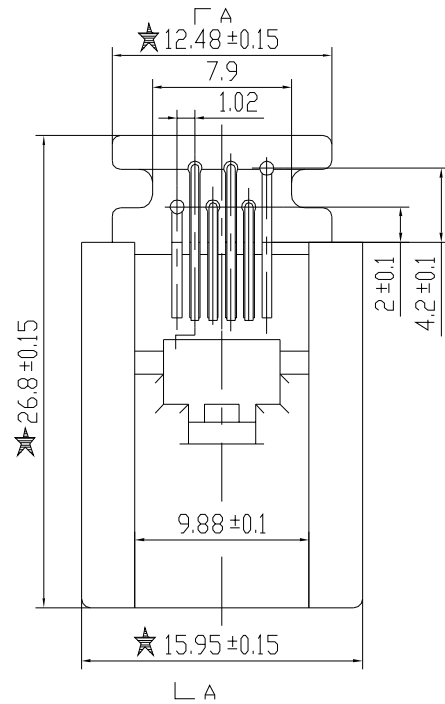


YH-110

REV.	ECN NO.	DATE



- NOTES:
- ELECTRICAL:
    - VOLTAGE RATING: 125 VAC RMS;
    - CURRENT RATING: 1.5 AMP;
    - CONTACT RESISTANCE: 20 MILLIOHMS Max;
    - INSULATION RESISTANCE: 1000 MEGOHMS Min @500 VDC;
    - DIELECTRIC STRENGTH: 1000 VAC RMS 50 or 60Hz 1 Minute;
  - MECHANICAL:
    - HOUSING: ABS, UL94V-0, GRAY;
    - PIN: DIA 0.46 PHOSPHOR BRONZE PLATED 3u" Au;
    - TERMINALS: H65Y;
    - WIRE: UL 1061 AWG26, JACKET: PVC, COLOR: GREEN BLACK YELLOW RED;
    - DURABILITY: 750 CYCLES Min.
  - ★ Critical Dimension.

RoHS Compliant

<b>CZT® 意华通讯接插件有限公司</b> YIHUA COMMUNICATED CONNECTOR CO.,LTD.		TOLERANCES 0~15±0.15, 15~30±0.2, 30~±0.25 ANGLE ±1°.		MATERIAL: SEE NOTE FINISH: SEE NOTE SHEET 1 OF 1		Designed: Checked: Approved:		NAME: 623D 6P4C DWG NO.: Q07082201 PART NO.: B214N-6403-F001		REV 00
FIRST ANGLE PROJECTION	SCALE 2.5:1 UNIT mm	CUSTOMER: MODEL NO.:								