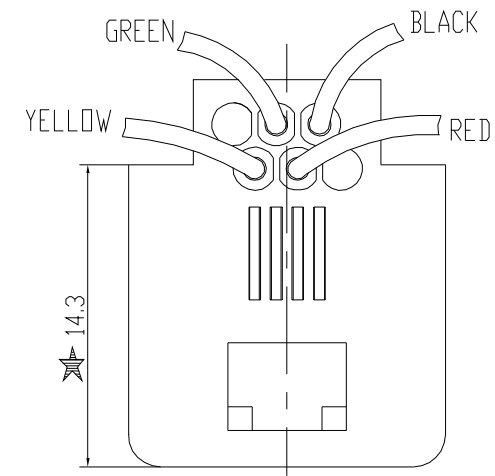
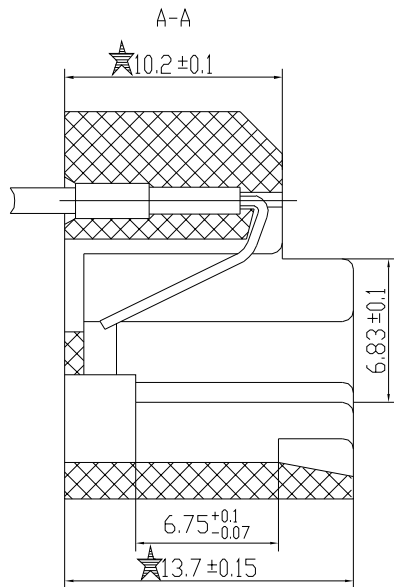
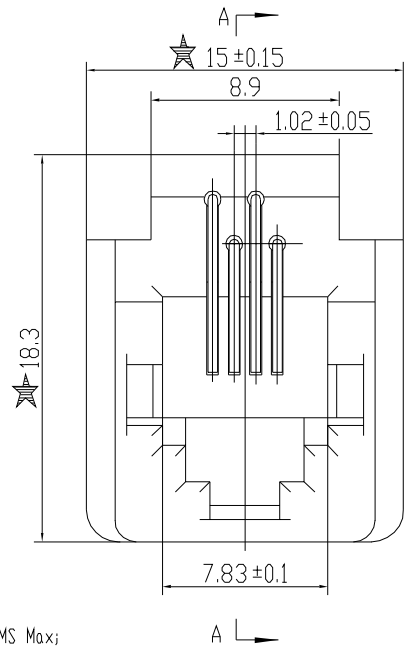


YH-112

REV.	ECN NO.	DATE



- NOTES:
- ELECTRICAL:
 - VOLTAGE RATING: 125 VAC RMS;
 - CURRENT RATING: 1.5 AMP;
 - CONTACT RESISTANCE: 20 MILLIOHMS Max;
 - INSULATION RESISTANCE: 1000 MEGOHMS Min @500 VDC;
 - DIELECTRIC STRENGTH: 1000 VAC RMS 50 or 60Hz 1 Minute;
 - MECHANICAL:
 - HOUSING: ABS, UL94V-0, GRAY;
 - PIN: DIA 0.46 PHOSPHOR BRONZE PLATED 3u" Au;
 - TERMINALS: H65Y;
 - WIRE: UL 1061 AWG26, JACKET: PVC, COLOR: GREEN BLACK YELLOW RED;
 - DURABILITY: 750 CYCLES Min.
3. ★ Critical Dimension.

RoHS Compliant

CZT® 意华通讯接插件有限公司
YIHUA COMMUNICATED CONNECTOR CO.,LTD.

FIRST ANGLE PROJECTION	SCALE	UNIT	CUSTOMER:
SIZE	3:1	mm	MODEL NO.:

TOLERANCES
0~15±0.15,
15~30±0.2,
30~±0.25
ANGLE ±1°.

MATERIAL: SEE NOTE
FINISH: SEE NOTE
SHEET 1 OF 1

Designed:
Checked:
Approved:

NAME: 616K 4P4C
DWG NO.: Q07082102
PART NO.: B205N-4403-F001

REV