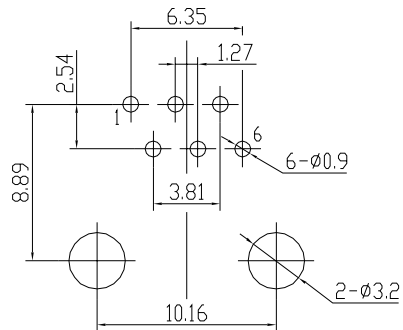
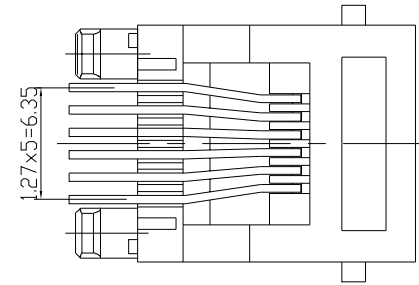
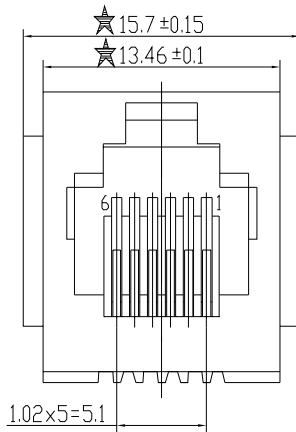


YH-52-04

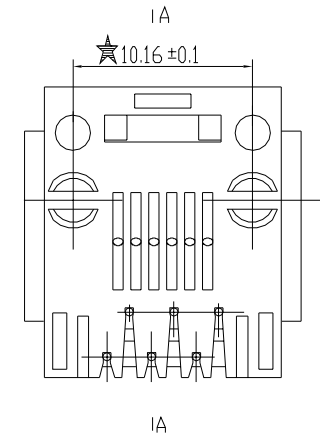
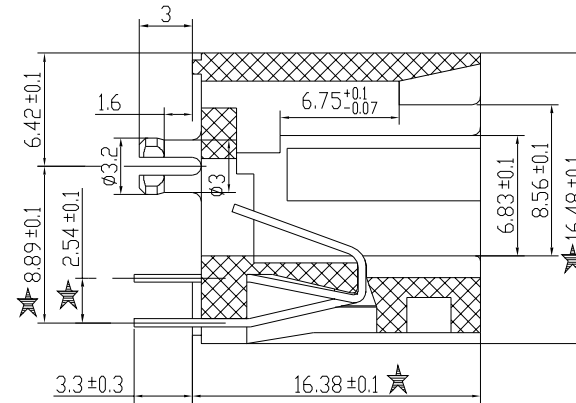
REV.	ECN NO.	DATE



PCB LAYOUT



A-A



NOTES:

1. ELECTRICAL:
  - 1.1 VOLTAGE RATING: 125 VAC RMS;
  - 1.2 CURRENT RATING: 1.5 AMP;
  - 1.3 CONTACT RESISTANCE: 20 MILLIOHMS Max;
  - 1.4 INSULATION RESISTANCE: 1000 MEGOHMS Min @500 VDC;
  - 1.5 DIELECTRIC STRENGTH: 1000 VAC RMS 50 or 60Hz 1 Minute;
2. MECHANICAL:
  - 2.1 HOUSING: PBT, UL94V-0, BLACK;
  - 2.2 TERMINALS: DIA 0.46 PHOSPHOR BRONZE PLATED 3µ Au;
  - 2.3 DURABILITY: 750 CYCLES Min.
3. ★Critical Dimension.

RoHS Compliant

<b>CZT® 意华通讯接插件有限公司</b> YIHUA COMMUNICATED CONNECTOR CO.,LTD.		TOLERANCES 0~15±0.15, 15~30±0.2, 30~±0.25 ANGLE ±1°.		MATERIAL: SEE NOTE FINISH: SEE NOTE SHEET 1 OF 1		Designed: Checked: Approved:		NAME: 5222 6P6C (split peg) DWG NO.: Q07081304 PART NO.: B522N-6603-M018		REV 00
		SCALE 2.5:1	UNIT mm	CUSTOMER: MODEL NO.:						