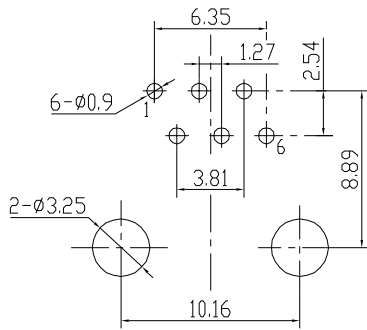
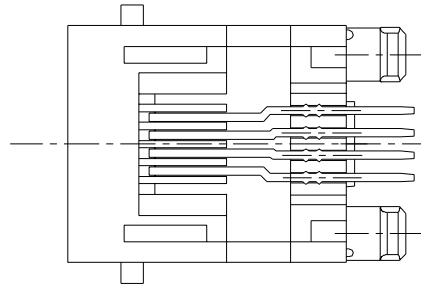
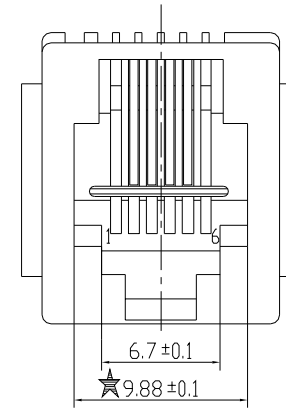
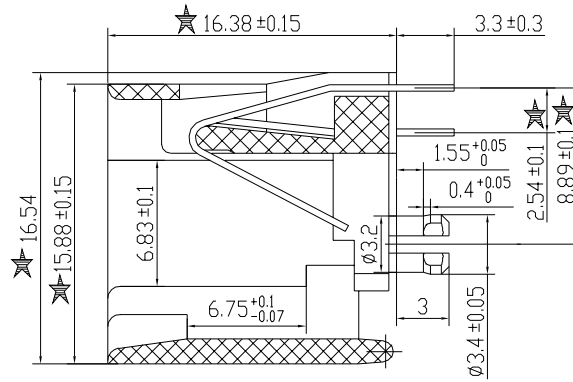
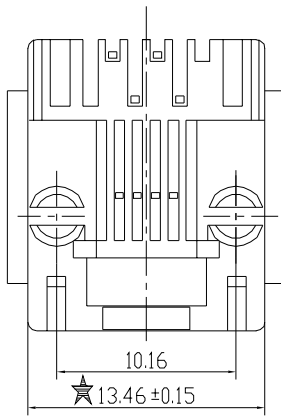


YH-52-31

REV.	ECN NO.	DATE



PCB LAYOUT

- NOTES:
- ELECTRICAL:
 - VOLTAGE RATING: 125 VAC RMS;
 - CURRENT RATING: 1.5 AMP;
 - CONTACT RESISTANCE: 20 MILLIOHMS Max;
 - INSULATION RESISTANCE: 1000 MEGOHMS Min @500 VDC;
 - DIELECTRIC STRENGTH: 1000 VAC RMS 50 or 60Hz 1 Minute;
 - MECHANICAL:
 - HOUSING: PBT, UL94V-0, BLACK;
 - TERMINALS: 0.36*0.46 PHOSPHOR BRONZE PLATED 3u" Au;
 - DURABILITY: 750 CYCLES Min.
3. ★ Critical Dimension.

RoHS Compliant

CZT® 意华通讯连接器有限公司 YIHUA COMMUNICATED CONNECTOR CO.,LTD.		TOLERANCES 0~15 ± 0.15, 15~30 ± 0.2, 30~ ± 0.25 ANGLE ± 1°.		MATERIAL: SEE NOTE FINISH: SEE NOTE SHEET 1 OF 1		Designed: Checked: Approved:		NAME: 5223 6P4C DWG NO.: Q07081306 PART NO.: B523N-6403-M001		REV 00
FIRST ANGLE PROJECTION	SCALE 4 SIZE 2.5:1	UNIT mm	CUSTOMER: MODEL NO.:							