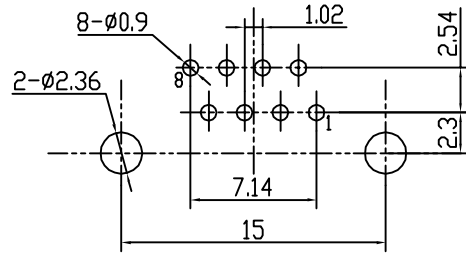
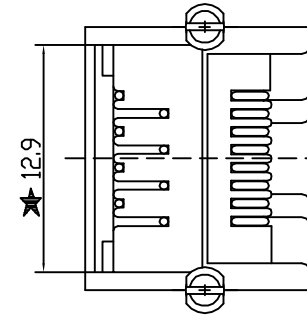


YH-55-05

REV.	ECN NO.	DATE

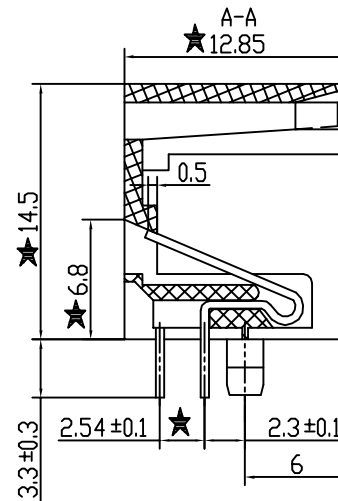
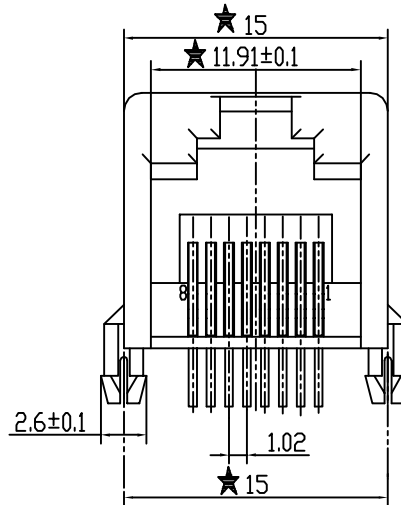


PCB LAYOUT



NOTES:

1. ELECTRICAL:
  - 1.1 VOLTAGE RATING: 125 VAC RMS;
  - 1.2 CURRENT RATING: 1.5 AMP;
  - 1.3 CONTACT RESISTANCE: 20 MILLIOHMS Max;
  - 1.4 INSULATION RESISTANCE: 1000 MEGOHMS Min @500 VDC;
  - 1.5 DIELECTRIC STRENGTH: 1000 VAC RMS 50 or 60Hz 1 Minute;
2. MECHANICAL:
  - 2.1 HOUSING: PBT, UL94V-0, GRAY;
  - 2.2 TERMINALS: DIA 0.46 PHOSPHOR BRONZE PLATED 3u" Au;
  - 2.3 DURABILITY: 750 CYCLES Min.
3. \*\*Critical Dimension.



RoHS Compliant

<b>意华通讯接插件有限公司</b> YIHUA COMMUNICATED CONNECTOR CO.,LTD.	TOLERANCES		MATERIAL: SEE NOTE	Designed:	NAME: 5521 8P8C	
	0~15±0.15, 15~30±0.2, 30~±0.25		FINISH: SEE NOTE	Checked:	DWG NO.: Q07081704	REV
SCALE: 2.5:1 UNIT: mm CUSTOMER: MODEL NO.:	ANGLE±1°.		SHEET 1 OF 1	Approved:	PART NO.: B551N-8803-M012	00