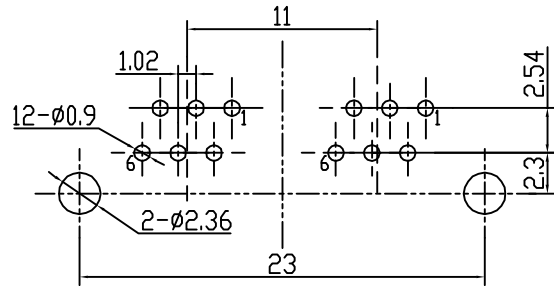
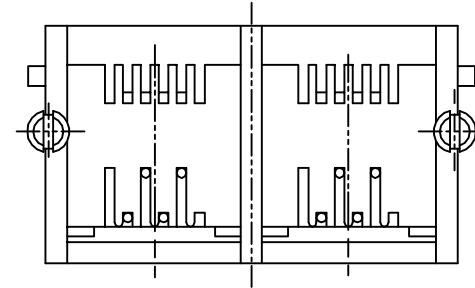


YH-55-08

REV.	ECN NO.	DATE

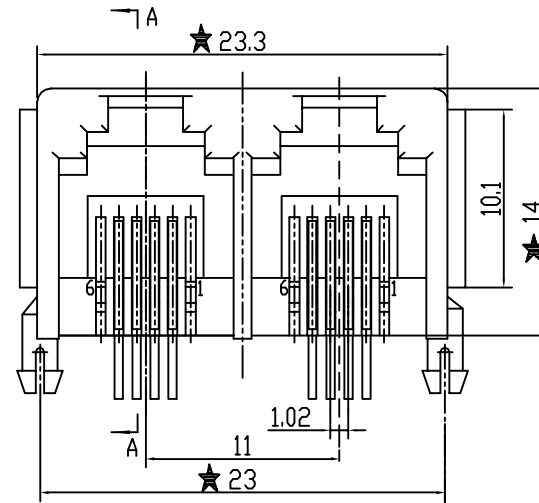
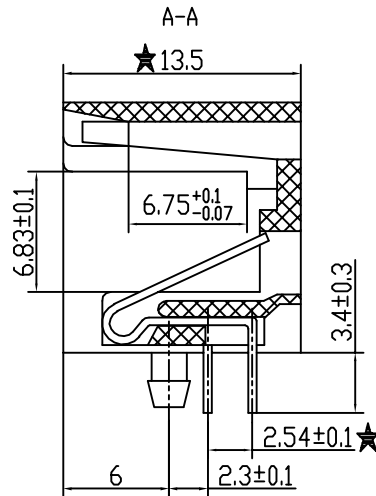


PCB LAYOUT



NOTES:

1. ELECTRICAL:
 - 1.1 VOLTAGE RATING: 125 VAC RMS;
 - 1.2 CURRENT RATING: 1.5 AMP;
 - 1.3 CONTACT RESISTANCE: 20 MILLIOHMS Max;
 - 1.4 INSULATION RESISTANCE: 1000 MEGOHMS Min @500 VDC;
 - 1.5 DIELECTRIC STRENGTH: 1000 VAC RMS 50 or 60Hz 1 Minute;
2. MECHANICAL:
 - 2.1 HOUSING: PBT, UL94V-0, BLACK;
 - 2.2 TERMINALS: DIA 0.46 PHOSPHOR BRONZE PLATED 3µ Au;
 - 2.3 DURABILITY: 750 CYCLES Min.
3. *★ Critical Dimension.



RoHS Compliant

意华通讯连接器有限公司 YIHUA COMMUNICATED CONNECTOR CO.,LTD.	TOLERANCES		MATERIAL:	SEE NOTE	Designed:	NAME: 5521 6P4C 2PORTS		
	0~15±0.15, 15~30±0.2, 30~±0.25 ANGLE±1°.		FINISH:	SEE NOTE	Checked:	DWG NO.:	Q07081802	REV
FIRST ANGLE PROJECTION	SCALE	UNIT	CUSTOMER:		Approved:	PART NO.:	B551N2-6403-M009	00
SIZE	2.5:1	mm	MODEL NO.:		SHEET	1	OF	1