

## Fume Extractor

# OPERATION INSTRUCTION

English

*Thank you for purchasing this product. Please read the manual carefully before operating and keep this manual for future reference.*

*Statement: The company reserves the right to improve & upgrade products, product specifications and design are subject to change without notice.*

Made in China

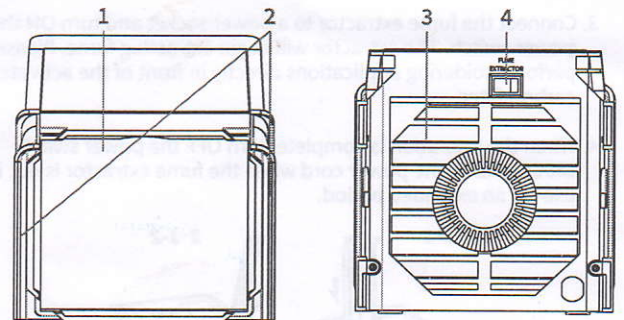
● This product should not be thrown in the garbage. In accordance with the European directive 2012/19/EU, electronic equipment at the end of their life must be collected & returned to an authorized recycling facility. ● Este producto no debe desecharse en la basura. De acuerdo a la directiva europea 2012/19/EU, los equipos electrónicos al final de su vida se deberán recoger y trasladar a una planta de reciclaje autorizada. ● Dieses Produkt sollte nicht mit dem Hausmüll entsorgt werden. In Übereinstimmung mit der europäischen Richtlinie 2012/19/EU müssen elektronische Geräte am Ende ihrer Lebensdauer eingesammelt und einem autorisierten Recyclingbetrieb zugeführt werden.

Air volume	approximately 2.7m <sup>3</sup> /min
Main unit dimensions	L90*W145*H164mm ±5mm
Operating Ambient Temperature	0~40°C/32~104°F

## I. Applications

Effectively extract and filter the fume generated from soldering via the activated carbon filter. This helps cleanse the air in your work area efficiently.

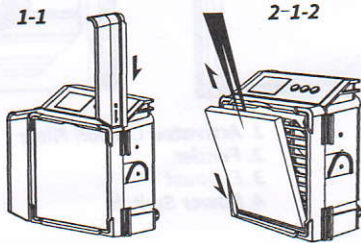
## II. Reference Diagram



1. Activated Carbon Filter
2. Fender
3. Exhaust
4. Power Switch

### III. Operations

1. Push the fenders on both sides from the top down into the installation slots.(1-1)
  2. Installing & Removing the activated carbon filter.
    - 2-1 Use a pair of tweezers to grab the top-middle of the activated carbon filter and pull the filter out gently.(2-1-2)
    - 2-2 Use a pair of tweezers to grab the top-middle position of the activated carbon filter and place the bottom-end of the filter into the slots first. Then, press the rest of the activated carbon filter into the slot.
- NOTE: To prevent loss of suction, please clean the residues off the activated carbon filter regularly.**
- If the activated carbon filter is packed with excessive amount of residues, and it is beyond cleaning, please replace the activated carbon filter.
3. Connect the fume extractor to a power socket and turn ON the power switch. The extractor will begin extracting fume. Please perform soldering applications directly in front of the activated carbon filter.
  4. When the operation is complete, turn OFF the power switch. DISCONNECT the power cord when the fume extractor is not in use for an extended period.



### IV. Maintenance & Precautions

1. Dust and particles may scatter when replacing the activated carbon filter, please prepare sufficient desk protection.
2. To avoid impacting the fume extraction performance negatively, DO NOT use the fume extractor in environments with strong disruptive airflows.

### V. Troubleshooting

The noise inside the fan becomes significantly louder—This is the indication that the fan is malfunctioning. The fan needs to be replaced.