

SSR SPECIFICATION



Name : Solid State Relay

Model : ZGT3-D48**/ ZTG3-**DA

Manufacturer : XIQI Electrical Technology Co., Ltd.

Address : Fenghuang Industrial Zone Baishi Town
Wenzhou City

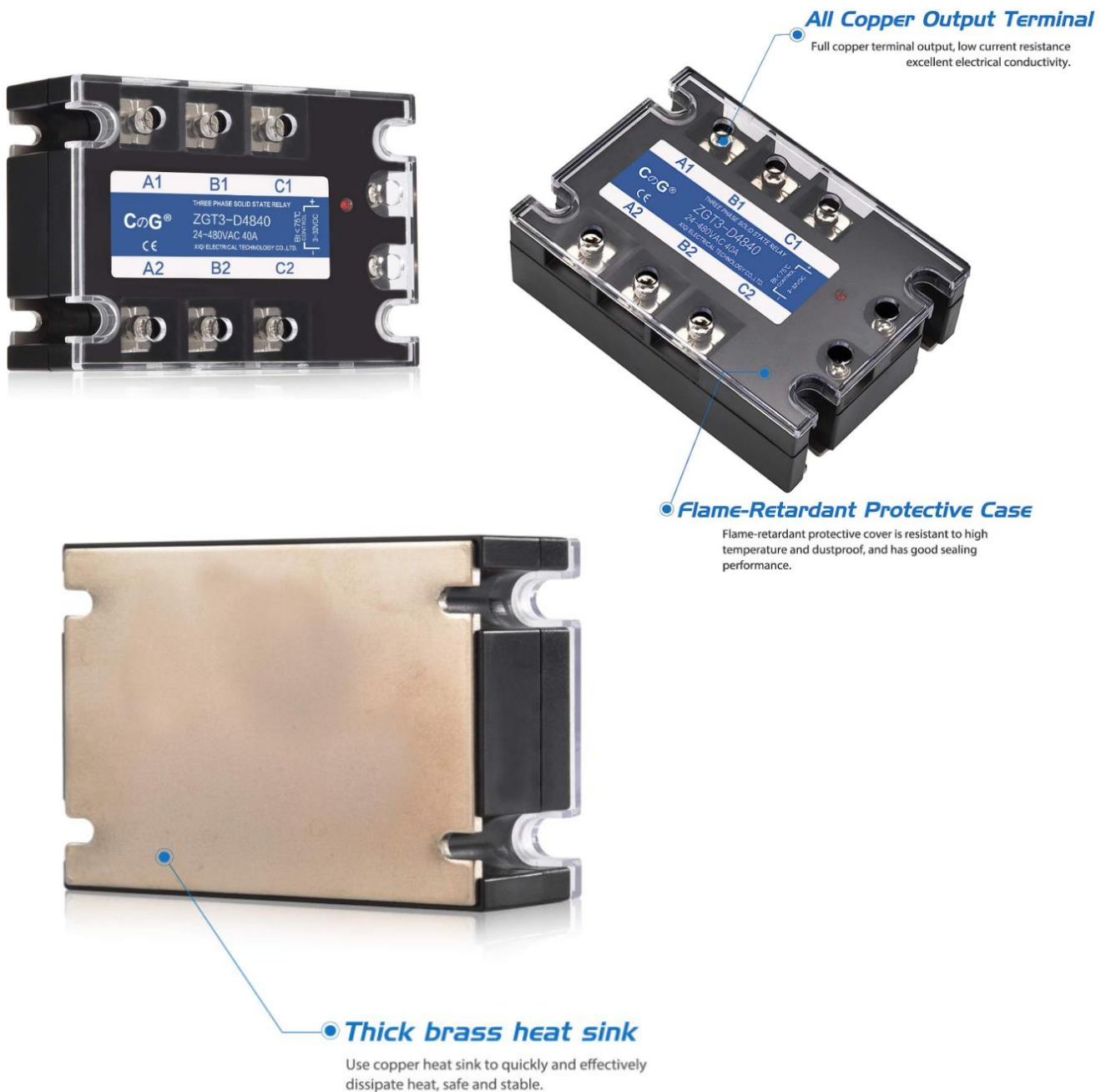
TEL : 0577-61723988 13373852285

DATE : 2022-5-20

1. The standard of application :

With a switch no spark, no noise, high switching speed, anti-corrosion, moisture-proof, anti-vibration, long life, high reliability, electromagnetic compatibility and other characteristics. It can be widely used in aerospace, marine, household, appliances, machine, tools, telecommunications, automobile, mining, etc. automation and control area.

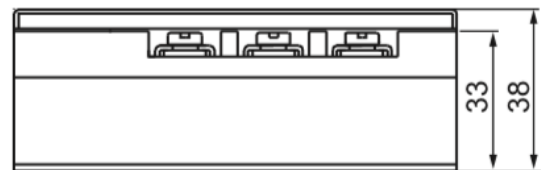
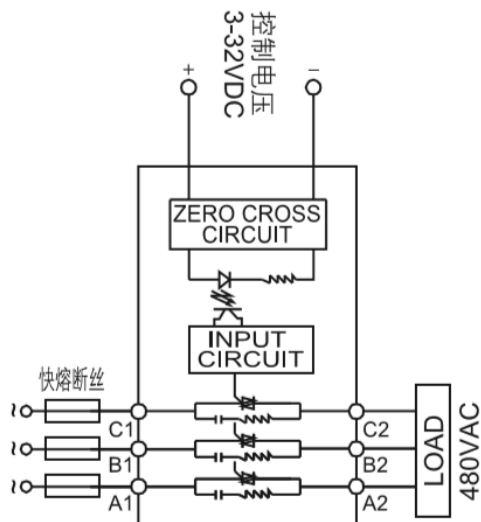
2. The Appearance of ZGT3- D48** (Before type is ZGT3-**DA) :

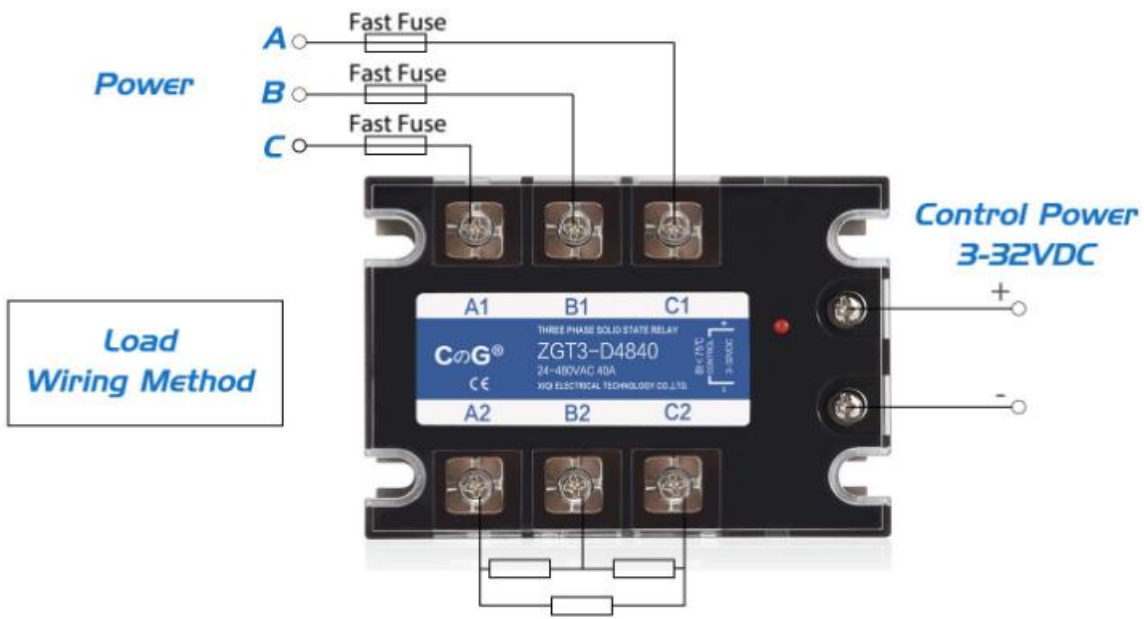


3. The parameter of ZGT3- D48** :

Model	ZGT3-D48**
Control Voltage	3~32VDC
Min Control Current	5mA
Max Control Current	20mA
Load Voltage	24-480VAC
Load Current	10A/25A/60A/80A/100A/120A/200A
Insulation Resistance	1000M Ohm/ 500VDC
Off Leakage Current	<=8mA rms
On Voltage	<=1.5V
On-off Time	<=10ms
Ambient Temperature	-20~+75 °C
Mounting Method	Screw fixed

4. The Wiring of three phase DA type :





All DA type like this.

5. The Heat sink of 60A DC TO AC type SSR :

During the use of SSR, it will give out a lot of heat, so in order to extend the life of your SSR.

