

SSR SPECIFICATION



Name: Solid State Relay

Model: ZGT3- *(10A~200A) DA

Manufacturer: XIQI Electrical Technology Co., Ltd.

Address: Fenghuang Industrial Zone Baishi Town
Wenzhou City

TEL: 0577-61723988 13373852285

Email: Jeffery@cnchog.com / Cecilia@cnchog.com

DATE: 2019-5-20

1. The standard of application:

Solid State Relay with the characteristics of switch no spark, no noise, high switching speed , anti-corrosion , moisture-proof , anti-vibration, long life. high reliability , electromagnetic compatibility and others . It can be widely used in aerospace , marine , household, appliances, machine, tools, telecommunications, automobile, mining , etc. automation and control area.

2. The Appearance of ZGT3-**DA:



Thick brass heat sink
Use copper heat sink to quickly and effectively dissipate heat, safe and stable.

All copper output terminal
Full copper terminal output, low current resistance, excellent electrical conductivity.



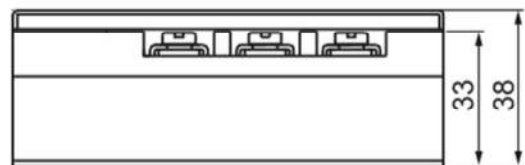
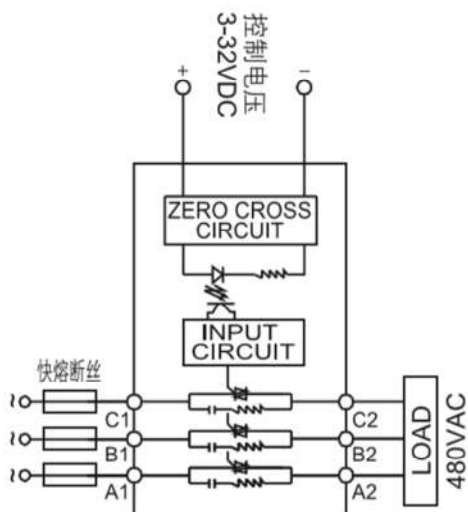
Flame-retardant protective case
Flame-retardant protective cover is resistant to high temperature and dustproof, and has good sealing performance.

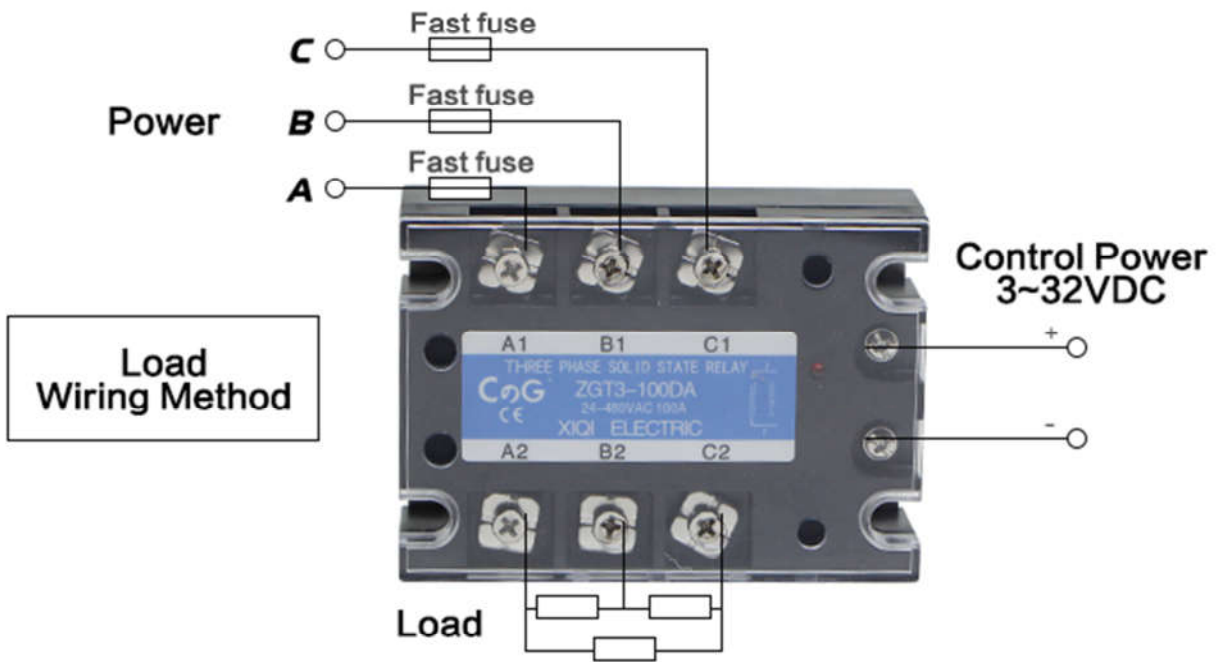


3. The parameter of ZGT3-**DA:

Model	ZGT3-**DA
Control Voltage	3~32VDC
Min Control Current	5mA
Max Control Current	20mA
Load Voltage	24-480VAC
Load Current	10A/25A/40A/60A/80A/100A/120A/150A/200A
Insulation Resistance	1000M Ohm/ 500VDC
Off Leakage Current	<=8mA rms
On Voltage	<=1.5V
On-off Time	<=10ms
Ambient Temperature	-20~+75 °C
Mounting Method	Screw fixed

4. The Wiring of ZGT3-**DA:





5. The Heat sink of Three phase SSR:

During the use of SSR, it will give out a lot of heat, so in order to extend the life of your SSR.

