

## Diameter Ø60mm Manual Pulse Generator

### ■ Features

- Suitable for manual pulse input type such as numerically controlled or milling machinery
- Terminal connection type
- Low cost and high performance
- Power supply: 5VDC±5%, 12-24VDC±5%



### ■ Specification

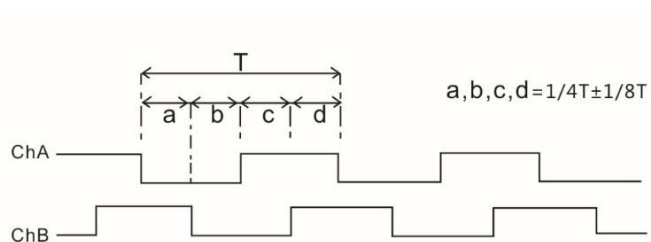
Item	Diameter 60mm Manual Handle Type Incremental Rotary Encoder	
Resolution(P/R)	25, 100	
Output Phase	A,B, phase (Line driver: A,-A,B,-B phase)	
Output Type	Voltage, Line driver 5V	
Electrical	Supply Voltage	5VDC,12-24VDC
	Current consumption	Max.40mA (Disconnection of the load), Line drive output: Max. 50mA (Disconnection of the load)
	Response frequency	Max. 10Khz
	Allowable revolution	Max. 200 rev/min
	Rise/Fall time	Max. 1μ's(other output), 0.2μ's (Line driver output)
Mechanical	Starting torque	Max. 1gf.cm (0.098N.m)
	Shaft loading	Radial: Max. 2kgf Axial: Max. 1kgf
	Mechanical Speed	Max. 600 rev/min (*1)
Environmental	Ambient temperature	-10~70 °C (at non-freezing status), Storage:-25~85 °C
	Ambient humidity	35~85% RH, Storage: 35~90% RH
	Protection	IP50 (IEC standard)
	Vibration	1.5mm amplitude at frequency of 10-55 Hz in each of X,Y, Z direction for 2 hours.
	Shock	Max. 50G
Unit weight	Approx.: 300g	
Connection	Terminal outgoing type	
Insulation resistance	Min. 100MΩ (at 500VDC)	
Dielectric strength	750VAC 50/60Hz for 1 minute (Between all terminals ad case)	
Approval	CE ROHS	

(\*1) Mechanical speed > Allowable revolution, Please take allowable speed as standard when use

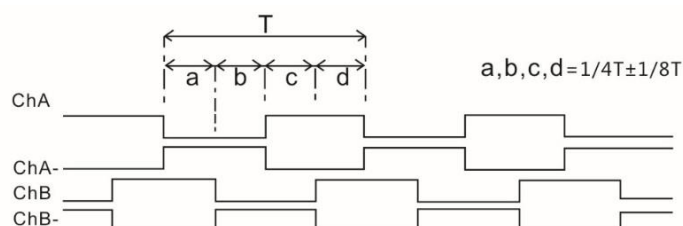
## Ordering information

ZSS-	600-	100-	5-	L
Series	Diameter	Revolution	VOLTAGE	Output type
MPG	600: 60mm	100 25	5: 5VDC 24: 12-24VDC	L: Line driver E: Voltage

## Output Waveform

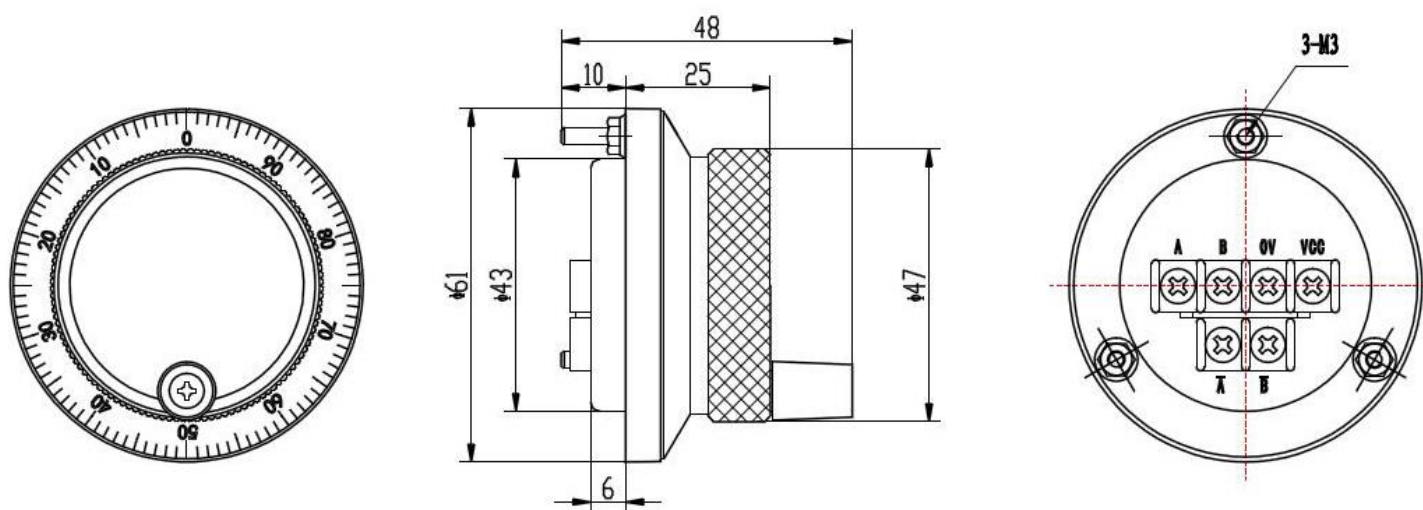


• Voltage type



• Line driver type

## Dimension



## Contact Us

Ji Nan Kesheng Automation Technology Co., Ltd.

Email: [zhang@sdgtech.com](mailto:zhang@sdgtech.com) or [jn\\_syjm@163.com](mailto:jn_syjm@163.com)

QQ: 1485073899

Phone: +86-155-8888-8229

Skype: jn\_syjm@163.com

Whatsapp: +8615588888229

Website: <https://sdgtech.en.alibaba.com>