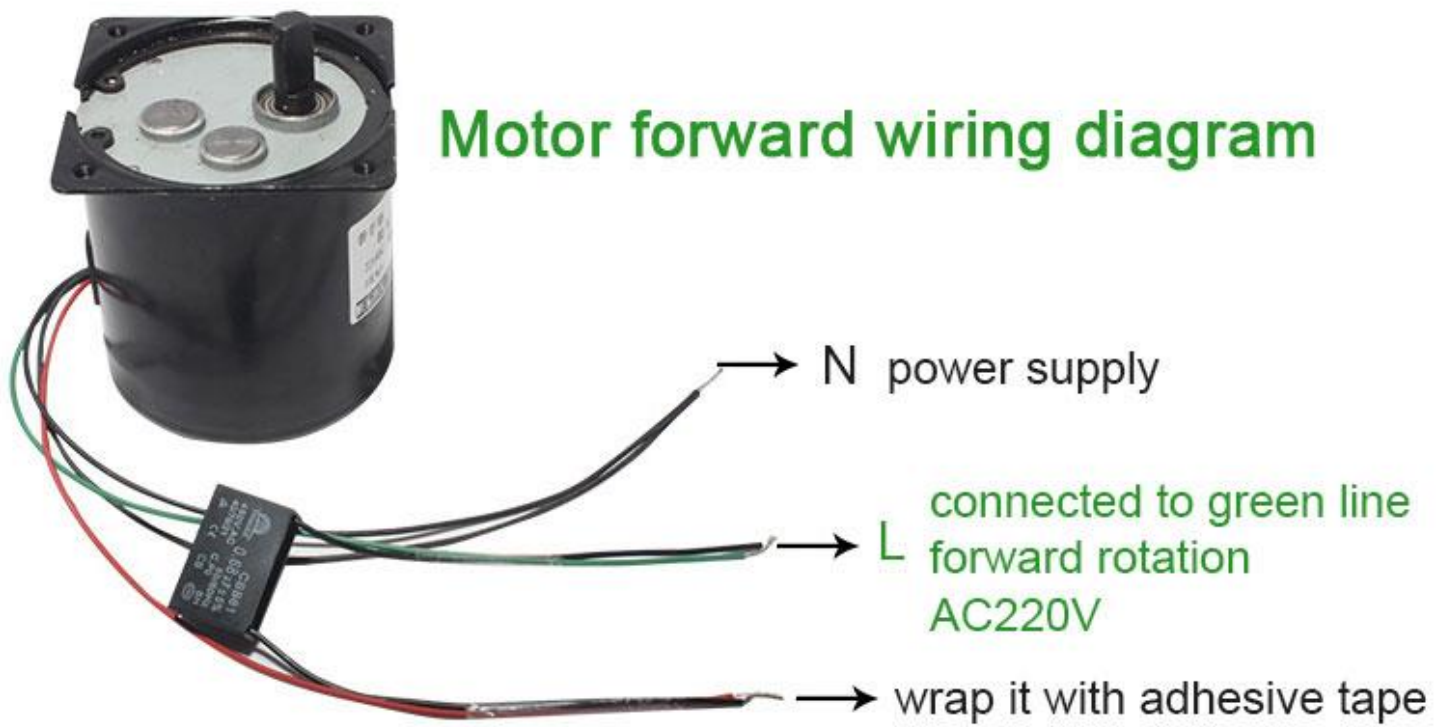
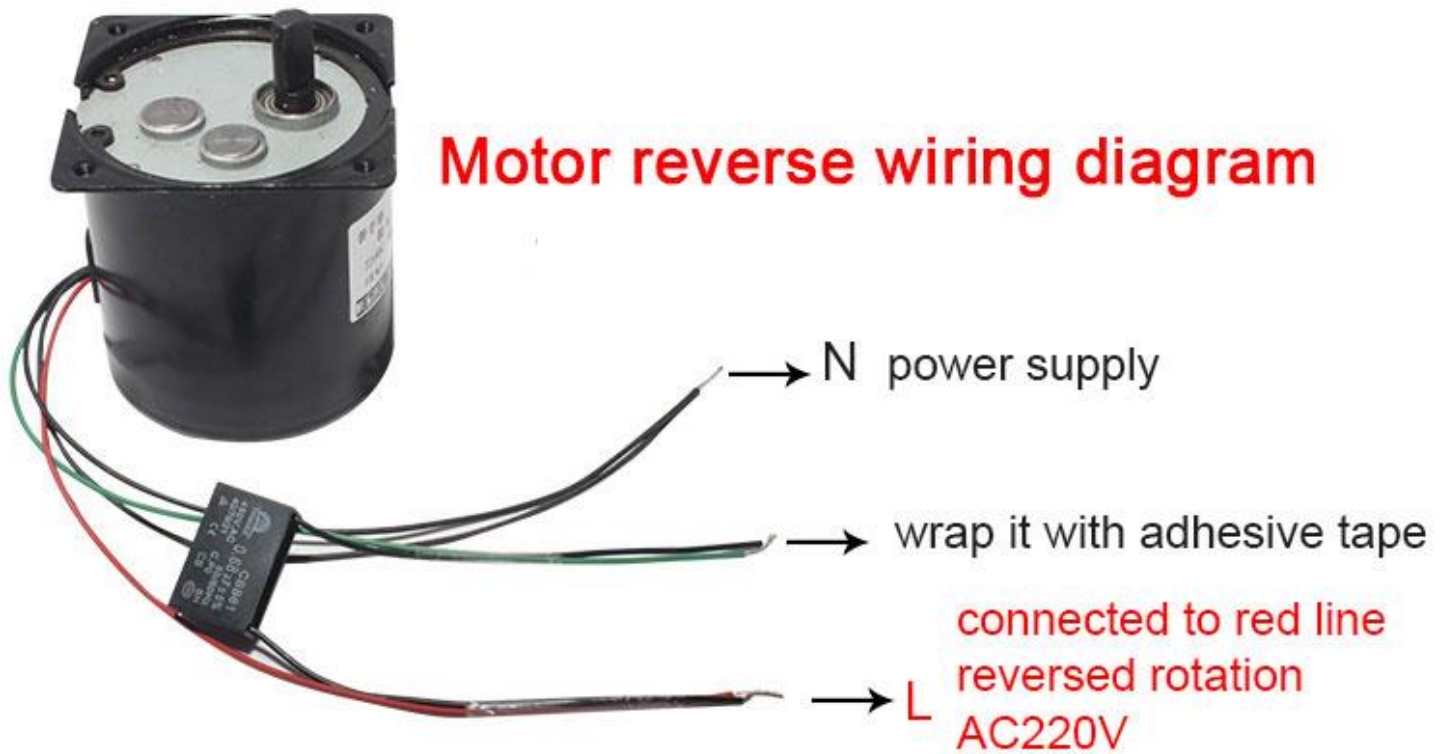
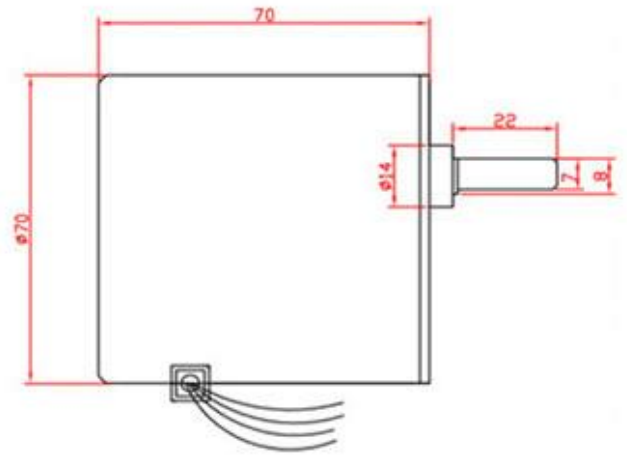
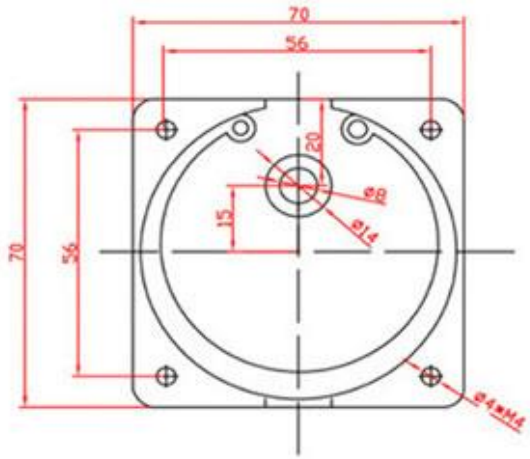


Motor forward wiring diagram



Motor reverse wiring diagram





Product parameters

Model	70KTYZ	Power	40W
Speed	2.5-110rpm	Voltage	AC220V
Current	0.2A	Continuous service time	Continuous 24-hour operation
Motor size	70*70mm	The shaft diameter	8*22mm
Adjust speed	Non adjustable speed	Positive inversion	can be forward and reverse

Rated frequency	Hz	50/60										
Noise	dB	35										
Insulation grade	Grade	E										
Model	Speed(r/min)	2.5	5	10	15	20	25	30	50	60	80	110
Output torque	KGF.CM	160	87	48	32	23	20	16	9.5	8	6.5	3.5
	N.m	16.3	8.87	4.89	3.26	2.34	2.04	1.63	0.96	0.81	0.66	0.35