

Note:

1. Unless otherwise specified dimensions are in mm tolerance

Decimals angular
 $X \pm 0.2$ $\pm 2^\circ$
 $XX \pm 0.04$

2. Do not scale drawing

3. Time-current characteristics See Table 1

4. Fuse-link colour coding See Table 2

Table 1—Time-Current Characteristics

Test Current	Opening Time	
	Min.	Max.
110%	100hrs.	---
135%	0.75s	600s
160%	0.25s	50s
200%	0.15s	5s
350%	0.04s	0.5s
600%	0.02s	0.1s

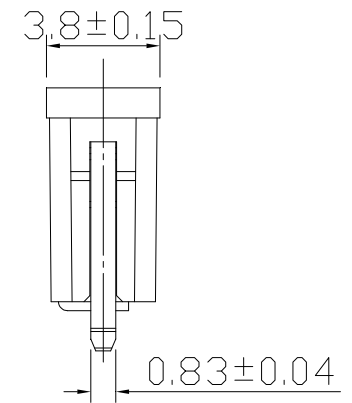
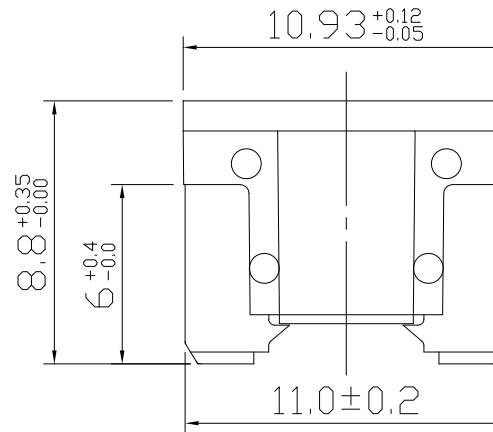
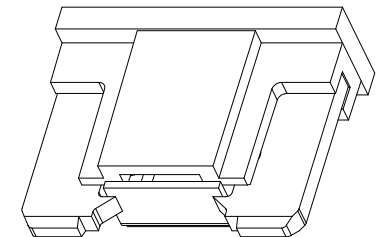
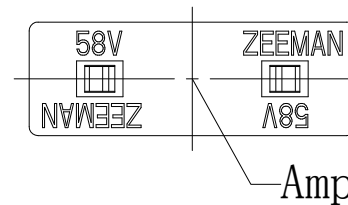


Table 2—Fuse-link colour coding

ITEM & AMP.	COLOR	ITEM & AMP.	COLOR
ATT 2 A	Gray	ATT 10 A	Red
ATT 3 A	Violet	ATT 15 A	Blue
ATT 4 A	Pink	ATT 20 A	Yellow
ATT 5 A	Tan	ATT 25 A	Clear
ATT 7.5 A	Brown	ATT 30 A	Green



- MATERIALS :1、 ZINC ALLOY STRIP.
2、 PA66
- VOLTAGE RATING : 58 V DC
- This product meets the ROHS standard
- My company already got ISO/TS 16949 certificate

⊙	▽
SCALE	
P/N	
REV	

TITLE	LOW PROFILE MINI FUSES
PART NO.	ATT

DRAWN BY	CHI
CHECKED BY	JU
DESIGNED BY	JEAN
DATE	10/04/15

ZEEMAN INDUSTRY CO.