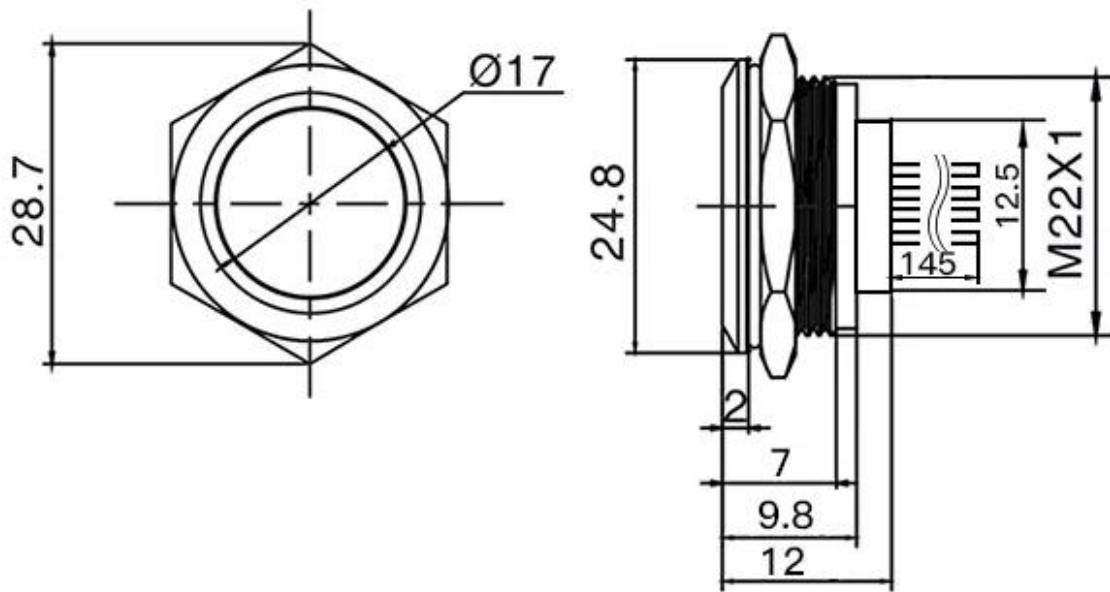


22mm cut out (ultra-short)



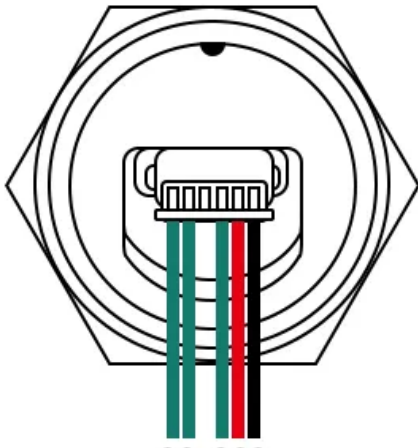
①② NO(normally open contact)

THE BICOLOR TYPE & TRICOLOR TYPE: The common power cable is **electrodeless** by default, and can be used for both common cathode and common anode

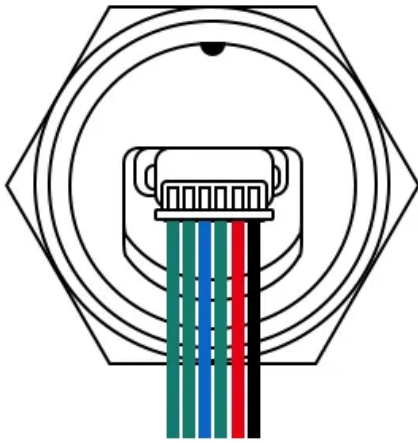
Bicolor Light Wiring Diagram: Only one of the two dotted lines can be connected. Connecting different contacts makes the light color different [③④---LED power supply line / ⑤---LED power supply common contact]

Tricolor Light Wiring Diagram: Only one of the three dotted lines can be connected. Connecting different contacts makes the light color different[③④⑤---LED power supply line / ⑥---LED power supply common contact]

CABLE INSTRUCTION

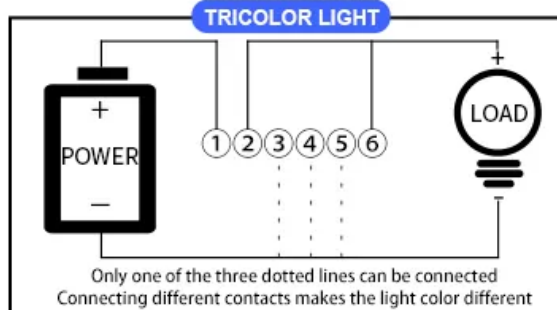
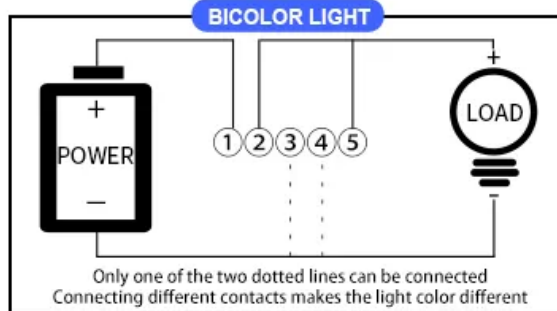
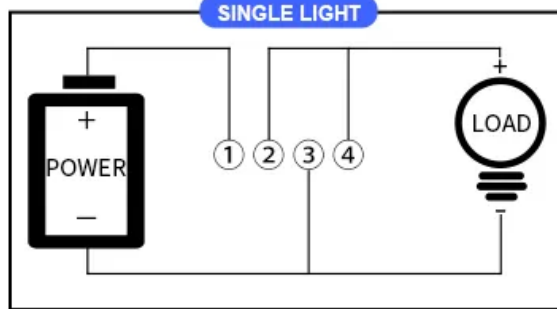
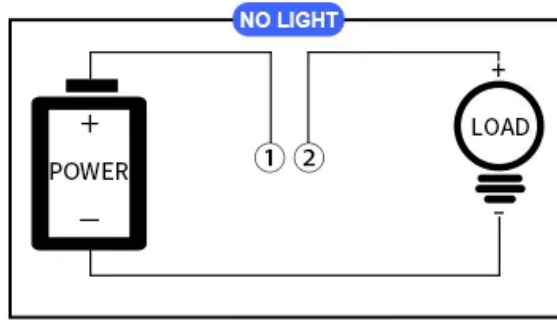


- ①② NO (normal open)
- ③④ LED power supply wire
- ⑤ LED power supply common contact



- ①② NO (normal open)
- ③④⑤ LED power supply wire
- ⑥ LED power supply common contact

THE BICOLOR TYPE & TRICOLOR TYPE:
The common power cable is electrodeless by default, and can be used for both common cathode and common anode.



①② NO (normally open contact)

THE BICOLOR TYPE & TRICOLOR TYPE: The common power cable is **electrodeless** by default, and can be used for both common cathode and common anode

Bicolor Light Wiring Diagram: Only one of the two dotted lines can be connected. Connecting different contacts makes the light color different [③④---LED power supply line / ⑤---LED power supply common contact]

Tricolor Light Wiring Diagram: Only one of the three dotted lines can be connected. Connecting different contacts makes the light color different [③④⑤---LED power supply line / ⑥---LED power supply common contact]