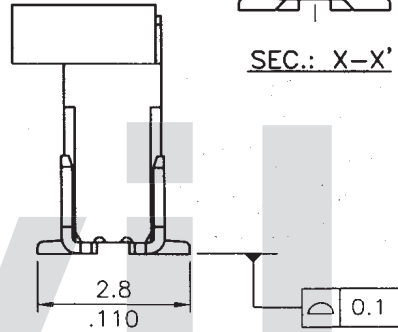
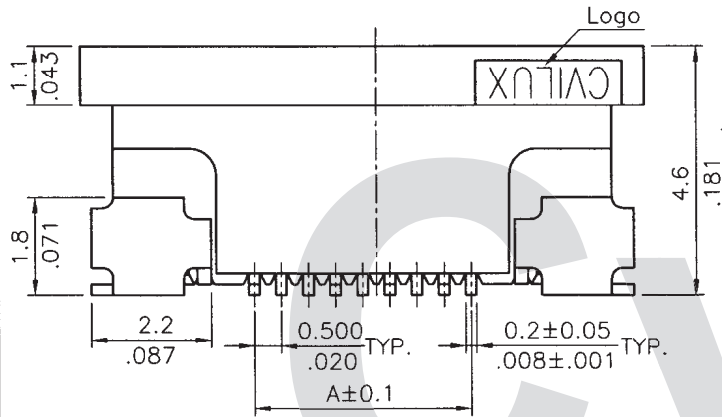


SEC.: X-X'

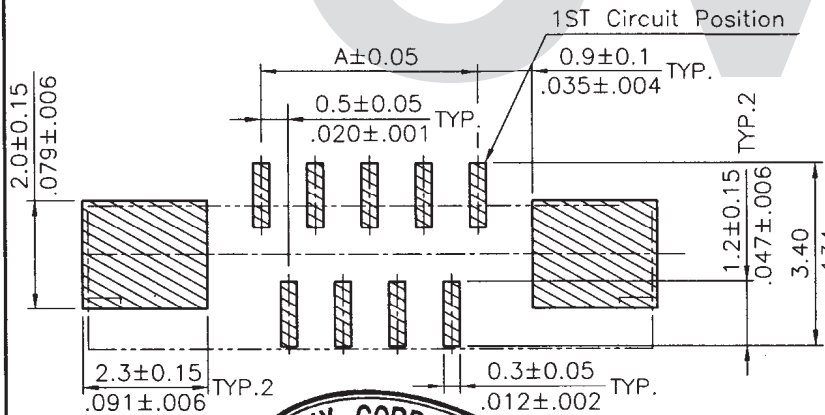


A = 0.50 x No. of Spaces

B = A + 6.4

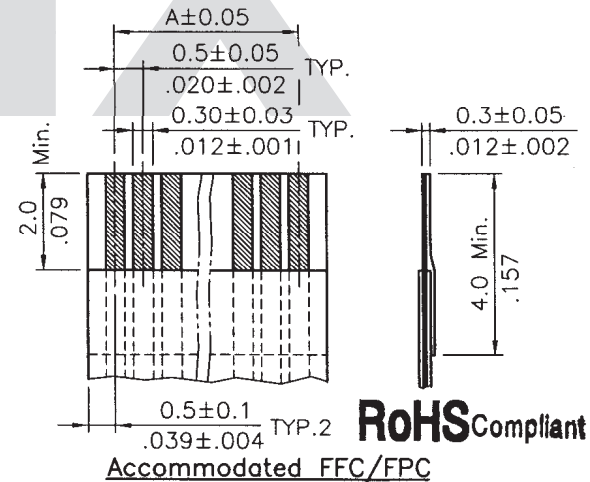
C = A + 1.1

* Available in 6 through 50 circuits



Datum Face

Contact Detail



RoHS Compliant
Accommodated FFC/FPC

Material :

- * Body : NYLON 46 With 40% GF. UL 94V-0, Color Nature
- * Slider : PPS With 40% GF. UL 94V-0, Color Brown
- * Contact : Phosphor Bronze, With Tin plated
- * Fixed tab : Brass, With Tin plated

Ordering Code

CF21 50 1 V 0 R 0
① ② ③ ④ ⑤ ⑥ ⑦

- ① Series No.
- ② No. of Circuits
- ③ Plating code: 1= 3.05μm(120μ") Min. Tin over 0.76μm(30μ") Nickel
- ④ Contact style: V= Vertical Type
- ⑤ Color: 0= Nature
- ⑥ Packing Type: R= Tape & Reel
T= Tube Packing
- ⑦ Other options:
0= Without Pick and Place Pad(Standard)

④				DATE	UNIT: mm / inch
③				DATE	TOLERANCE UNLESS OTHERWISE SPECIFIED
②				DATE	.X ± 0.15/006 X' ± 1'
①				DATE	.XX ± 0.10/004 .X ±
SYM	NAME	DATE	REVISIONS	DATE	.XXX ± 0.05/002 .XX ±

Civilux Corp. ENGINEERING
MAY 16, 2003
ISSUED

DRAWN BY: Jessie
ENGINEER: Zisley
CHECKED BY: David
APPROVED BY: AL

DATE: 5/15/03
DATE: 5/15/03
DATE: 5/15/03

TITLE: 0.50mm(.031") ZIF FFC/FPC VERTICAL TYPE SURFACE MOUNT CONNECTOR
MATERIAL:
FINISH:

瀚荃股份有限公司
CviLux Corporation

DRAWING NO.	CF2103SJ	PART NO.	CF21**1V0R CF21**1V0T
SCALE	5 / 1	SHEET	1 OF 1