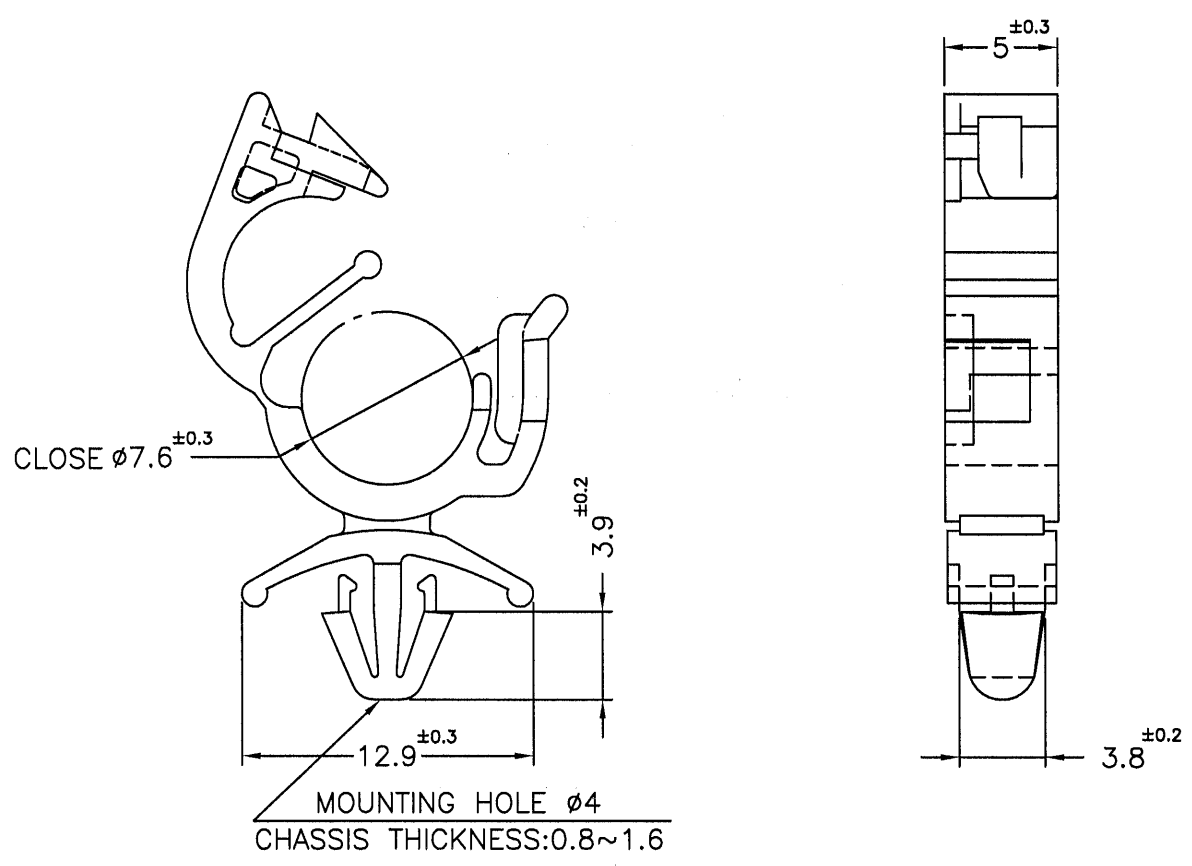


REVISIONS			
REV	DESCRIPTION	DATE	BY



PART NO.	MATERIAL	COLOR
CHN-7.6	NYLON 66 UL94V-2	NATURAL
CHN-7.6(B)	NYLON 66 UL94V-2	BLACK
CHN-7.6V0	NYLON 66 UL94V-0	NATURAL(WHITE)

NOTE: 1. SHRINKING IS NORMAL STATUS.  
 內縮為正常現象。  
 2. MADE OF EQUIVALENT MATERIAL.  
 均可使用同等材質。



				TITLE	WIRE MOUNT	SPEC. DWG.	
				MATERIAL	SEE ABOVE	DATE	2005.01.13
				FINISH		DRAWN	James
PART NUMBER	SEE ABOVE	DRAWING NUMBER	CHN-7.6	COLOR	SEE ABOVE	CHECK	薛梅
SIZE	A4	SCALE	3:1	UNIT	mm	REV	B
				UNLESS OTHERWISE SPECIFIED TOLERANCE	SEE ABOVE	APPROVED	Kang