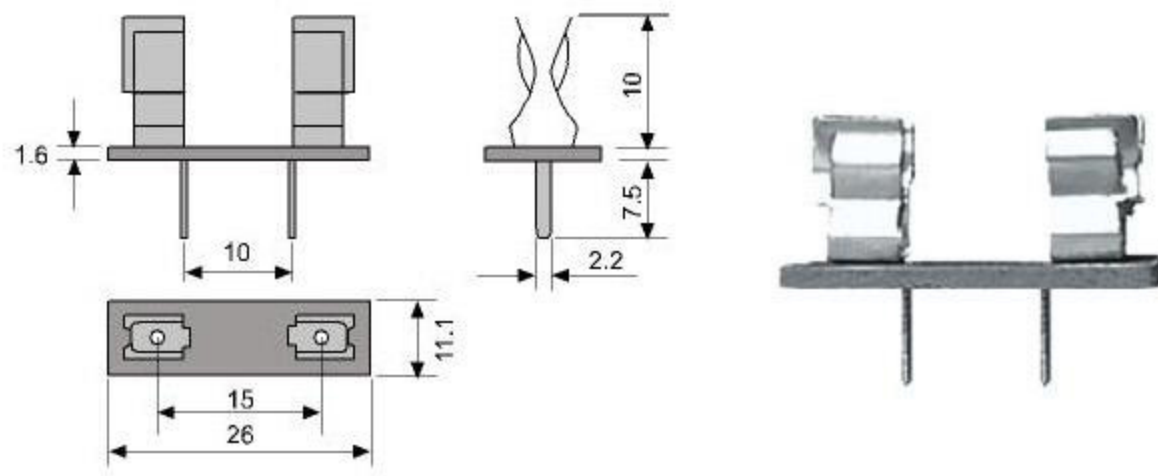


FUSE BLOCK

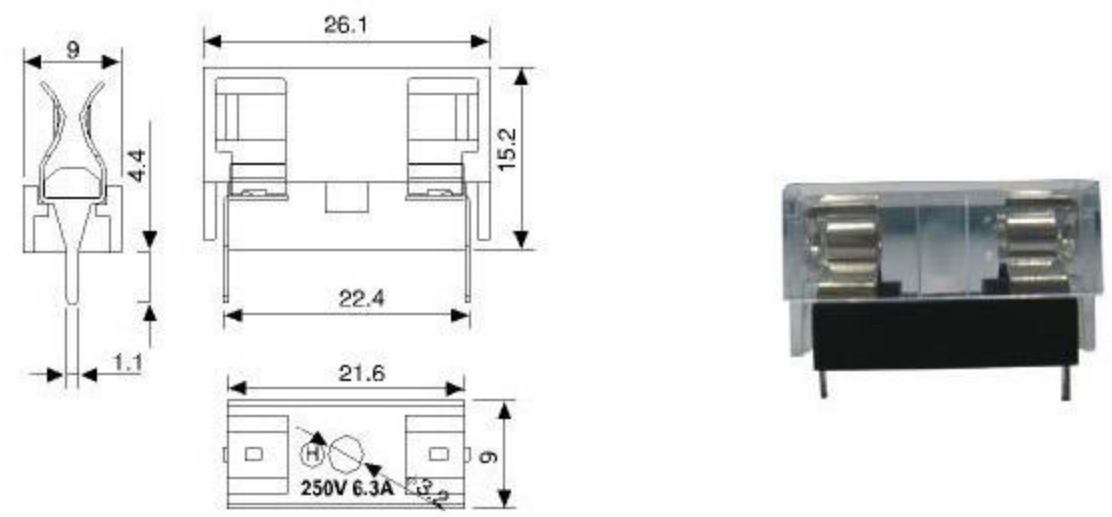
HF-001

PCB TYPE FUSE BLOCK FOR 5X20MM FUSE



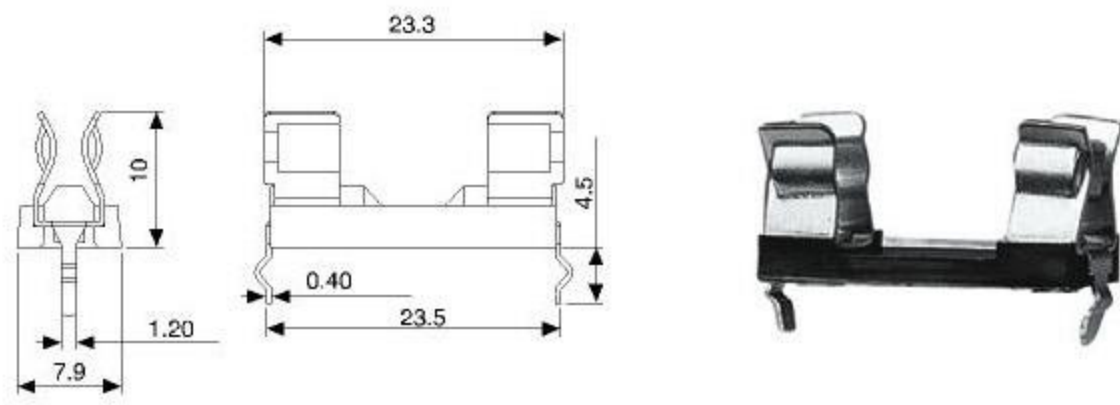
HF-003 (RoHS)

FUSE BLOCK FOR 5X20MM FUSE WITH TRANSPARENT COVER



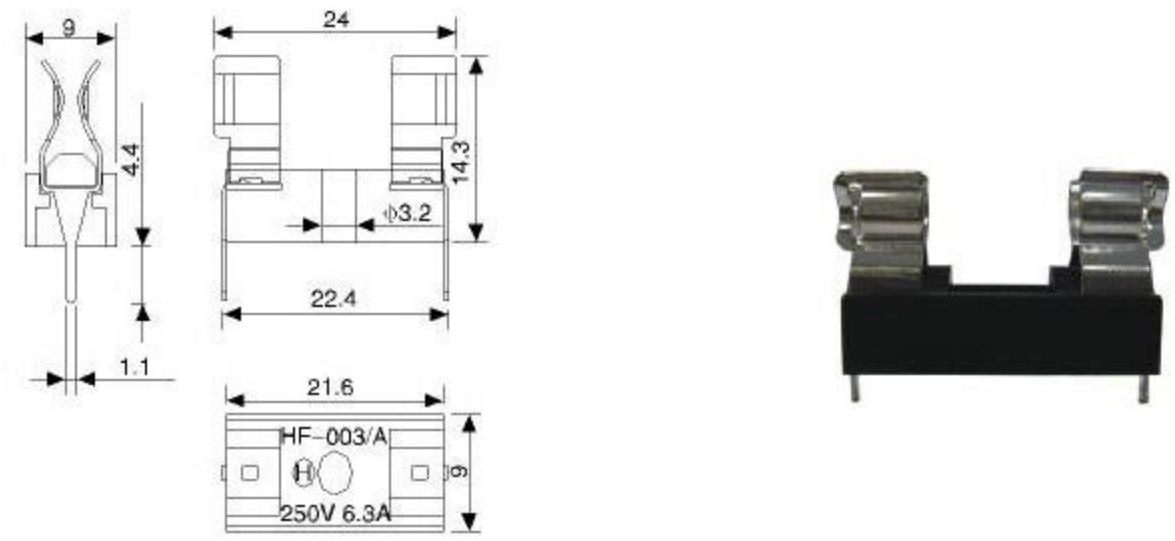
HF-001/A (RoHS)

PCB TYPE FUSE BLOCK FOR 5X20MM FUSE



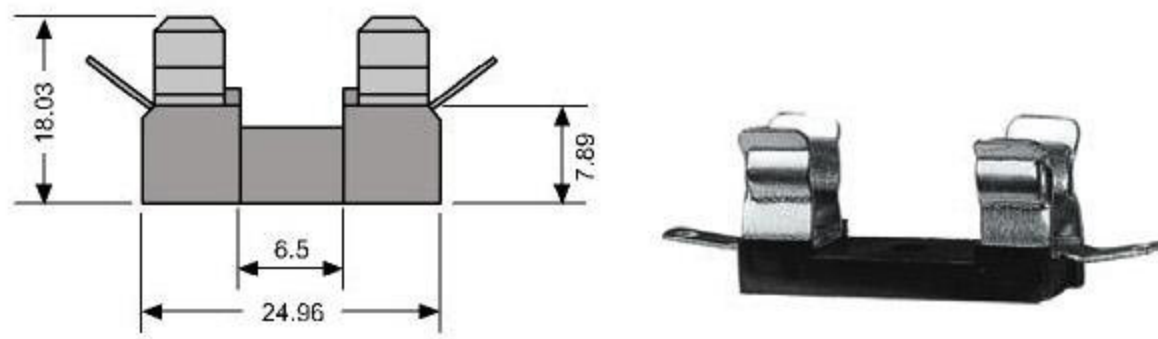
HF-003/A (RoHS)

FUSE BLOCK FOR 5X20MM FUSE



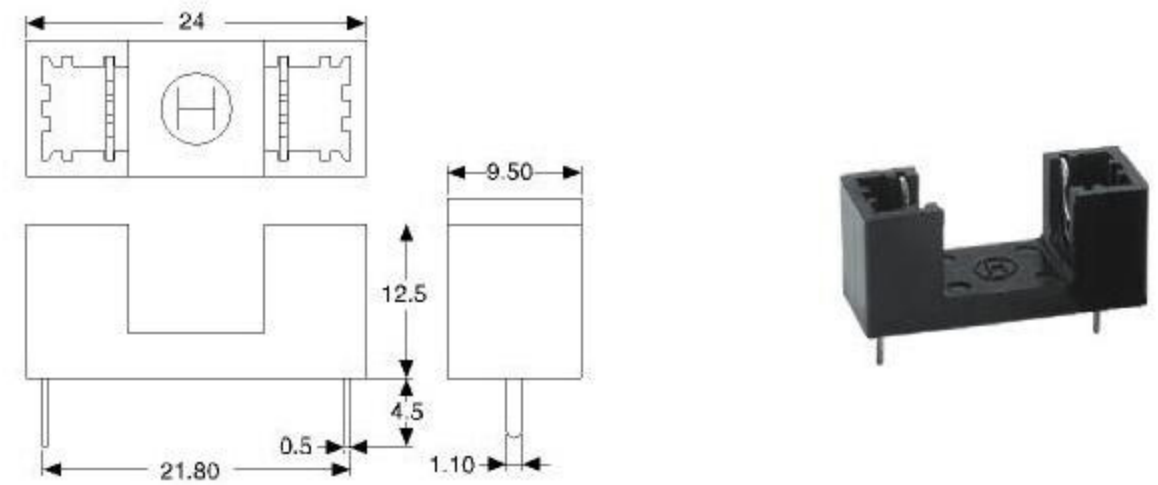
HF-001/B

FUSE BLOCK FOR 5X20MM FUSE



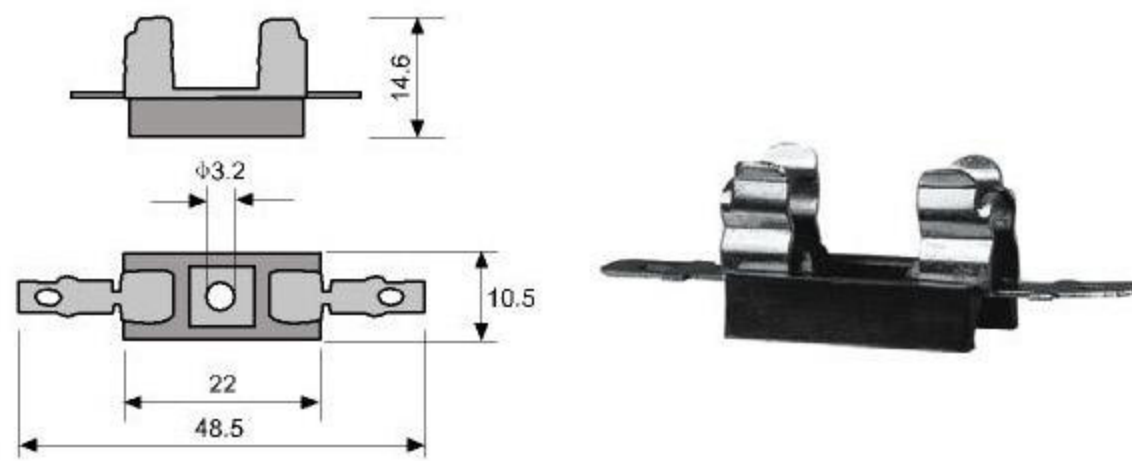
HF-003/B (RoHS)

FUSE BLOCK FOR 5X20MM FUSE WITHOUT COVER



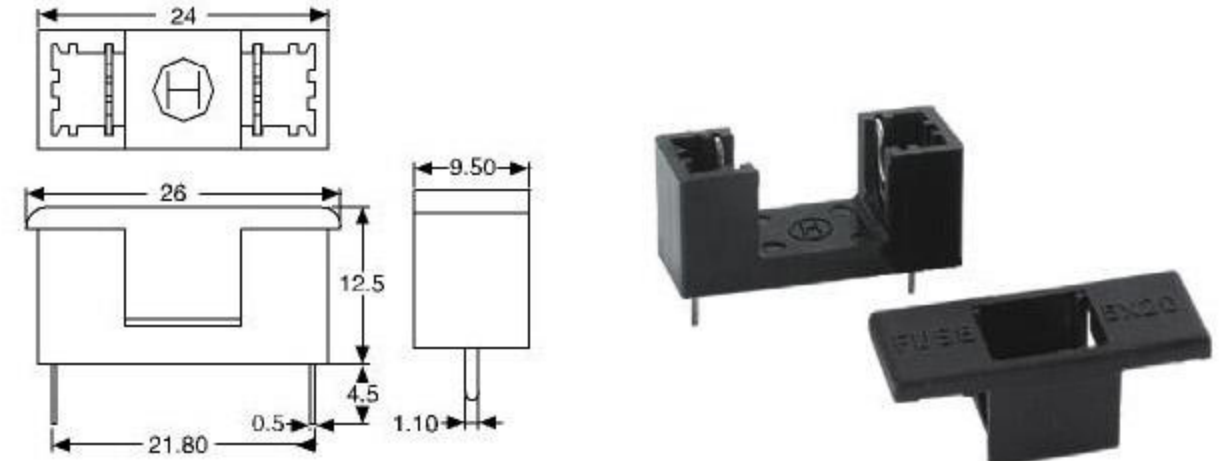
HF-001/C

FUSE BLOCK FOR 5X20MM FUSE



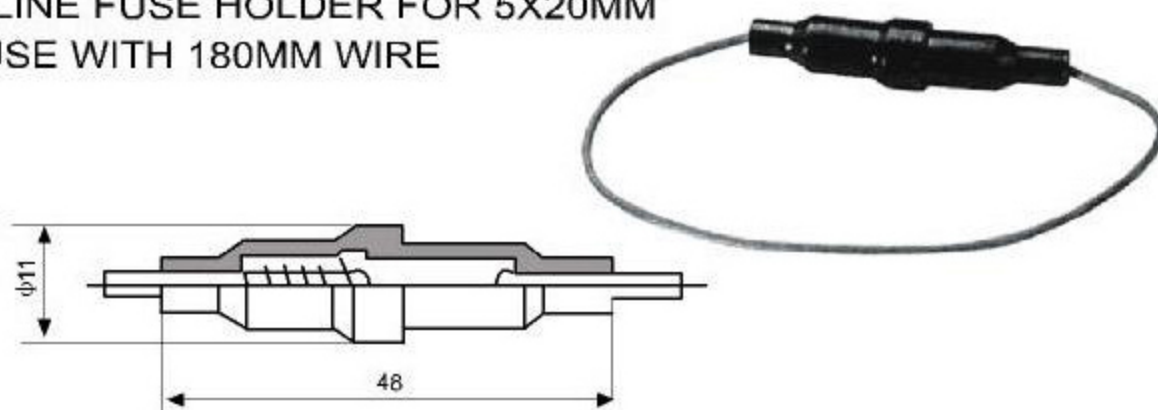
HF-003/BC (RoHS)

FUSE BLOCK FOR 5X20MM FUSE WITH COVER



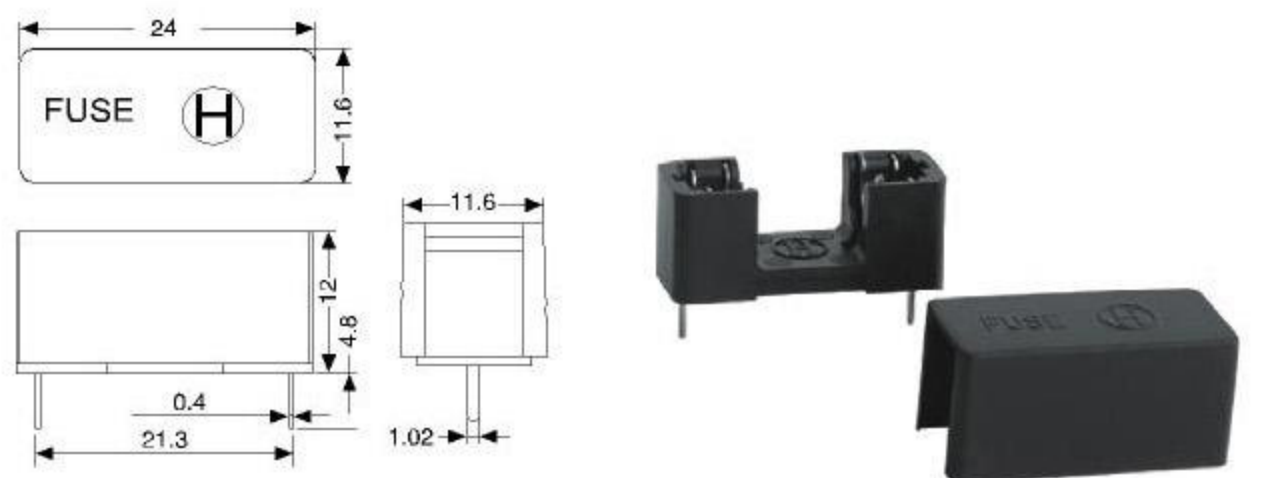
HF-011

INLINE FUSE HOLDER FOR 5X20MM FUSE WITH 180MM WIRE



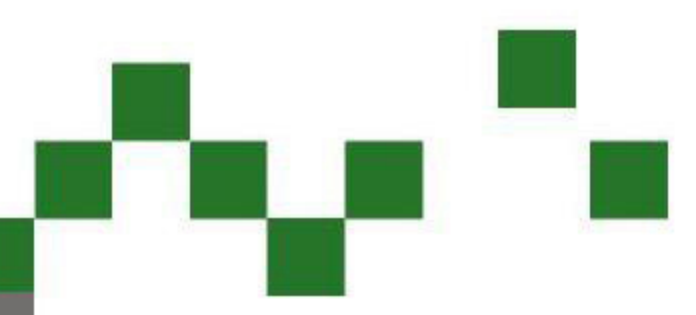
HF-003/C (RoHS)

FUSE BLOCK FOR 5X20MM FUSE WITH COVER



单位 Unit:mm

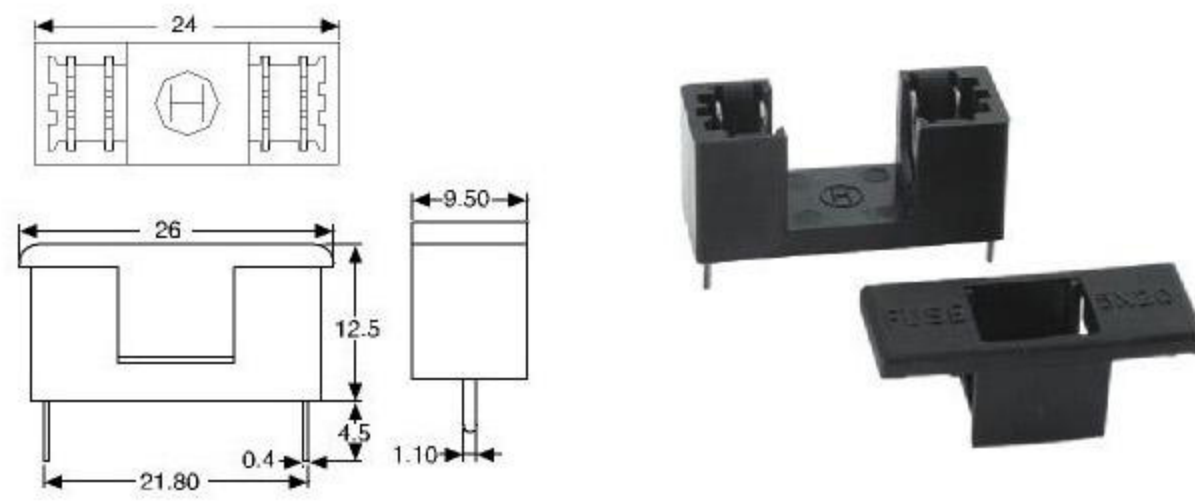
HOLLY® FUSE BLOCK 好利® 保险丝管座



FUSE BLOCK & FUSE CLIP

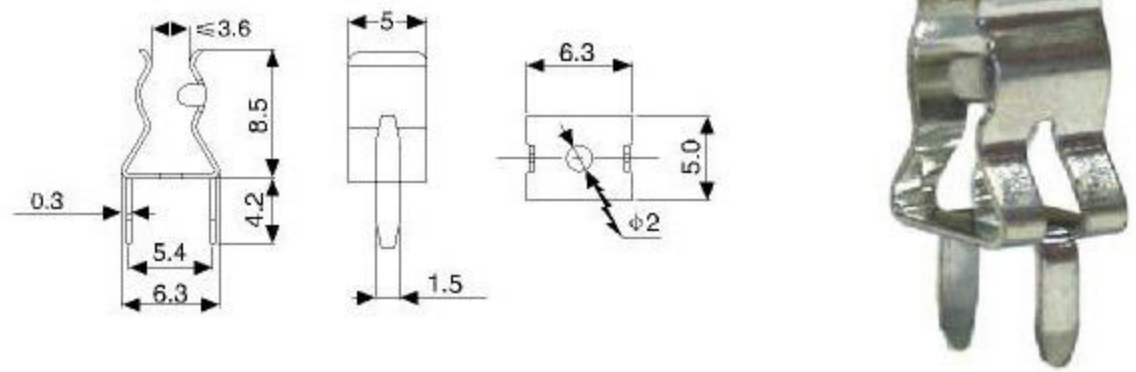
HF-003/D (RoHS)

FUSE BLOCK FOR 5X20MM FUSE WITH COVER



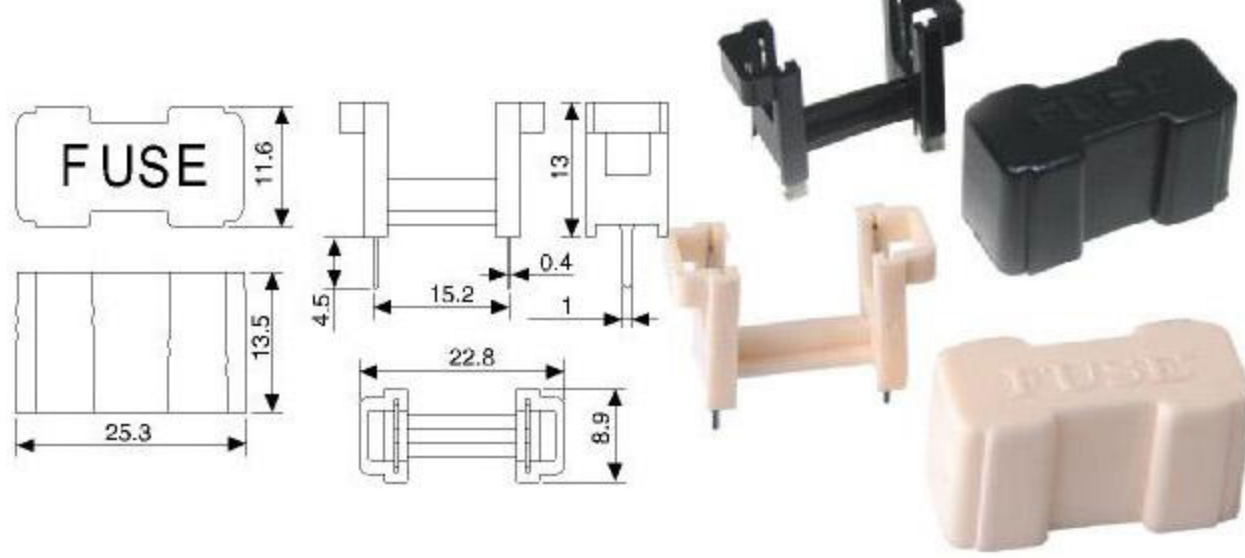
HF-004/C (RoHS)

FUSE CLIP FOR 5×20MM FUSE



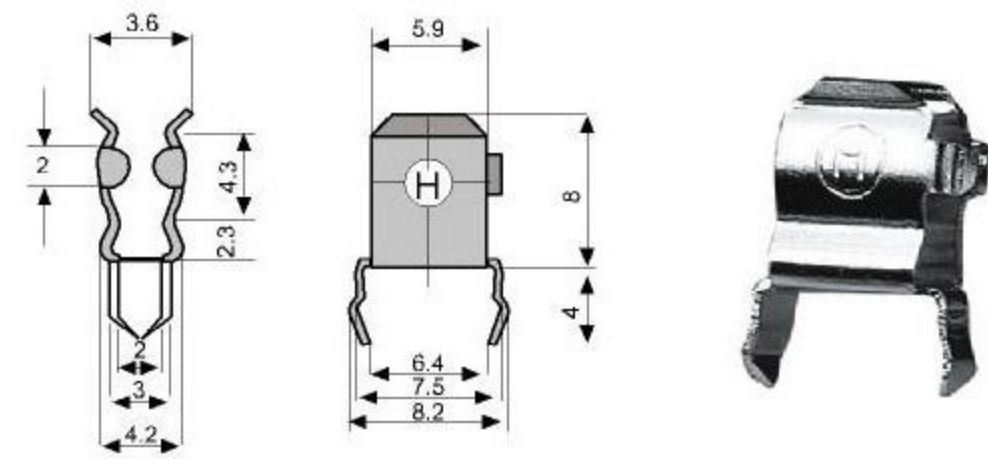
HF-003/I (RoHS)

FUSE BLOCK FOR 5X20MM FUSE WITH COVER



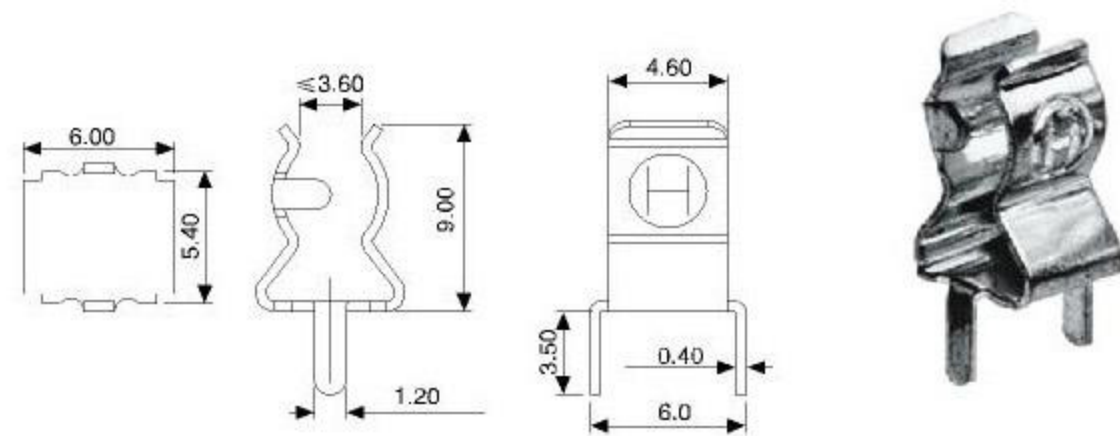
HF-004/D (RoHS)

FUSE CLIP FOR 5X20MM FUSE
NICKEL PLATED OR TIN PLATED



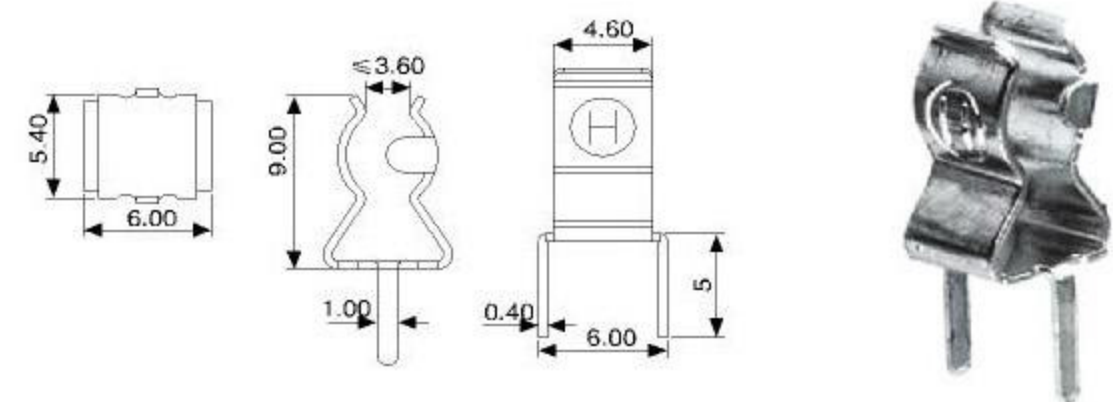
HF-004 (RoHS) (HF-004/N)

FUSE CLIP FOR 5X20MM FUSE



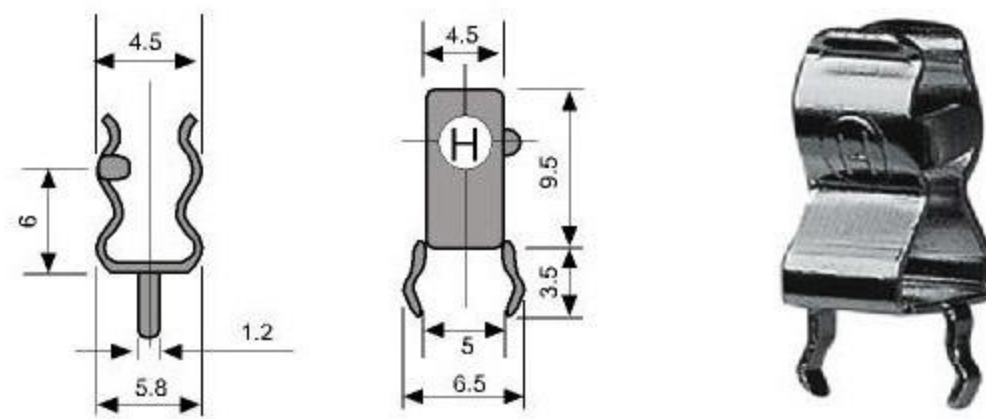
HF-004/J (RoHS)

FUSE CLIP FOR 5X20MM FUSE
NICKEL PLATED OR TIN PLATED



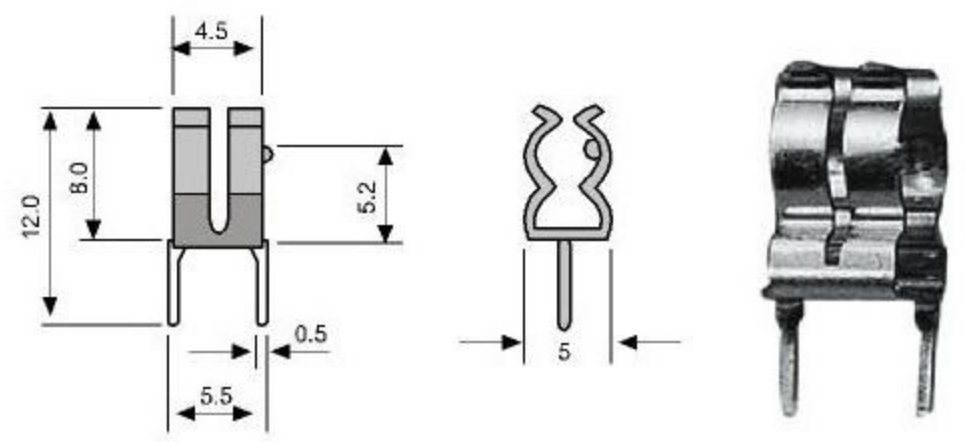
HF-004/A (RoHS)

FUSE CLIP FOR 5X20MM FUSE
PHOSPHOR BRONZE, NICKEL PLATED OR TIN PLATED



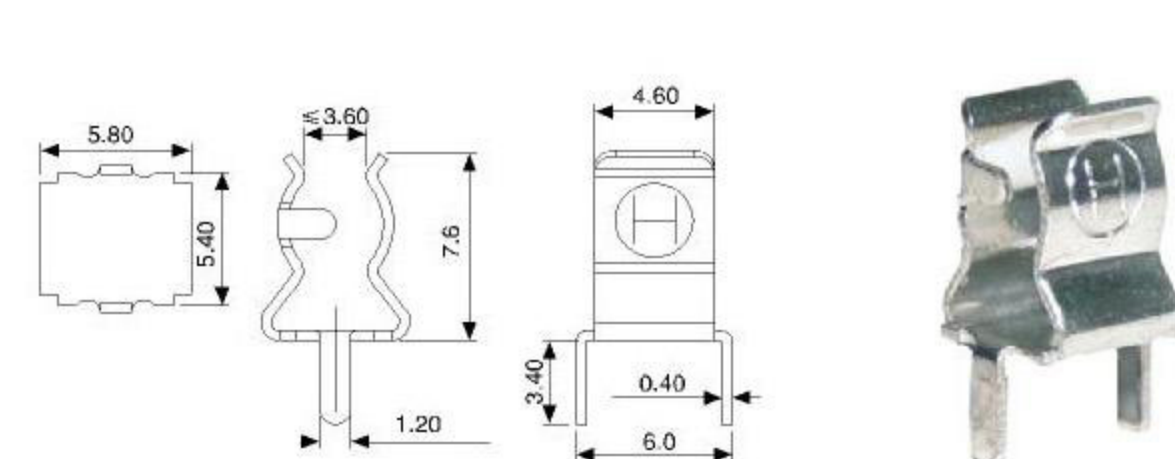
HF-004/P (RoHS)

FUSE CLIP FOR 5X20MM FUSE
PHOSPHOR BRONZE, TIN PLATED



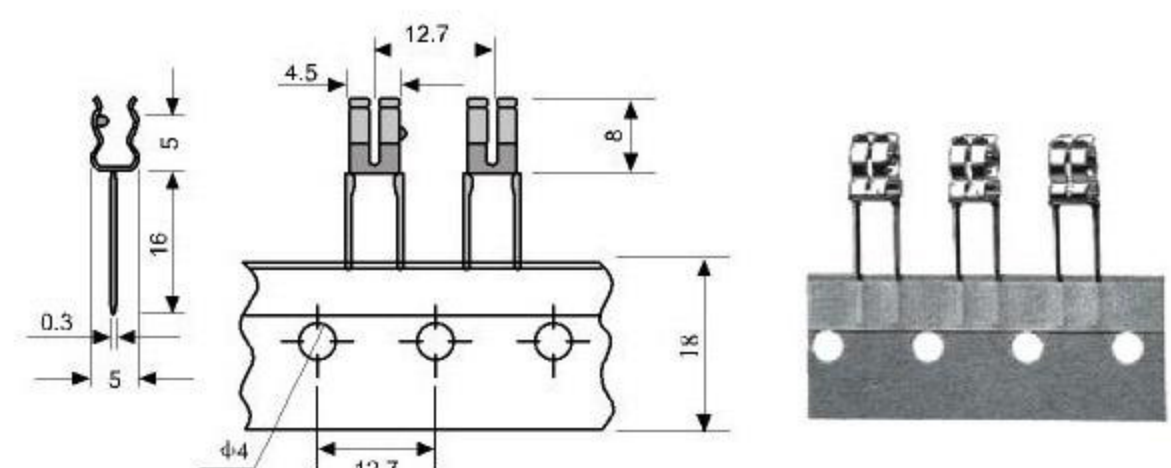
HF-004/B (RoHS)

FUSE CLIP FOR 5×20MM FUSE



HF-004/PT (RoHS)

FUSE CLIP FOR 5X20MM FUSE, TAPED TYPE
PHOSPHOR BRONZE, TIN PLATED



单位 Unit:mm

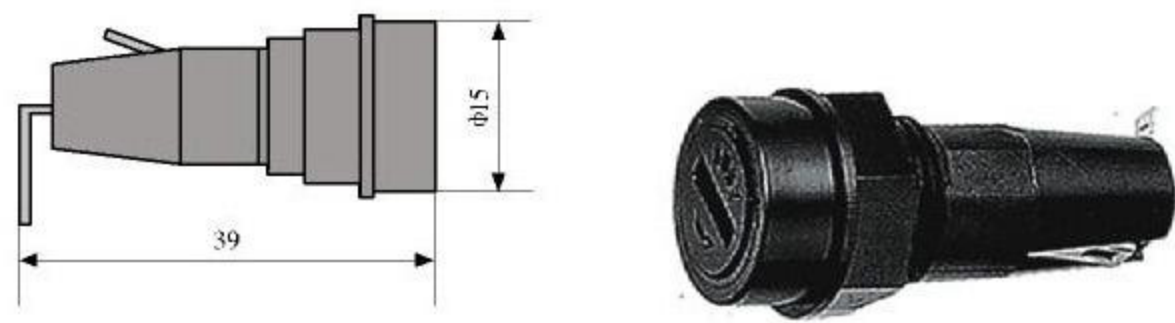
好利® 管座管夹

HOLLY® FUSE BLOCK/CLIP

FUSE HOLDER

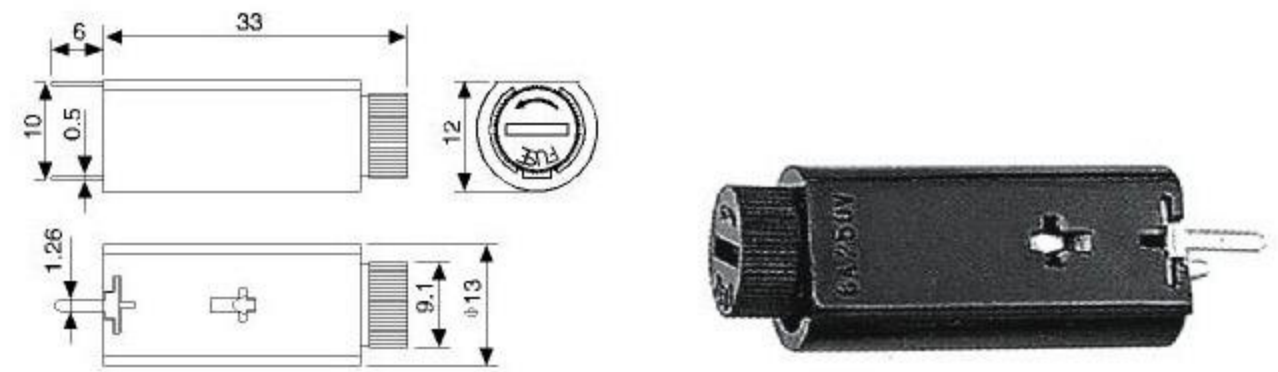
HF-018

FUSE HOLDER FOR 5X20MM FUSE



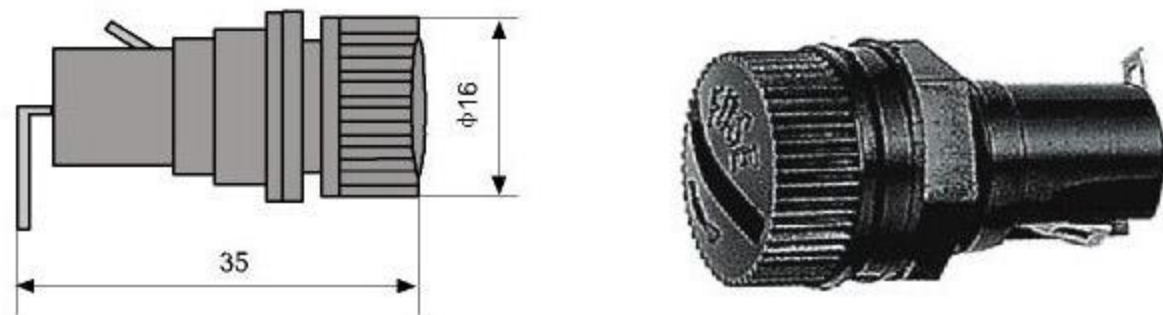
HF-101 (RoHS)

FUSE HOLDER FOR 5X20MM FUSE



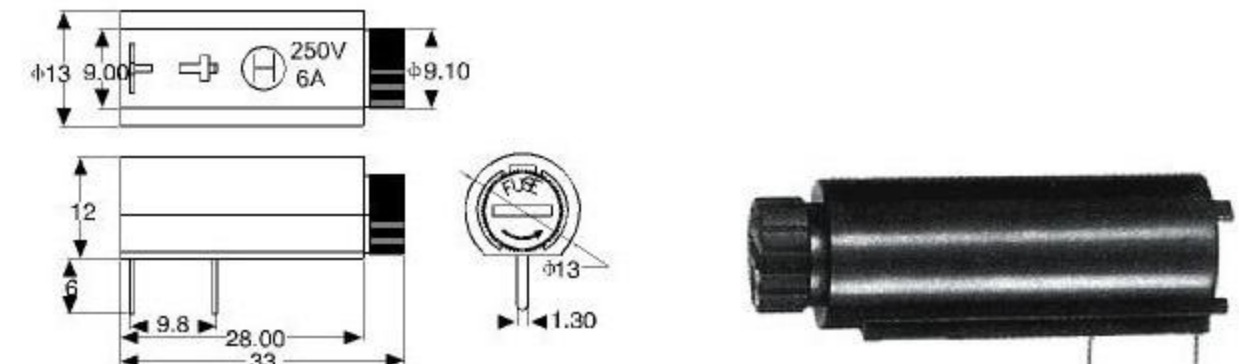
HF-019

FUSE HOLDER FOR 5X20MM FUSE



HF-102 (RoHS)

FUSE HOLDER FOR 5X20MM FUSE



单位 Unit:mm

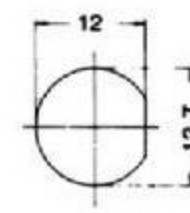
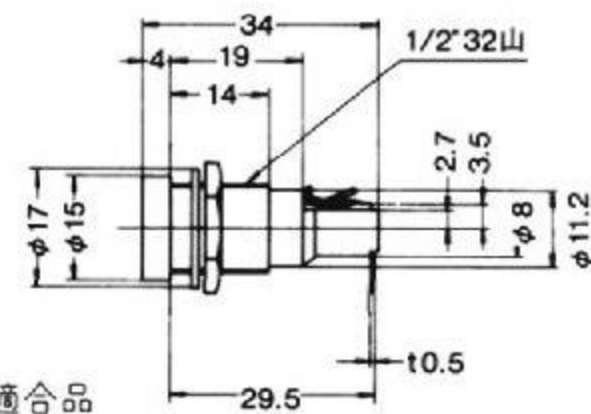
FH SERIES

FH-B02 (RoHS)



BAYONET TYPE

電気用品取締法適合品



参考取付穴

Rating : 10A (6.3A)
定 格

Matching Fuse : $\phi 5.2 \times 20$
適合ヒューズ

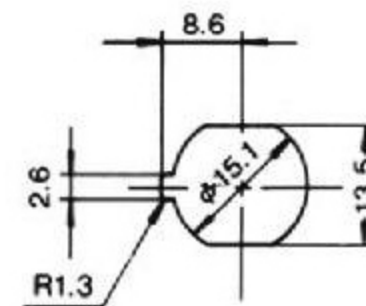
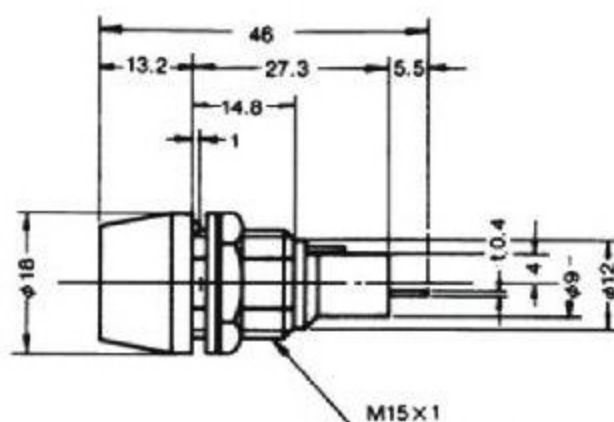
UR/CSA/SEMKO/TÜV/VDE
Approval

PAT.

FH-033



電気用品取締法適合品



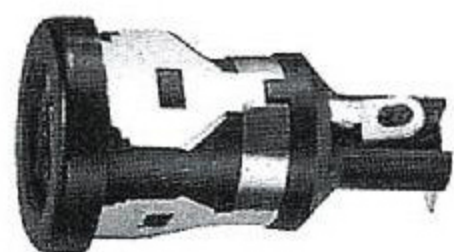
参考取付穴

Rating : 10A
定 格

Matching Fuse : $\phi 5.2 \times 20$
適合ヒューズ

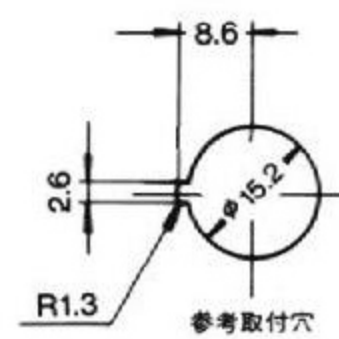
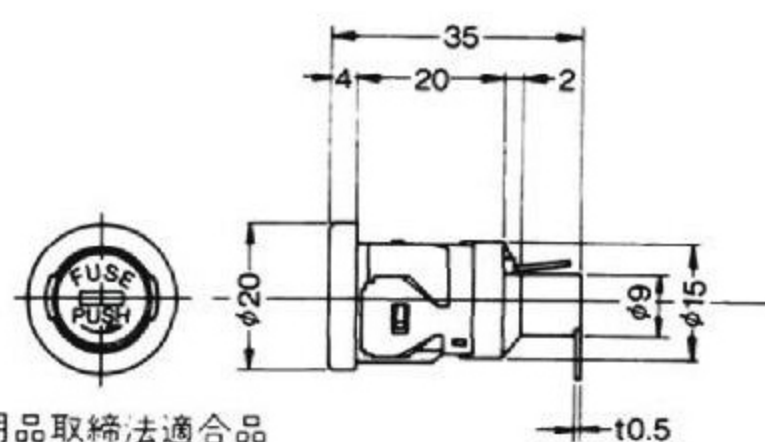
UR/CSA Approval

FH-B12



SNAP-IN MOUNTING TYPE

電気用品取締法適合品



参考取付穴

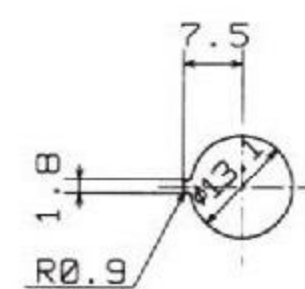
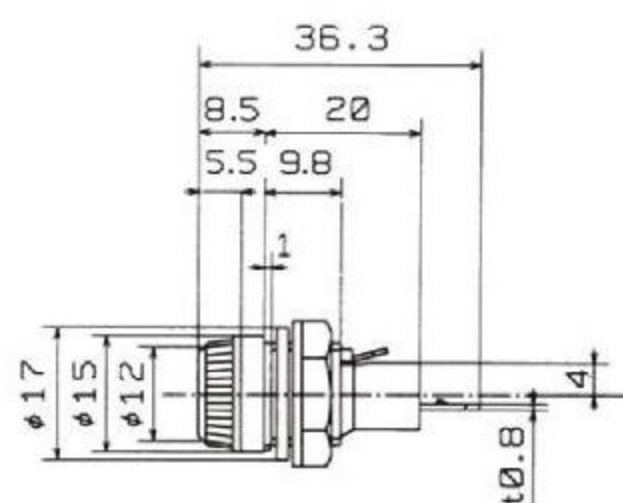
Rating : 10A (6.3A)
定 格

Matching Fuse : $\phi 5.2 \times 20$
適合ヒューズ

Thickness of mounting board : 0.8/1.0/1.2
取付板板厚 : 1.6/2.0

UR/SEMKO/CSA/VDE Approval

FH-043A



参考取付穴

Rating : 10A
定 格

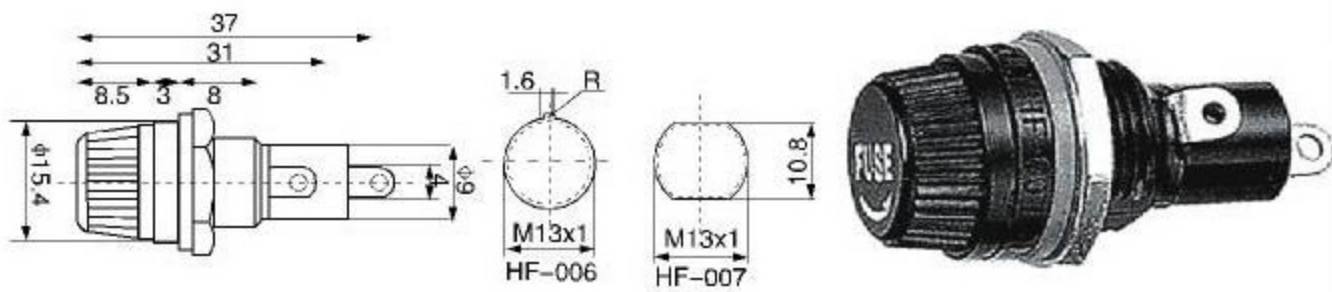
Matching Fuse : $\phi 5.2 \times 20$
適合ヒューズ

单位 Unit:mm

FUSE CLIP & FUSE HOLDER

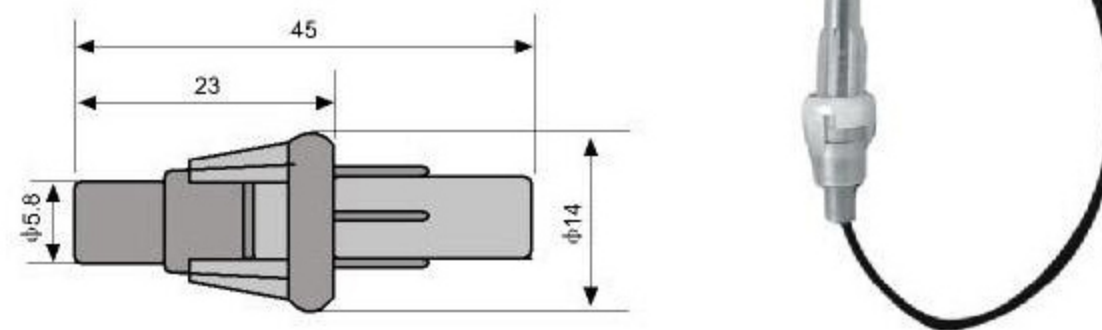
HF-006
HF-007

PANEL MOUNT FUSE HOLDER FOR 5X20MM FUSE



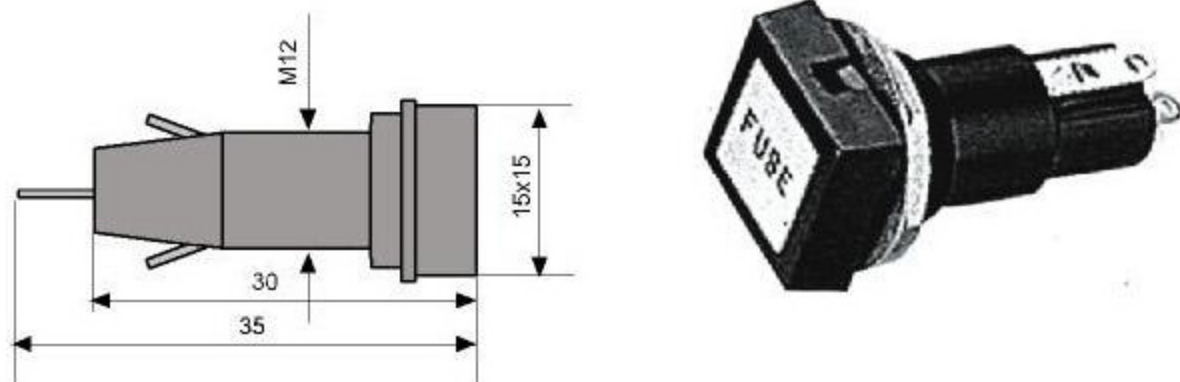
HF-013

INLINE FUSE HOLDER FOR 5X20MM FUSE WITH 180MM LEAD WIRE



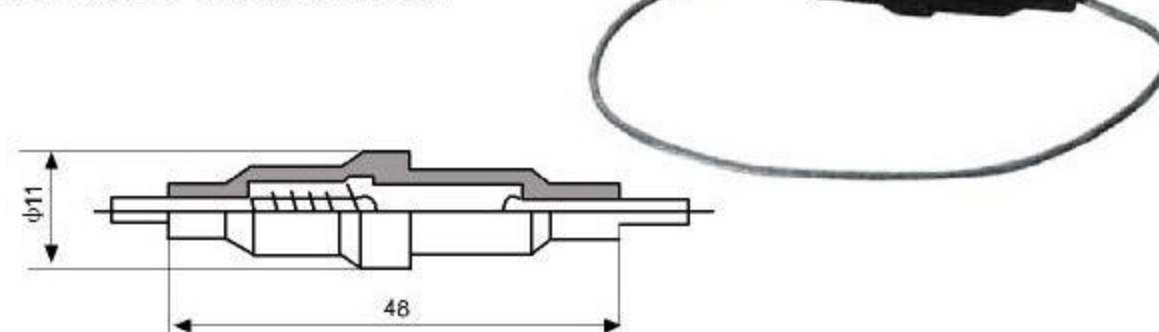
HF-015

FUSE HOLDER FOR 5X20MM FUSE

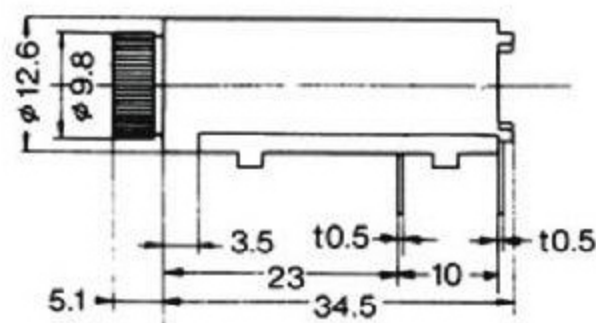
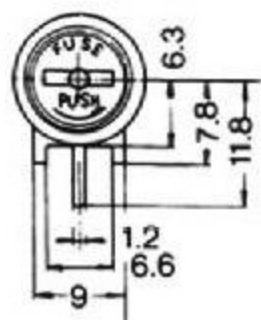
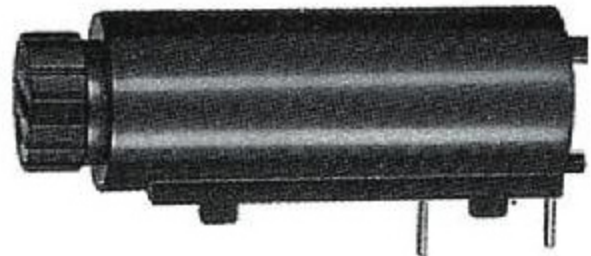


HF-011

INLINE FUSE HOLDER FOR 5X20MM FUSE WITH 180MM WIRE



FH-B13HA



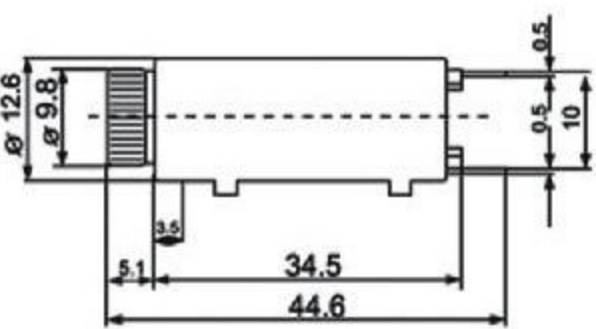
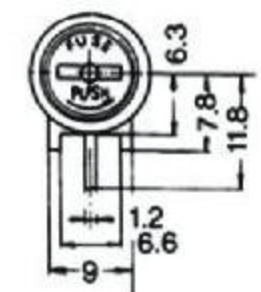
Rating : 10A
定 格

Matching Fuse : $\phi 5.2 \times 20$
適合ヒューズ

UR/CSA/VDE Approval

*Vertical type available.
*縦形タイプも有ります。

FH-B13VA



Rating : 10A
定 格

Matching Fuse : $\phi 5.2 \times 20$
適合ヒューズ

UR/CSA/VDE Approval

*Vertical type available.
*縦形タイプも有ります。

