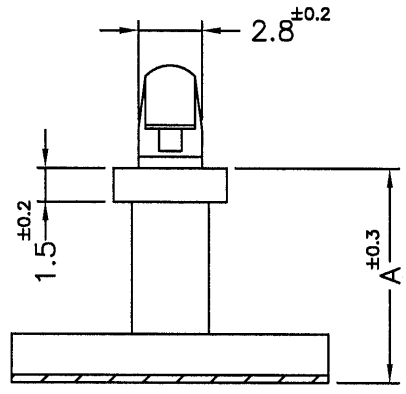
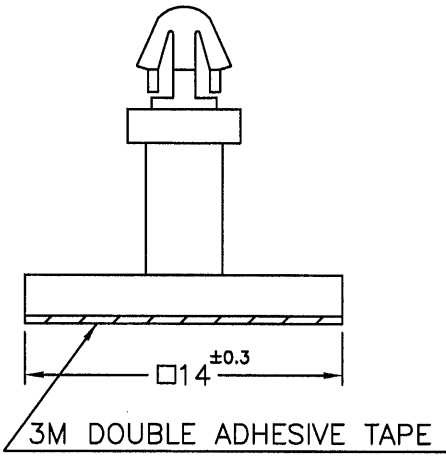


REVISIONS			
REV	DESCRIPTION	DATE	BY

HOLE IN P.C.B $\phi 3.0$
P.C.B THICKNESS 1.2~1.6



PART NO.	A	DOUBLE ADHESIVE TAPE
CSS-5	5.1	THICKNESS 1.1mm
CSS-5(3M)	4.8	THICKNESS 0.9mm
CSS-5(4608)	4.8	THICKNESS 0.9mm
CSS-6.4	6.7	THICKNESS 1.1mm
CSS-6.4(3M)	6.4	THICKNESS 0.9mm
CSS-8	8.3	THICKNESS 1.1mm
CSS-8(3M)	8.0	THICKNESS 0.9mm
CSS-10	10.3	THICKNESS 1.1mm
CSS-10(3M)	10.0	THICKNESS 0.9mm
CSS-11	10.8	THICKNESS 1.1mm
CSS-12.7	13.0	THICKNESS 1.1mm
CSS-12.7(3M)	12.7	THICKNESS 0.9mm

NOTE: 1. HEIGHT INCLUDE ADHESIVE TAPE, NOT INCLUDE RELEASE PAPER.

高度含背膠但不含離型紙厚度。

2. IT IS HAND-CUT ADHESIVE TAPE, SO CAN NOT PERFECTLY STICK EVENLY.



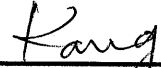
IT IS POSSIBLE TO HAVE SOME PORTION EXPOSED OR SHRINKING INWARD. THIS IS A NORMAL PHENOMENON.

此為手工背膠，貼附無法非常平整，會有外露或內縮屬正常現象。

3. MADE OF EQUIVALENT MATERIAL.

使用同等材質



 <p>康揚企業股份有限公司 KANG YANG HARDWARE ENTERPRISE CO., LTD. 康揚塑膠(東莞)有限公司 KANG YANG PLASTIC(DONG GUAN) CO., LTD. 康哲電腦配件(吳江)有限公司 KANG CHE COMPUTER COMPONENTS(WUJIANG) CO., LTD.</p>		TITLE SPACER SUPPORT	SPEC. DWG.
		MATERIAL NYLON 66 UL94V-2	DATE 2002.10.24
PART NUMBER SEE ABOVE		FINISH	DRAWN Linda
DRAWING NUMBER CSS-H		COLOR NATURAL	CHECK 
SIZE A4	SCALE 3:1	UNLESS OTHERWISE SPECIFIED TOLERANCE SEE ABOVE	APPROVED 
UNIT mm	REV E		