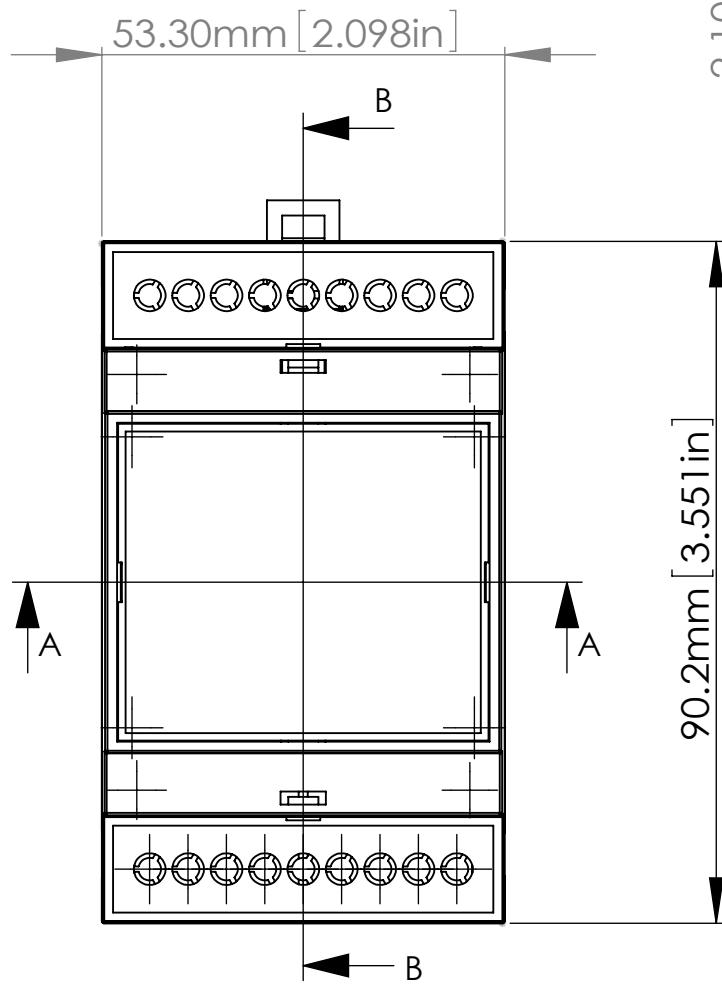
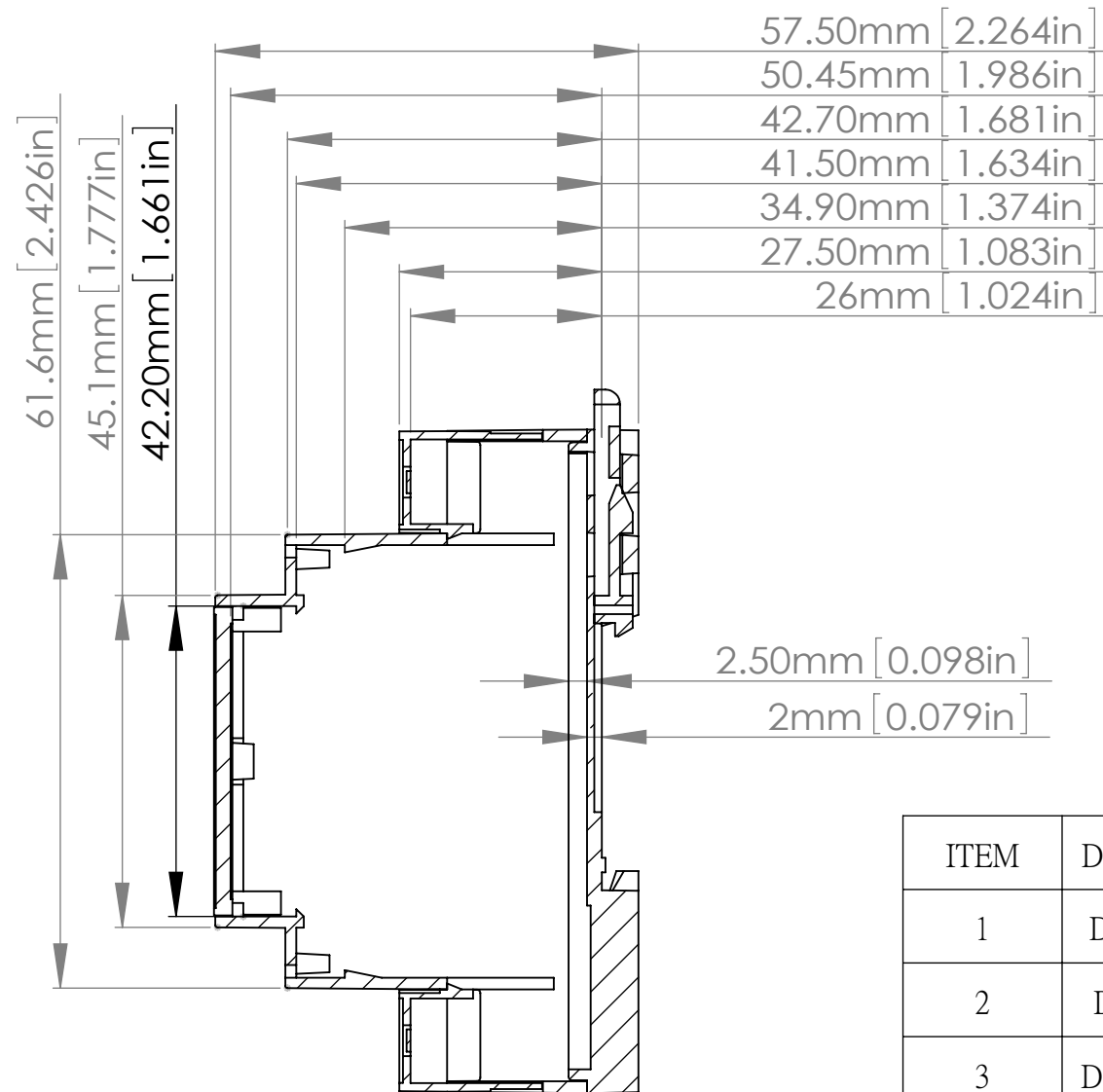


SECTION A-A  
SCALE 1 : 1

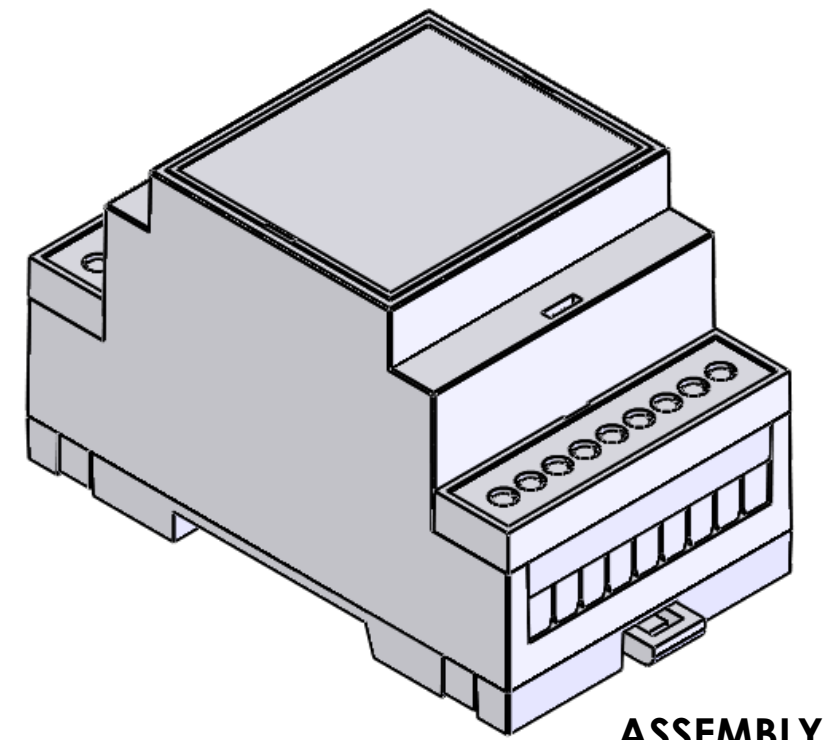
2.10mm [0.083in]  
2.10mm [0.083in]  
6.60mm [0.260in]  
46.70mm [1.839in]



SECTION B-B  
SCALE 1 : 1



2.50mm [0.098in]  
2mm [0.079in]



**ASSEMBLY**

ITEM	DESCRIPTION	MATERIAL	COLOUR	UNIT
1	D3MG-BODY	PC/ABS(UL94-V0)	GREY	1
2	D3MG-BASE	PC/ABS(UL94-V0)	GREY	1
3	D3MG-COVER	PC/ABS(UL94-V0)	GREY	1
4	D3MG-GUARD	PC/ABS(UL94-V0)	GREY	2
5	D3MG-WALL CLIP	NYLON66(UL94-V0)	DARK GREY	1

宣又實業有限公司  
GAINTA INDUSTRIES LTD.

繪圖 DRA'D BY  
JACKY

日期 DATE  
2010/4/15

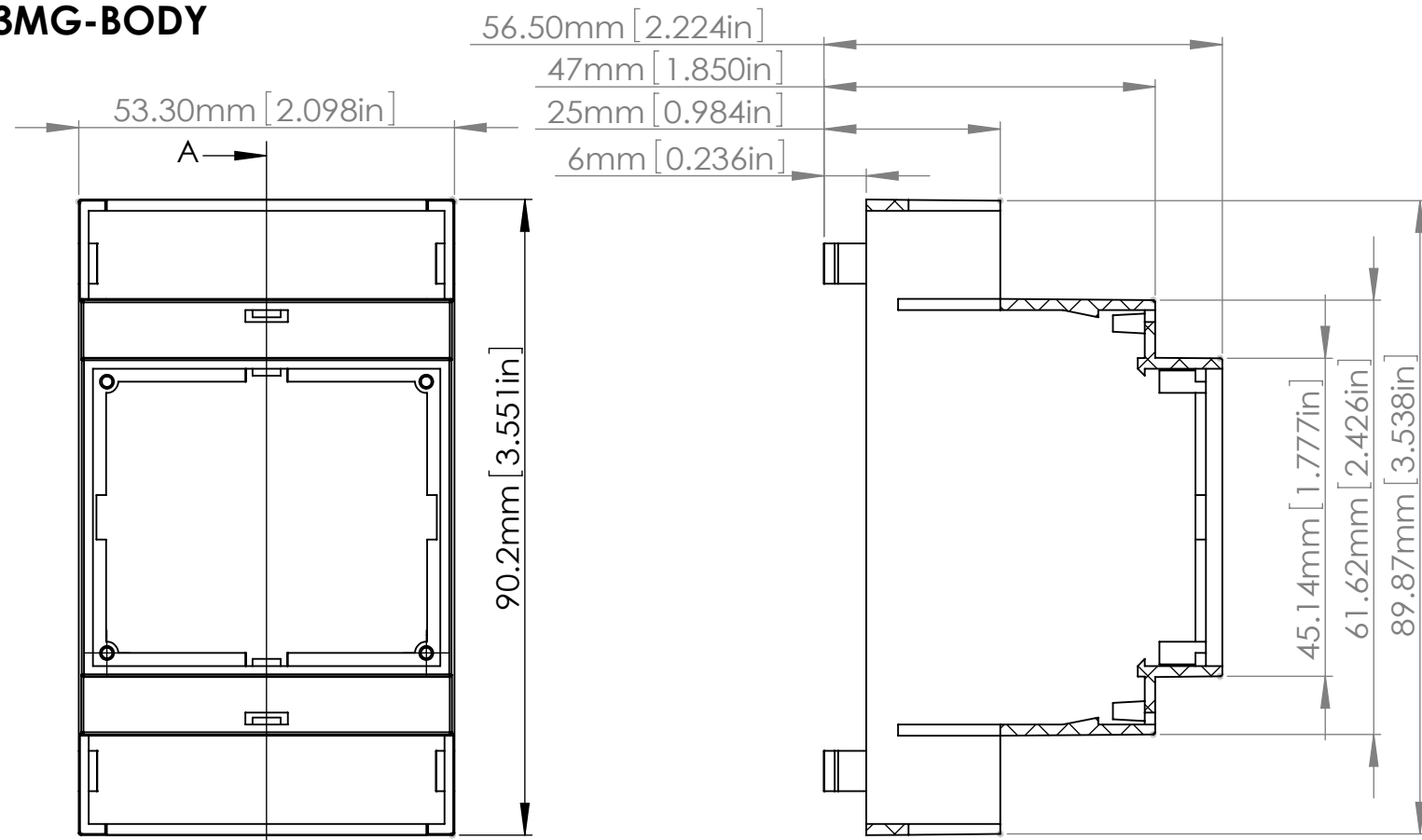
材質 MATE.  
PC/ABS(UL94-V0);  
NYLON66(UL94-V0)

圖名TITLE:  
D3MG-ASSEMBLY

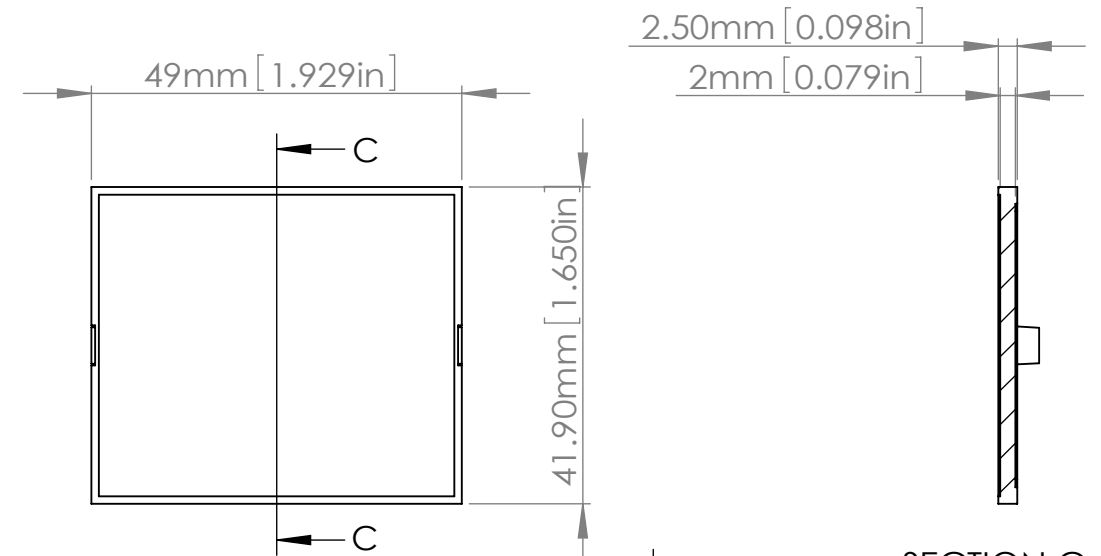
圖號DWG NO:

版次REVISID:  
A

### D3MG-BODY

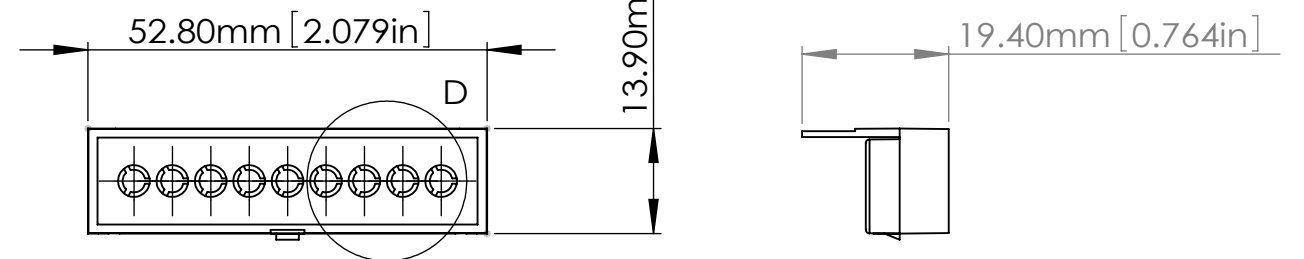


### D3MG-COVER



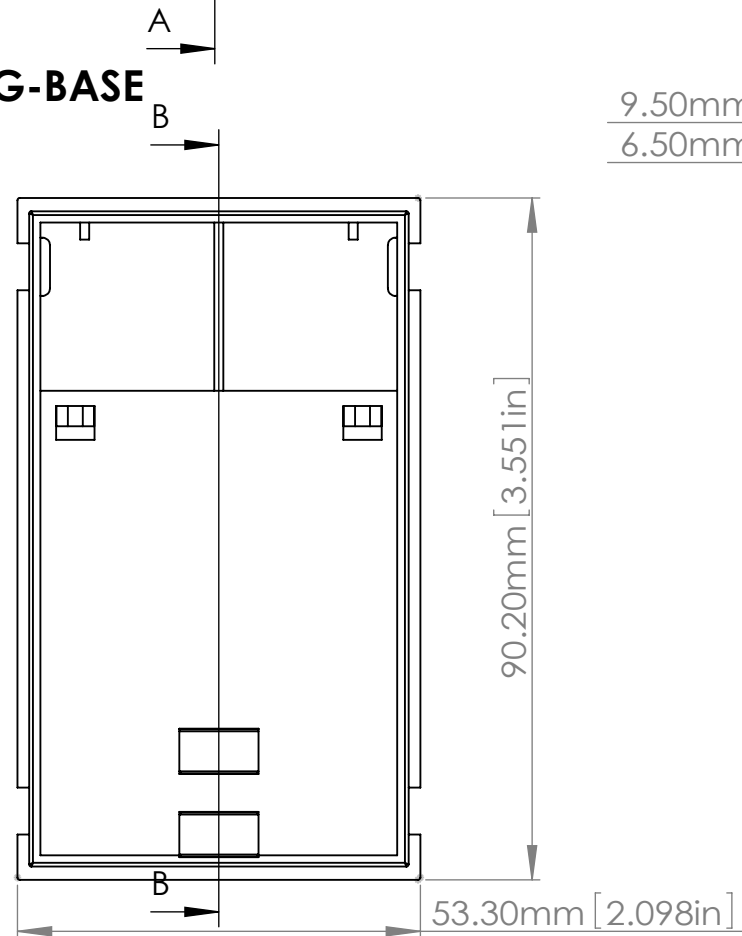
SECTION C-C  
SCALE 1:1

### D3MG-GUARD



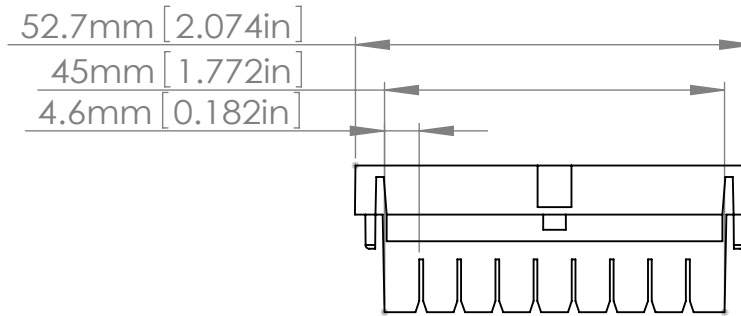
SECTION D  
SCALE 1:1

### D3MG-BASE

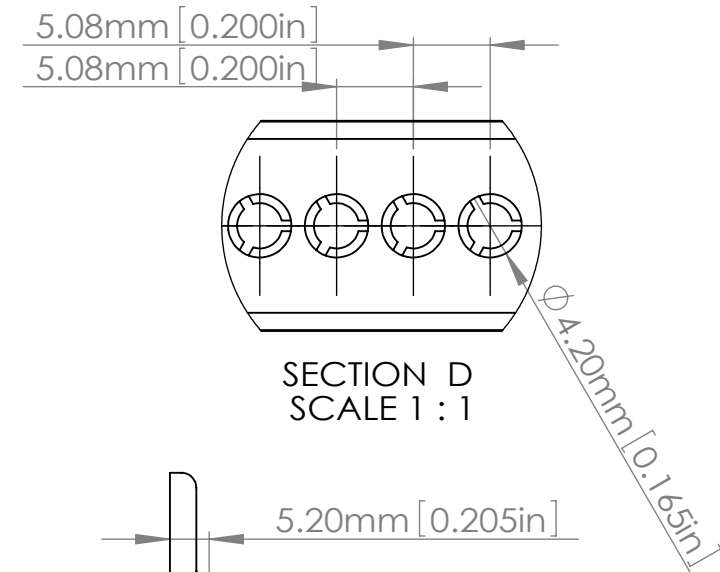


SECTION A-A  
SCALE 1:1

SECTION B-B  
SCALE 1:1



### D3MG-WALL CLIP



宣又實業有限公司  
GAINTA INDUSTRIES LTD.

繪圖

DRA'D BY

JACKY

日期

2010/4/13

DATE

材質

MATE.

PC/ABS(UL94-V0);  
NYLON66(UL94-V0)

圖名TITLE:

D3MG-PART

圖號DWG NO:

版次REVISID:

A