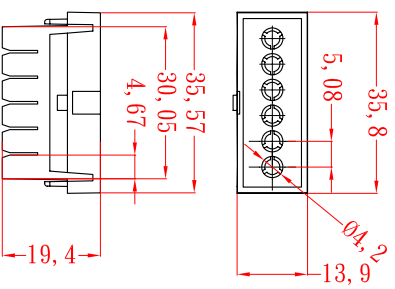
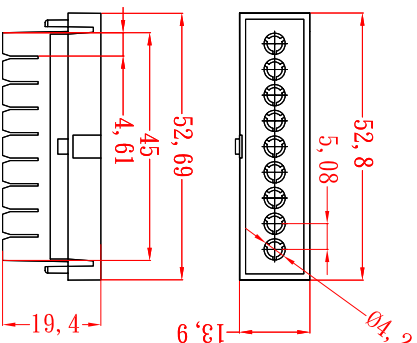


PERFORATED TERMINAL GUARDS



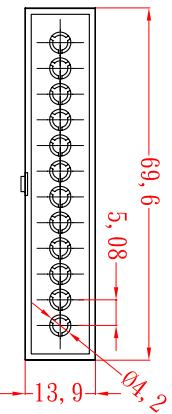
ITEM NO	DESCRIPTION
D2MG-GUARD	PERFORATED TERMINAL GUARD, PITCH 5.08 , GREY, FOR D2MG MODULE BOX USE

D2MG-GUARD



ITEM NO	DESCRIPTION
D3MG-GUARD	PERFORATED TERMINAL GUARD, PITCH 5.08 , GREY, FOR D3MG MODULE BOX USE

ITEM NO	DESCRIPTION
D6MG-GUARD	PERFORATED TERMINAL GUARD, PITCH 5.08 , GREY, FOR D6MG MODULE BOX USE



ITEM NO	DESCRIPTION
D4MG-GUARD	PERFORATED TERMINAL GUARD, PITCH 5.08 , GREY, FOR D4MG MODULE BOX USE

D4MG-GUARD

D3MG/D6MG/D9MG-GUARD

ITEM NO	DESCRIPTION
D9MG-GUARD	PERFORATED TERMINAL GUARD, PITCH 5.08 , GREY, FOR D9MG MODULE BOX USE

According to ISO 2768-m

Measuring DIM.=L	Tolerance	Measuring DIM.=L	Tolerance
0.5<L≤3.0 mm	±0.1 mm	30.0<L≤120.0 mm	±0.3 mm
3.0<L≤6.0 mm	±0.1 mm	120.0<L≤400.0 mm	±0.5 mm
6.0<L≤30.0 mm	±0.2 mm	400.0<L≤1000.0 mm	±0.8 mm