

REVISION RECORD				
REV	ECN	DESCRIPTION	DRFT	DATE

仅供参考图
 签字: *[Signature]*
 日期: 2015.11.18



NOTES1:

UL Standard

1. Rated Voltage/Current : 600V / 20A
2. Withstanding Voltage : AC2200V/1Min.
3. Torque Value : M2.5 , 3.54Lb.in
4. Wire Range : 26~12AWG

IEC Standard

1.

Pollution Degree	3
Overvoltage Category	III
Rate Impulse Voltage(KV)	8.0KV
Rate Voltage(V)	800V
Rate Current(A)	24A

2. Torque Value : M2.5 , 0.4N.m
3. Wire Range : 0.2~2.5mm²

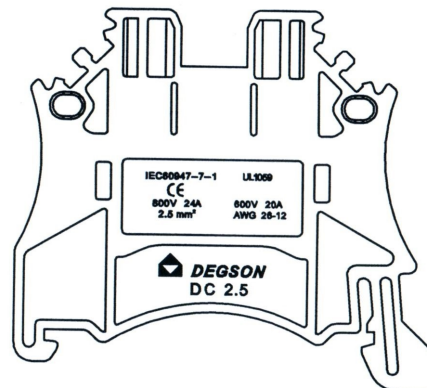
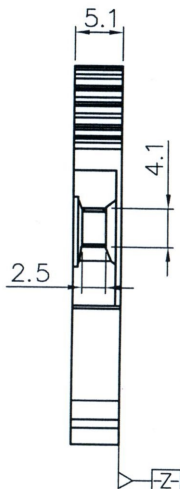
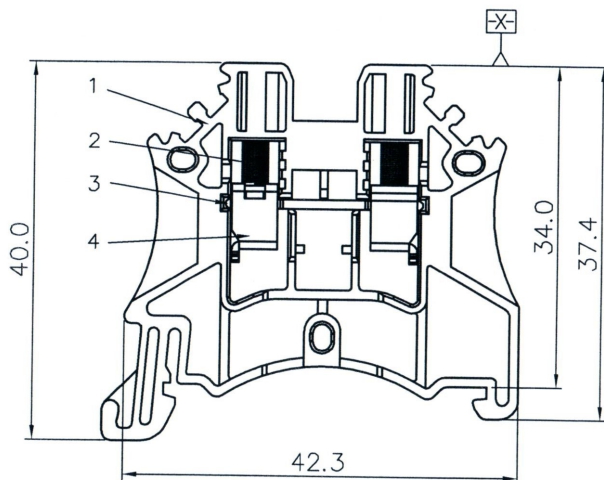
NOTES2:

1. Dimension shall be interpreted per ASME Y14.5-2009
2. Pitch : 5.1mm, Poles : 01P
3. Stripping length : 8-9mm
4. Operating temperature : -40°C~+105°C
5. Undimensioned Tolerances:

Pitch Range In mm	Nominal Dimension Range In mm							0.1/10
	Over 6 TO 10	Over 10 TO 24	Over 30 TO 60	Over 60 TO 100	Over 100 TO 150	Over 150	<	
±0.15	±0.20	±0.30	±0.30	±0.50	±0.70	±1.00	±1.30	±2'

6. RoHS Compliance

ITEM	NAME OF PART	Q'TY	MATERIAL	NOTES
4	GAGE	2	STEEL	M2.5/Zn PLATED
3	CURRENT CARRIER	1	COPPER ALLOY	Sn PLATED
2	SCREW	2	STEEL	M2.5/Zn PLATED
1	HOUSING	1	PA66	UL94V-0



DETACHED LISTS	PART NO.: /	宁波高松电子有限公司 DEGSON ® NINGBO DEGSON ELECTRICAL CO., LTD		
	APPD: Alan 11/18/15	NAME: DC2.5-01P-1Y-00A(H)		
	CHKD: Ding 2015.11.18	TITLE: CUSTOMER DRAWING		
	DRFT: ding 2015/10/24	DRAWING NO.: DC2.5-C01	REV	DO-1
THIRD ANGLE PROJECTION		DO NOT SCALE DRAWING	SHEET	1/1
		SCALE	1:1	

H
G
F
E
D
C
B
A