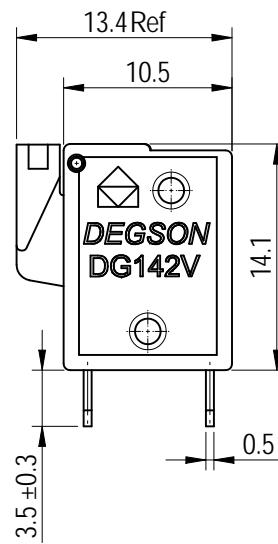
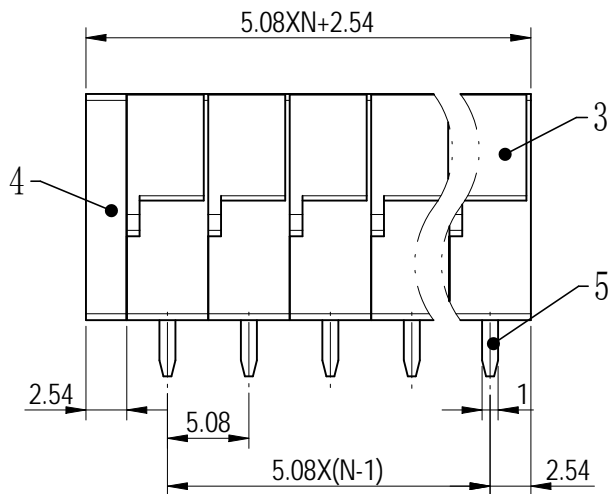
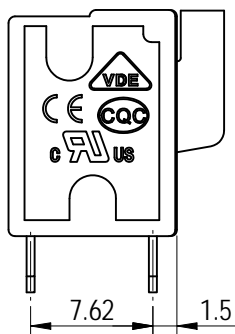
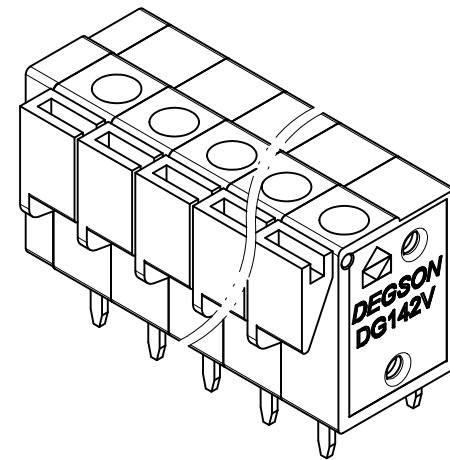
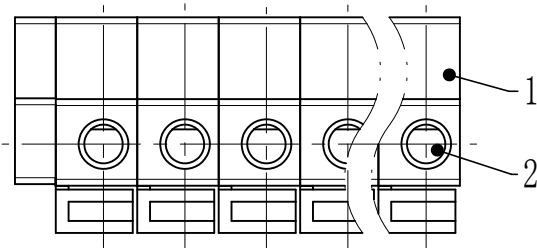


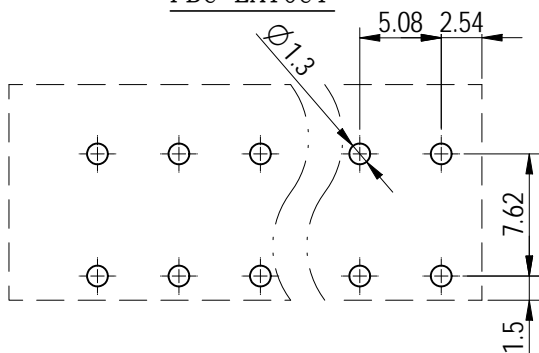
公差/General tolerances (mm)													D 0.1/10	
0	>3	>6	>10	>18	>30	>50	>80	>120	>180	>250	>315	>400		>500
±0.12	±0.18	±0.22	±0.26	±0.31	±0.37	±0.57	±0.80	±0.93	±1.05	±1.15	±1.60	±2.20	±2.50	±2



Note:
The A&Z(H) in the name means: A(H) and Z(H).

ITEM	NAME OF PART	MATERIAL	NOTES
5	Pin header	Copper alloy	Sn Plated
4	Cover	PA66	UL94V-0
3	Button	PA66	UL94V-0
2	Spring	Stainless steel	/
1	Housing	PA66	UL94V-0

PBC LAYOUT



UL 标准/UL Standard:	B	C	D
额定电压/电流/Rated Voltage(V)/Current(A)	300/10	300/10	300/10
IEC 标准/IEC Standard:			
过压类别/Ovenvoltage Category/污染等级/Pollution Degree	III/3	III/2	II/2
额定电压/电流/Rated Voltage(V)/Current(A)	/	250/15	/
工频耐压/Withstanding Voltage(V/Min)	AC2000		
线径范围(硬线和软线)/Wire Range(rigid and flexible)(mm ² /AWG)	0.2-1.5/22-16		
间距/Pitch(mm)/线数范围/Poles	5.08/N=02-24P		
剥线长度/Stripping length(mm)	10		
使用温度范围/Operating temperature(°C)	-40~+105		
符合RoHS环保要求/Conform to RoHS	Yes		

DEGSON MATERIAL: SURFACE/COLOR: /00 MAT STATUS: 批量

APPD: 兰春华 2022.08.10 NAME: DEGSON
 CHKD: 陈超 2022.08.10
 DRFT: 黄徐涛 2022.08.10

DRAWING NO. 200031775 TYPE CUSTOMER DRAWING DRAWING STATUS 已发布 SCALE 1:1 SHEET 1/1

REV	ECN	DESCRIPTION	DRFT	DATE
00				2022.08.10

Transfer or duplication of this document as well as the utilization of its contents without the written permission of DEGSON is prohibited. All rights reserved for patent.