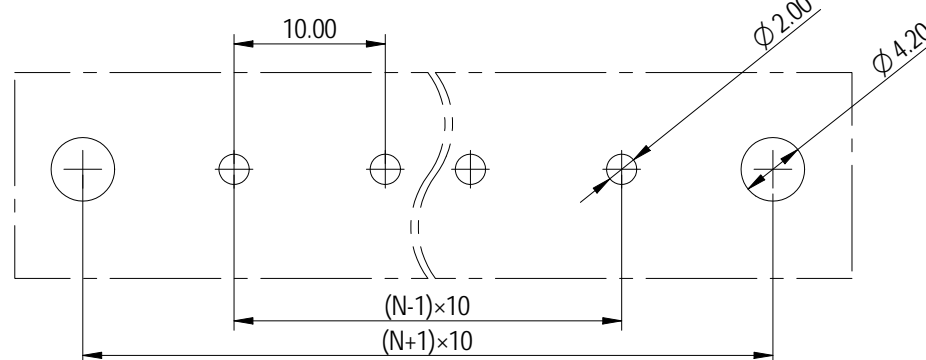
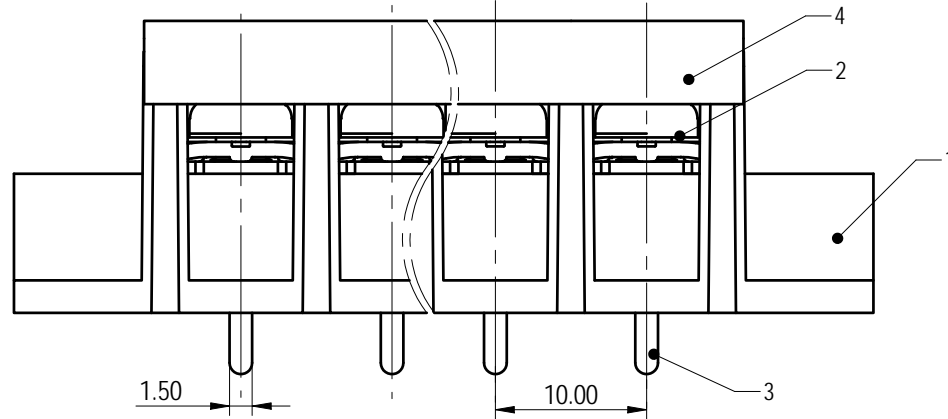
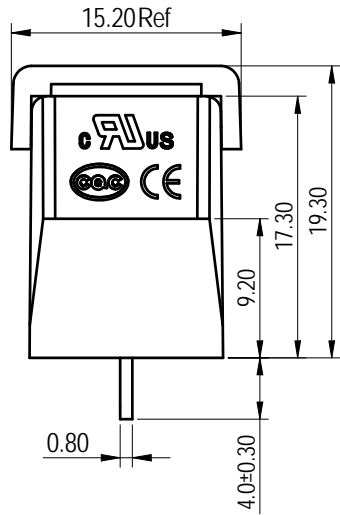
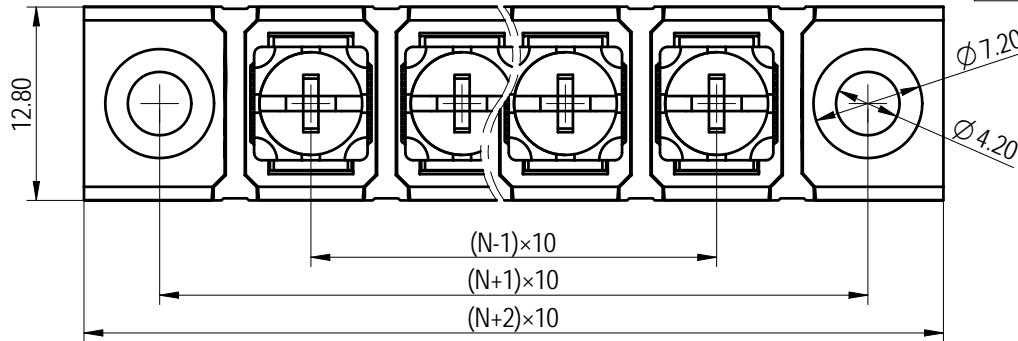


未注公差/General tolerances (mm)												0.1/10	
0	>3	>6	>10	>18	>30	>50	>80	>120	>180	>250	>315		>400
~3	~6	~10	~18	~30	~50	~80	~120	~180	~250	~315	~400	~500	>500
±0.12	±0.18	±0.22	±0.26	±0.31	±0.37	±0.57	±0.80	±0.93	±1.05	±1.15	±1.60	±2.20	±2.50

(W/O COVER VIEW)



PCB LAYOUT

Note: The A&Z(H) in the name means: A(H) and Z(H).

ITEM	NAME OF PART	MATERIAL	NOTES
4	Cover	PC	UL94V-0
3	Pin header	Copper alloy	M4/Sn Plated
2	Screw	Steel	M4/Ni Plated
1	Housing	PA66	UL94V-0

UL 标准/UL Standard:			
额定电压/电流/Rated Voltage(V)/Current(A)	B	C	D
300/20	/	300/10	
螺丝扭矩/Torque Tightening(N·m/Lb.in)	M4, 1.2/10.53		
线径范围(硬线和软线)/Wire Range(rigid and flexible)(AWG/mm ²)	22~12		
间距/Pitch(mm)/线数范围/Poles	10/N=02~20P		
使用温度范围/Operating temperature(°C)	-40~+105		
符合RoHS环保要求/Conform to RoHS	Yes		

DEGSON		MATERIAL:	SURFACE/COLOR:	
APPD: 蓝贵凡	2022.12.05	MAT NO./REV:	/ 00	
CHKD: 曹利彬	2022.12.05	NAME		
DRFT: 孙科豪	2022.12.05	DG58C-A-XXP-1Y-00A&Z(H)		
DRAWING NO. 200122760		TYPE	DRAWING STATUS	SCALE
CUSTOMER DRAWING		已发布	2:1	SHEET 1/1

REV	ECN	DESCRIPTION	DRFT	DATE
00				

Transfer or duplication of this document as well as the utilization or communication of its contents are prohibited unless authorized in writing. All rights reserved for patent, utility model or design registrations. 除专利、实用新型、外观设计、商标、印刷、光磁等文件外，其他文件均受法律保护。未经许可，不得复制或传播。