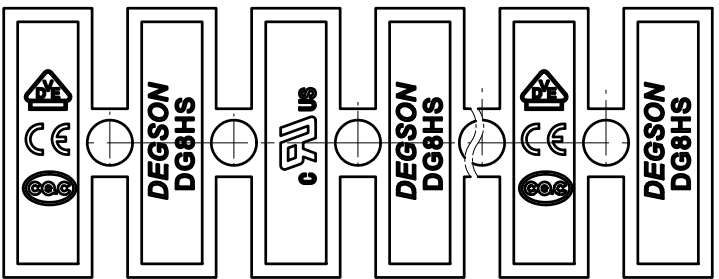
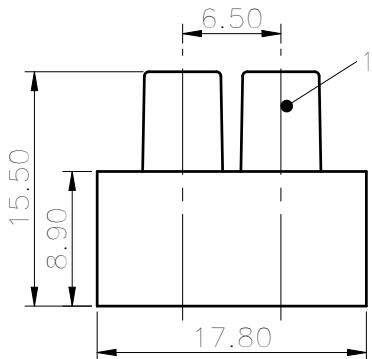
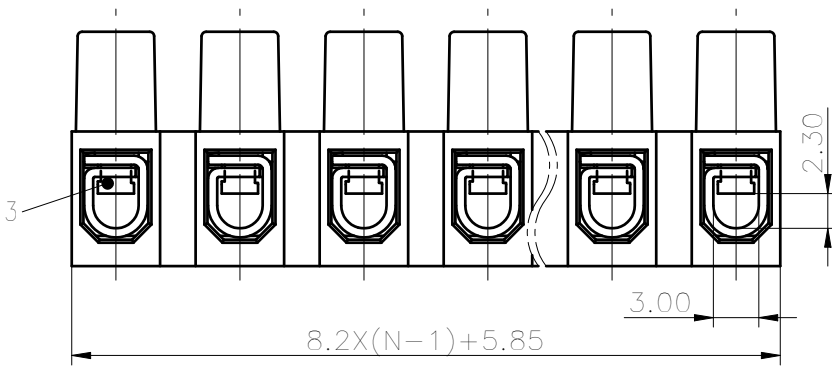
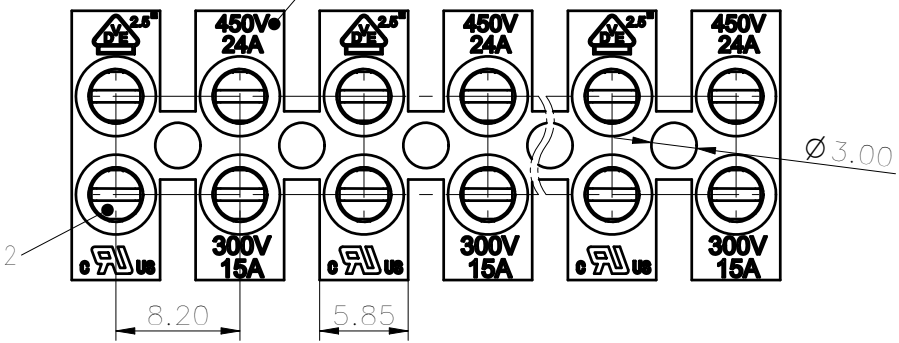


未注公差/General tolerances(mm)														
0	>3	>6	>10	>18	>30	>50	>80	>120	>180	>250	>315	>400	>500	0.1/10
~3	~6	~10	~18	~30	~50	~80	~120	~180	~250	~315	~400	~500	~500	
±0.12	±0.18	±0.22	±0.26	±0.31	±0.37	±0.57	±0.80	±0.93	±1.05	±1.15	±1.60	±2.20	±2.50	±2'

DG8HSPW和DG8HS电流不同



Note: The A&Z(H) in the name means: A(H) and Z(H).

ITEM	NAME OF PART	MATERIAL	NOTES
3	Current carrier	Steel+Copper alloy	Zn plated
2	Screws	Steel	Zn Plated/M2.5
1	Housing	PA66	UL94V-2

UL 标准/UL Standard:	B	C	D
额定电压/电流/Rated Voltage(V)/Current(A)	300/15	/	300/10
IEC 标准/IEC Standard:	450/24		
螺丝扭矩/Torque Tightening(N·m/Lb.in)	M2.5, 0.4/3.54		
线径范围(硬线和软线)/Wire Range(rigid and flexible)(AWG/mm ²)	20~14 / 0.5~2.5		
间距/Pitch(mm)/线数范围/Poles	8.20/N=2~12P		
使用温度范围/Operating temperature(°C)	-40~-+105		
符合RoHS环保要求/Conform to RoHS	Yes		

DEGSON		MATERIAL:	SURFACE/COLOR:
		MAT. NO./REV:	MAT STATUS: 批量
APPD: 蓝贵凡	2022.12.05	NAME	
CHKD: 曹利彬	2022.12.05	DG8HSPW-XXP-1Y-100A&Z(H)	
DRFT: 孙科豪	2022.12.05	DRAWING NO.	TYPE
		200051342	CUSTOMER DRAWING
		DRAWING STATUS	SCALE
		已发布	2:1
		SHEET	1/1

REV	ECN	DESCRIPTION	DRFT	DATE
00				

Transfer or duplication of this document as well as the utilization or communication of its contents are prohibited unless written authorization is granted. Degson will be liable for compensation. All rights reserved for patent, utility model or design registrations. 非经书面授权, 复制或转授, 否则禁止转让、复制、利用、交流本文件的内容, 一经发现, 侵权者将承担法律责任。 本公司保留对涉及发明、实用新型和外观设计的所有权利。