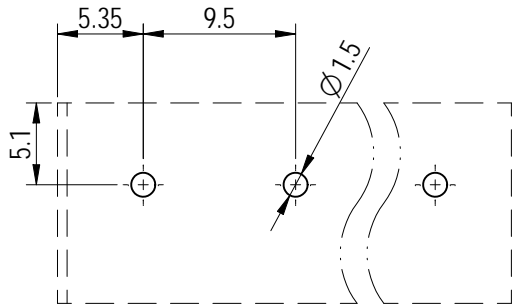
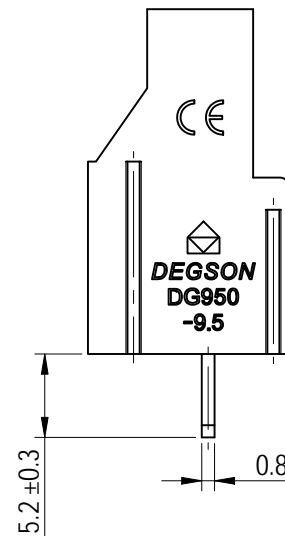
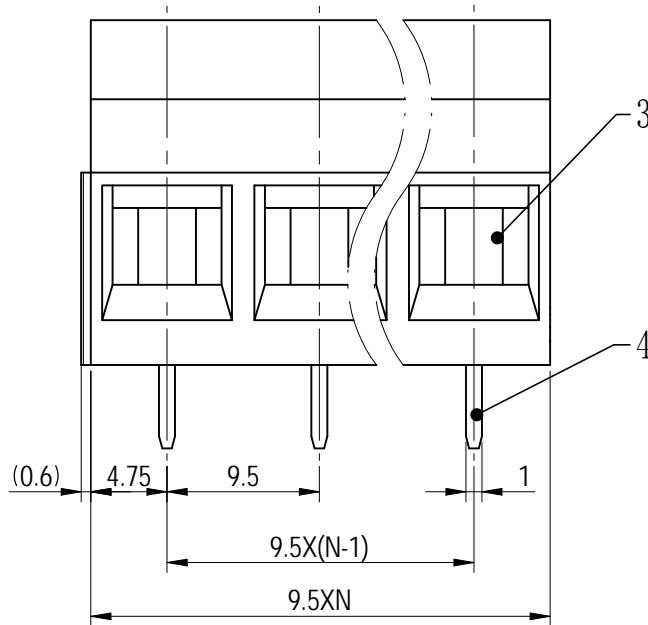
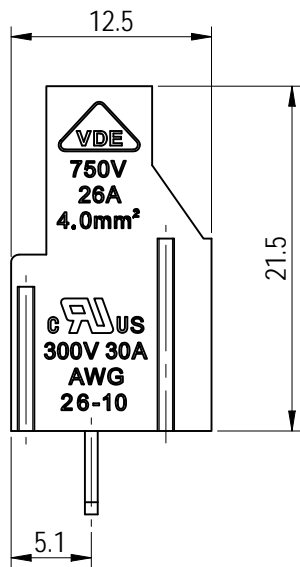
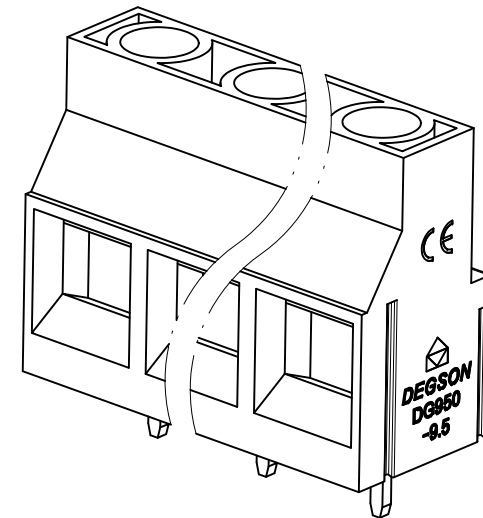
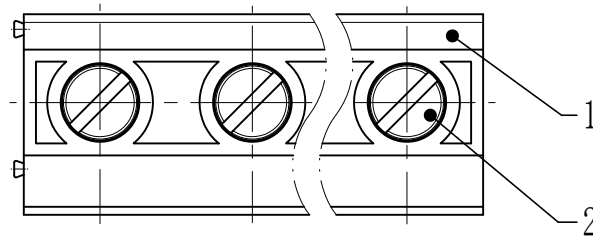


# PCB LAYOUT



公差/General tolerances (mm)													$\frac{D}{\phi}$	
0	>3	>6	>10	>18	>30	>50	>80	>120	>180	>250	>315	>400	>500	0.1/10
~	~	~	~	~	~	~	~	~	~	~	~	~	~	$\frac{D}{\phi}$
3	6	10	18	30	50	80	120	180	250	315	400	500	>500	$\pm 2$
$\pm 0.12$	$\pm 0.18$	$\pm 0.22$	$\pm 0.26$	$\pm 0.31$	$\pm 0.37$	$\pm 0.57$	$\pm 0.80$	$\pm 0.93$	$\pm 1.05$	$\pm 1.15$	$\pm 1.60$	$\pm 2.20$	$\pm 2.50$	



Note:  
The A&Z(H) in the name means: A(H) and Z(H).

ITEM	NAME OF PART	MATERIAL	NOTES
4	Pin header	Copper alloy	Sn Plated
3	Cage	Copper alloy	M3/Ni Plated
2	Screw	Steel	M3/Zn Plated
1	Housing	PA66	UL94V-0

UL 标准/UL Standard:	B	C	D
额定电压/Rated Voltage(V)/Current(A)	300/30	300/30	600/5
IEC 标准/IEC Standard:			
过压类别/Overvoltage Category/污染等级/Pollution Degree	III/2		
额定电压/Rated Voltage(V)/Current(A)	750/26		
工频耐压/Withstanding voltage(V/1Min)	AC3000		
螺丝扭矩/Torque Tightening(N·m/Lb.in)	M3: 0.5/4.43		
线径范围(硬线和软线)/Wire Range(rigid and flexible)(AWG/mm²)	26~12 / 1.5~4.0		
间距/Pitch(mm)/线数范围/Poles	9.5/N=02~12P		
剥线长度/Stripping length(mm)	8~9		
使用温度范围/Operating temperature(°C)	-40~+105		
符合RoHS环保要求/Conform to RoHS	Yes		

<b>DEGSON</b>		MATERIAL:	SURFACE/COLOR:		
APPD: 兰春华	2022.09.05	MAT NO./REV:	/	00	MAT STATUS: 批量
CHKD: 陈超	2022.09.05	NAME: DG950-9.5-XXP-1Y-00A&Z(H)			
DRAFT: 黄徐涛	2022.09.02	DRAWING NO.	TYPE	DRAWING STATUS	SCALE
00	REV	ECN	DESCRIPTION	DATE	DRFT
00	REV	ECN	DESCRIPTION	DATE	DRFT
200103352		CUSTOMER DRAWING		已发布	1:1
A3		1:1		1/1	

Transfer or duplication of this document as well as the utilization of its contents in any form without the written permission of DEGSON is prohibited. All rights reserved for patent.