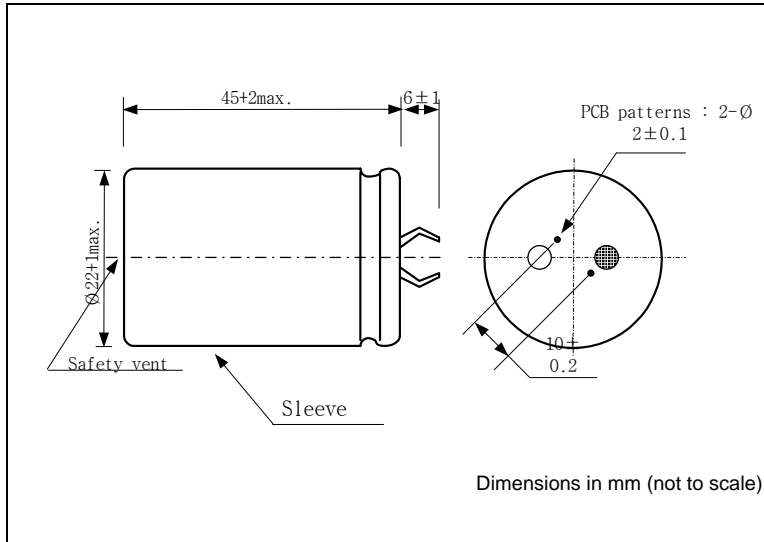


NESSCAP 100F/2.7V

ESHSR-0100C0-002R7

■ Features

- Cylindrical cell
- Snap-in terminals



■ Specifications

Rated Capacitance, C (DCC⁽¹⁾, 25°C)	100 Farads	(1) Discharging with constant current	
Capacitance Tolerance	-10% / +20%		
Rated Voltage, V_R	2.7 V		
Surge Voltage	2.85 V		
Rated Current (25°C)⁽²⁾	21.4 A	(2) 5 sec discharge rate to 1/2 V_R	
Max. Current (25°C)⁽³⁾	> 58.7 A	(3) 1 sec discharge rate to 1/2 V_R	
Max. Stored Energy (at V_R)	364.5J (0.1013 Wh)		
Specific Energy	Gravimetric	4.50 Wh/kg	
	Volumetric	5.92 Wh/l	
Specific Power⁽⁴⁾ (at matched load)	Gravimetric	6.23 kW/kg	(4) Power density at which one-half the energy of the discharge is in the form of electricity and one-half is in heat.
	Volumetric	8.20 kW/l	
Maximum Internal Resistance (ESR)	AC (1kHz)	10 mΩ	
	DC (11A)	13 mΩ	
Dimensions	φ 22 x 45 mm		
Volume	17.1 ml		
Weight	22.5 g		
Operating temperature range⁽⁵⁾	-40 ~ 60 °C	(5) ΔC < 20% and ESR < 2 times of initially measured value at 25°C, respectively	
Storage temperature range	-40 ~ 70 °C		
Max. Leakage Current, L_C (12h, 25°C)	1.7 mA		
Life Time at RT⁽⁶⁾	10 years	(6) ΔC < 30% and ESR < 2 times of initially measured value, respectively and LC < specified value	
Cycle Life (25°C)^{(6), (7)}	500,000 cycles	(7) 1 cycle: charging to V_R for 20s, constant voltage charging for 10s, discharging to 1/2V_R for 20s, rest for 10s	