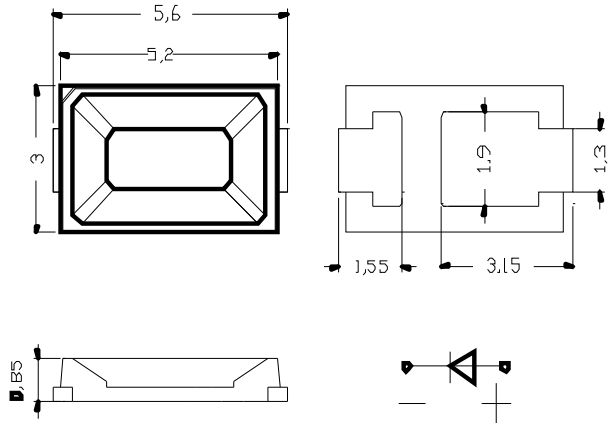


GNL-5630XX (5.6X3.0mm TOP TYPE)

ABSOLUTE MAXIMUM RATING:(Ta=25°C)

Parameter	Symbol	Max	Unit
DC Forward Current	I_F	150	mA
Reverse Voltage	V_R	6	V
Reverse Current (Vr=5V)	I_R	10	μ A
Peak Forward Current ,tw ,=1 msec Duty ,=1/20	I_{FP}	350	mA
Operation Temperature	Topr	-20-80	°C
Storage Temperature	Tstg	-40-80	°C
Solder Dip (10seconds,1.6mm from body) Temperature		260	°C

Package Dimensions



1、 All dimensions are in millimeters

2、 Tolerance of + or - 0.25mm 0.010 in. (unless otherwise noted)

Part Number	EMITTED COLOR		Peak Wavelength (nm)	Vf (v) Typ	If (mA) Typ	CRI (Ra)	Power (W)	Luminous Flux lm		View Angle 2 θ 1/2
								Min.	Max.	
GNL-5630UWC-C24	INGaN	COLD WITE	5500K-7000K	3.2	150	70	0.5	40 @ 150mA	45 @ 150mA	120°
GNL-5630UWC-Y24	INGaN	WRAM WITE	2800K-3200K	3.2	150	70	0.5	40 @ 150mA	45 @ 150mA	120°
GNL-5630UWC-C50	INGaN	COLD WITE	5500K-7000K	3.2	150	70	0.5	50 @ 150mA	55 @ 150mA	120°
GNL-5630UWC-Y50	INGaN	WRAM WITE	2800K-3200K	3.2	150	70	0.5	50 @ 150mA	55 @ 150mA	120°