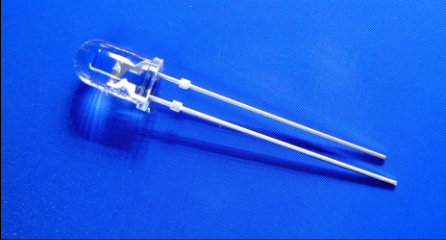
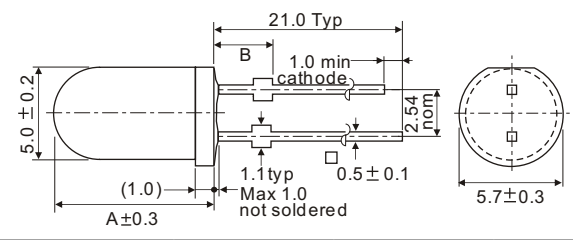


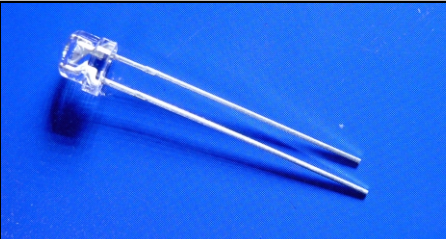
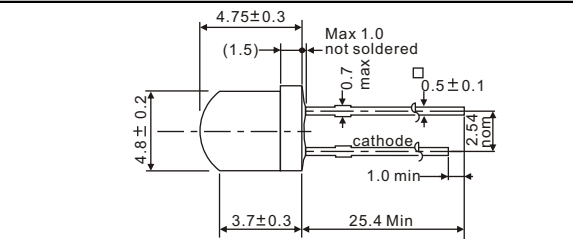
# White Extra Bright LEDs


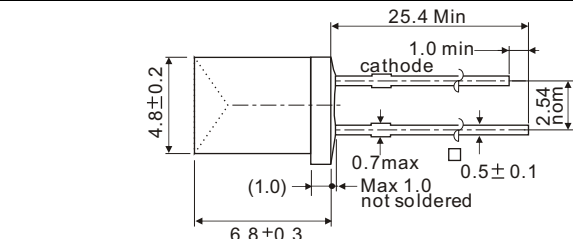
(sensitive to static electricity)

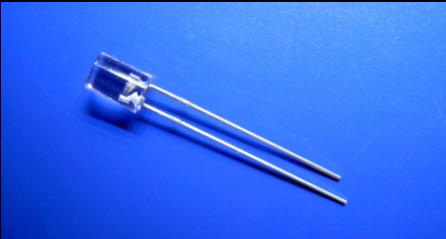
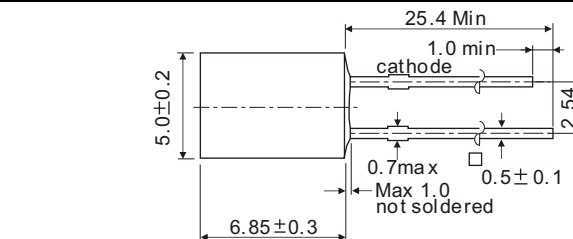
Ta=25°C

Device No	Color		CIE Coordinates Typical		VF Typical (V)	Brightness (mcd)		View Angle 2θ1/2
	Material	Lens	X	Y		IV1	IV2	

5		 <table border="1" data-bbox="1173 459 1500 526"> <thead> <tr> <th></th> <th>A</th> <th>B</th> </tr> </thead> <tbody> <tr> <td>HB5-439AW/P</td> <td>8.6</td> <td>3.8</td> </tr> <tr> <td>HB5-439AW-C/P</td> <td>8.3</td> <td>3.8</td> </tr> </tbody> </table>								A	B	HB5-439AW/P	8.6	3.8	HB5-439AW-C/P	8.3	3.8
		A	B														
	HB5-439AW/P	8.6	3.8														
HB5-439AW-C/P	8.3	3.8															
HB5-439AW/P	GaN/GaN	Water clear	0.31	0.32	3.6	9000	20000	20									
HB5-439AW-C/P	GaN/GaN	Water clear	0.31	0.32	3.6	3500	6000	50									

5									
	HB5G-439AWD	GaN/GaN	Water clear	0.30	0.31	3.6	500	2700	80
	HB5G-439AWE	GaN/GaN	Water clear	0.30	0.31	3.6	650	3500	
	HB5G-439YWE	GaN/GaN	Water clear	0.40	0.41	3.6	500	2700	
	HB5G-439AWF	GaN/GaN	Water clear	0.30	0.31	3.6	970	5200	
	HB5G-439YWF	GaN/GaN	Water clear	0.40	0.41	3.6	650	3500	

4.8 back light									
	HB5C-439AWD	GaN/GaN	Water clear	0.30	0.31	3.6	30	60	135
	HB5C-439AWE	GaN/GaN	Water clear	0.30	0.31	3.6	50	90	
	HB5C-439AWF	GaN/GaN	Water clear	0.30	0.31	3.6	70	120	

5									
	HC5-439AWD	GaN/GaN	Water clear	0.29	0.31	3.6	110	200	125
	HC5-439AWE	GaN/GaN	Water clear	0.29	0.31	3.6	130	250	
	HC5-439AWF	GaN/GaN	Water clear	0.29	0.31	3.6	160	320	

IV1:Labsphere LED-1100 IV2:EXELTRON 2001.