



# KAMCAP SUPERCAPACITOR

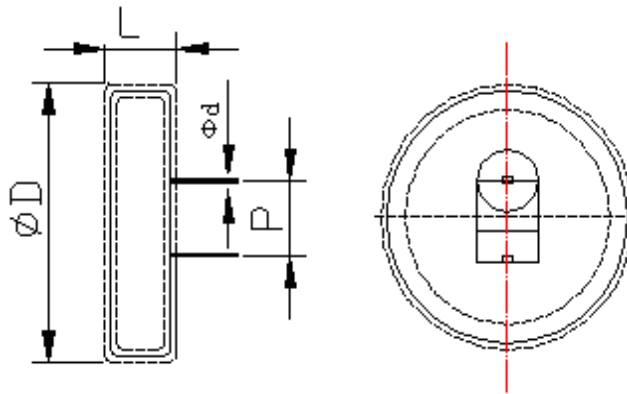
# SE D

## FEATURES

- Serial structure, two cell with the same Characteristics
- Ideal for backing up of CMOS's, microcomputers, RAM's and the like used in VCR's, turners, TV sets, telephone sets and other.
- Low ESR, high energy density.



SPECIFICATIONS	
Operating temperature	-25°C~70°C
Rate voltage	5.5V
Surge Voltage	6.3V
Max Capacitance tolerance	-20%~80%
Temperature Characteristics	+70°C   $\Delta C/C$   $\leq 30\%$ , ESR $\leq 100\%$ of the specified value at 25°C -25°C   $\Delta C/C$   $\leq 50\%$ , ESR $\leq 400\%$ of the specified value at 25°C
High temperature load	After 1000h, +70°C $\pm 2$ , nominal voltage,   $\Delta C/C$   $\leq 30\%$ of the initial measured value, ESR $\leq 400\%$ of the initial specified value
High temperature without load	After 1000h, +70°C $\pm 2$ , nominal voltage,   $\Delta C/C$   $\leq 30\%$ of the initial measured value, ESR $\leq 200\%$ of the initial specified value
Humidity Resistance	After +40°C $\pm 2$ , 90~95%RH, 240h,   $\Delta C/C$   $\leq 30\%$ of the initial measured value, $\Delta L$ $\leq 200\%$ of the initial specified value, ESR $\leq 4$ time of the initial specified value



Part Number	Rated Capacitance (F)	Operating Voltage (V)	ESR 1kHz (Ω)	Size (mm $\Phi D \times L$ ) $\pm 0.5\text{mm}$	P(mm) $\pm 0.5\text{mm}$	$\Phi d$ (mm) $\pm 0.1\text{mm}$
SE-5R5-D104VYC	0.1	5.5	55	13.5×6.5	5	0.8
SE-5R5-D224VYC	0.22	5.5	44	13.5×6.5	5	0.8
SE-5R5-D334VYC	0.33	5.5	44	13.5×6.5	5	0.8
SE-5R5-D474VYC	0.47	5.5	22	20.5×7.5	6/5	0.8
SE-5R5-D105VYC	1	5.5	22	20.5×7.5	6/5	0.8
SE-5R5-D155VYC	1.5	5.5	11	20.5×7.5	6/5	0.8