

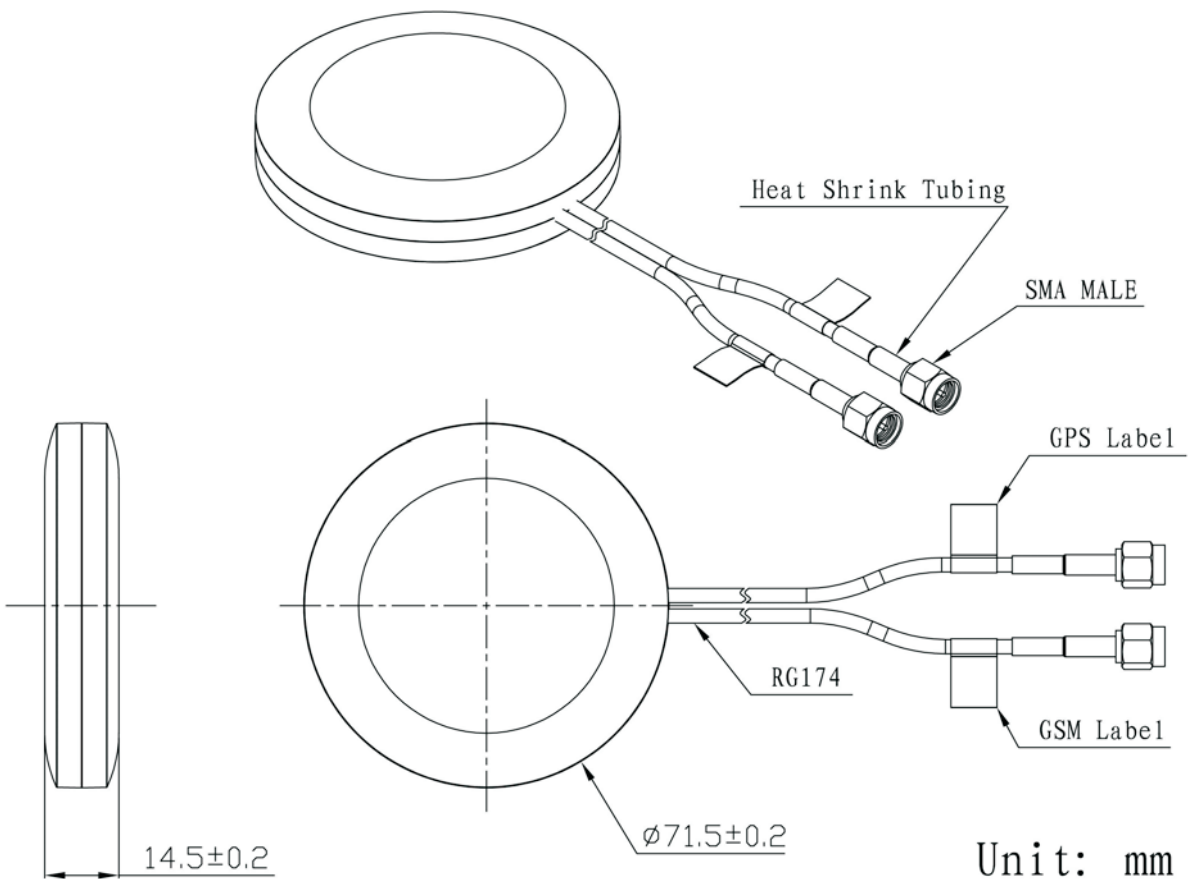
**GPS Antennas**

KLS1-GPS+GSM-05-SMA-M-SMA-M-RG174-3000MM-A

GPS+GSM Combination Antenna



**DIMENSIONS**



Unit: mm

## GPS Antennas

KLS1-GPS+GSM-05-SMA-M-SMA-M-RG174-3000MM-A

### SPECIFICATIONS



Item		Specifications	
GPS Antenna	Dielectric Antenna	Center Frequency	1575.42±1MHz
		Band Width	CF±5MHz
		Polarization	RHCP
		Gain	5dBic (Zenith)
		V.S.W.R	<1.5
		Impedance	50Ω
		Axial Ratio	3dB (max)
	LNA	Gain	28±2dBi
		Noise Figure	<1.5
		Ex-band Attenuation	12dB@CF+50MHz/16dB@CF-50MHz
		V.S.W.R	<2.0
		Supply Voltage	2.2~5V DC
		Current Consumption	5~15mA
GSM Antenna		Frequency Range	824~960MHz/1710~2170MHz
		V.S.W.R (min)	<2.5
		Polarization	Linear
		Gain	2dBi
		Impedance	50Ω
Mechanical		Cable	RG174
		Connector	SMA/MCX/FAKRA or others
		Radome Material	ABS
		Mounting Method	Magnet
Environmental		Operating Temperature	-40°C~+85°C
		Relative Humidity	Up to 95%
		Vibration	10 to 55Hz with 1.5mm amplitude 2hours
		Environmentally Friendly	ROHS Compliant

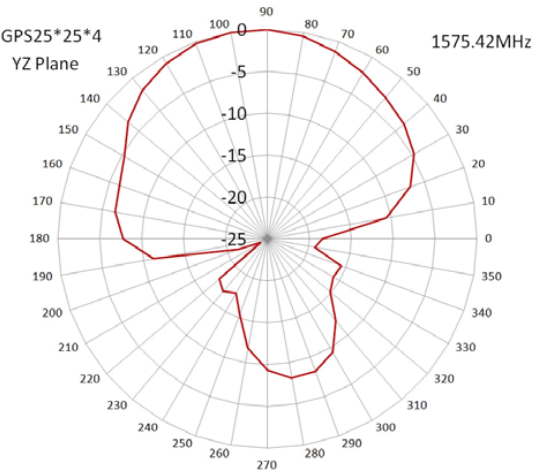
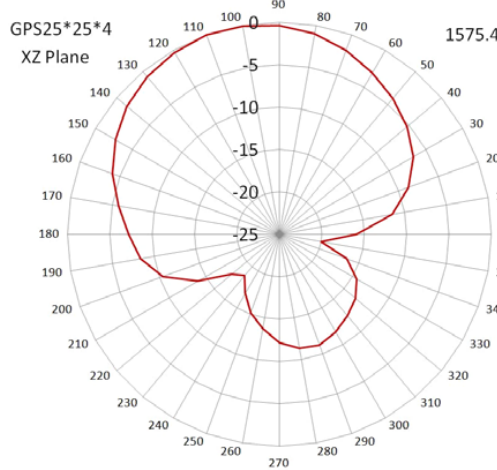
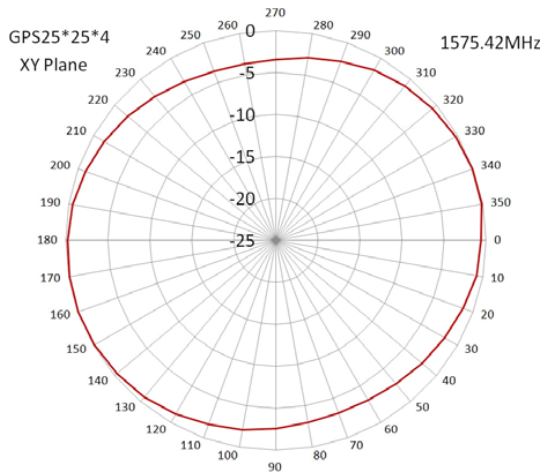
**GPS Antennas**

KLS1-GPS+GSM-05-SMA-M-SMA-M-RG174-3000MM-A

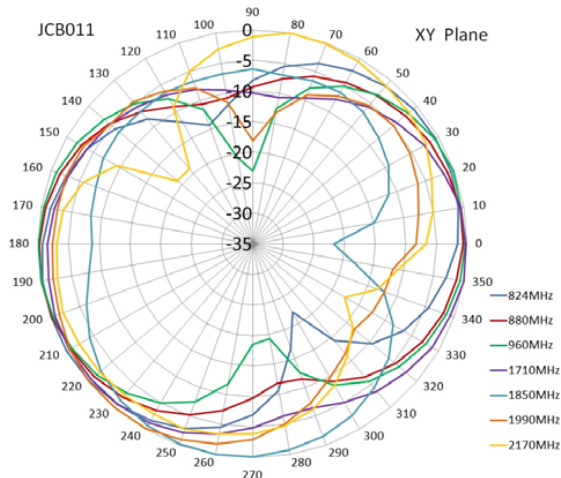
**Radiation Pattern**



GPS Antenna



GSM Antenna



## GPS Antennas

KLS1-GPS+GSM-05-SMA-M-SMA-M-RG174-3000MM-A

