

RCA JACK Series

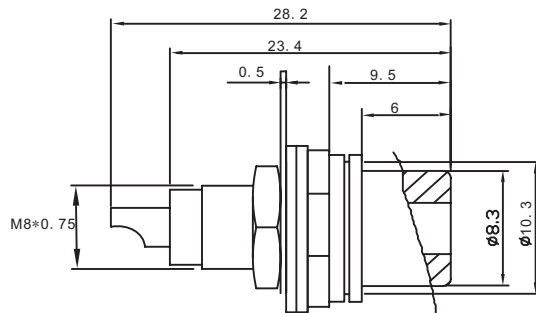
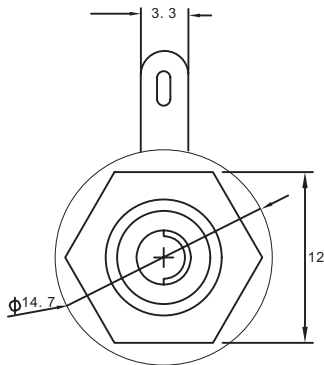
KLS1-RCA-108 Glod Plated Panel RCA Jack

Electrical Specification:

Contact resistance : 30mΩ Max
 Insulation resistance : 50MΩ Min at DC 500V
 Withstand voltage : AC 500V(50Hz) 1min
 Operating Temperature : -25°C~+85°C

Materials

Contacts : Brass
 Housing : Brass
 Insulation Washer : PBT UL94V~0
 Insert Ring : ABS UL94V~0



ORDER INFORMATION

Product NO.: KLS1-RCA-108-G-R

Pos. NO. _____
 RCA Jack Type _____
 G:Gold Plated _____

Color: R: Red
 B: Black
 Y: Yellow
 W: White
 G: Green
 L: Blue