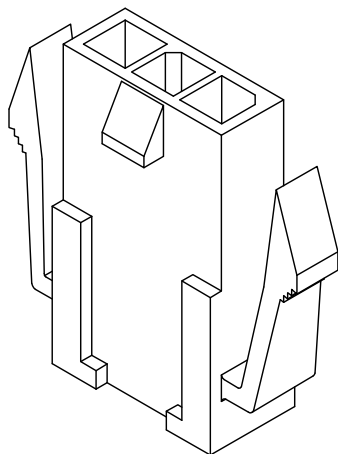
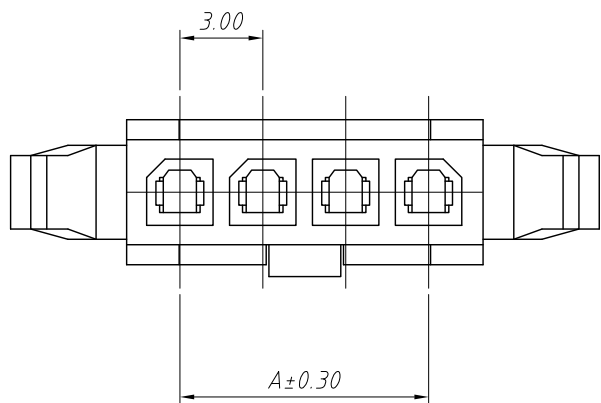


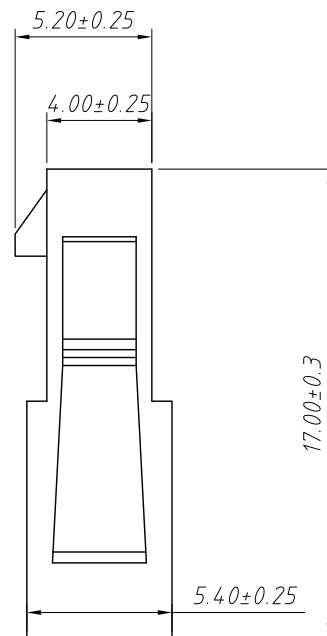
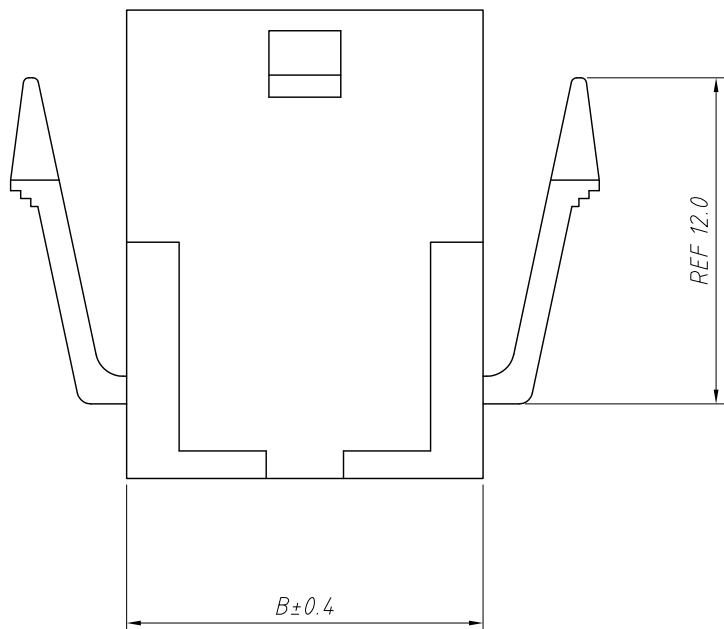
1 RoHS Compliance



Material:
Housing:PA66,UL 94V-2

Electrical Characteristics:
Rated Current:5.0AMP
Voltage rating:250V AC,DC
Temperature range:-25°C ~ + 85°C
Insulator Resistance:1000M Ω Min
Withstanding Voltage:1500V AC/minute
Contact Resistance:10m Ω Max

Pin	Dimensions(mm)	
	A	B
02	3.00	7.00
03	6.00	10.00
04	9.00	13.00
05	12.00	16.00
06	15.00	19.00
07	18.00	22.00
08	21.00	25.00
09	24.00	28.00
10	27.00	31.00
11	30.00	34.00
12	33.00	37.00



Order Information:

L-KLS1-XM1-3.00-1x02-FH

L: RoHS

Pitch:3.00mm

Pins:

1-Single layer

2-Double layer

XX-No.of 02~12 pins

Type:

MH / FH / FHN-Hosing

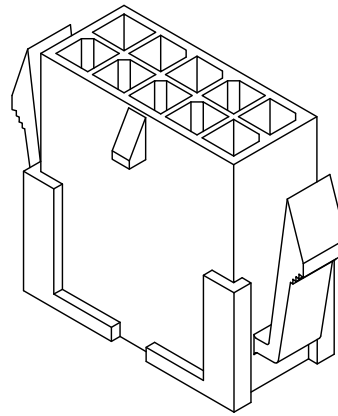
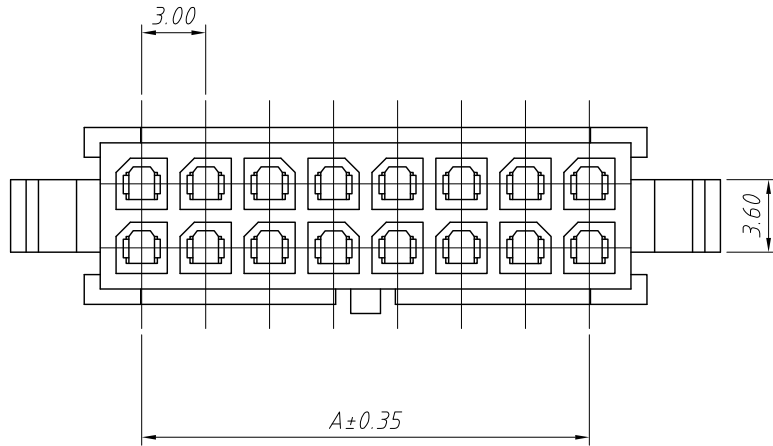
MT / FT-Terminal

ANGLE TOLERANCE	PROJECTION	Description:
$\pm 3^\circ$		3.0mm Pitch Micro Fit 3.0 43020 43025 43045 43030 43031 43645 43640 Wire To Board Connector
GENERAL TOLERANCE	UNITS	mm
x.x ± 0.30	SHEET SIZE	A4
x.xx ± 0.20	Draw:	Daniel 2021-01-11
x.xxx ± 0.10	Check:	Daniel 2021-01-11



NingBo KLS ELECTRONIC CO.,L TD.

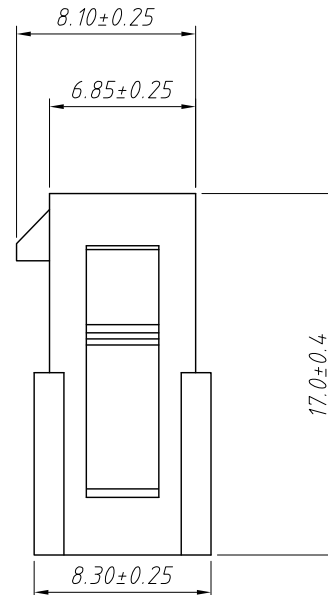
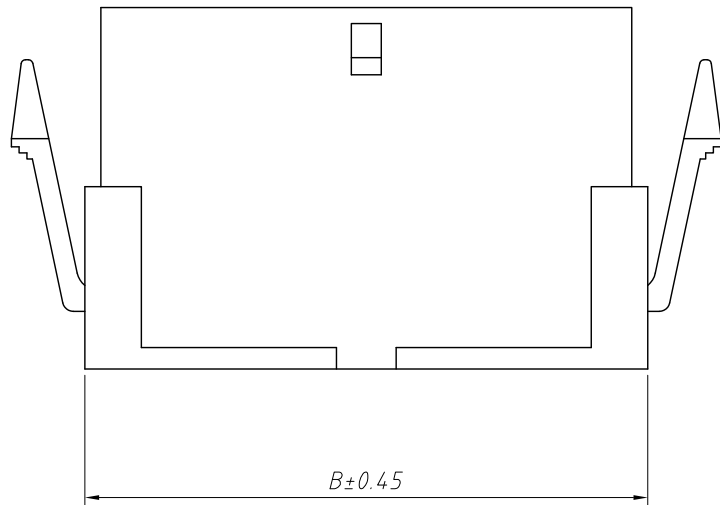
1 RoHS Compliance



Material:
Housing: PA66, UL 94 V-2

Electrical Characteristics:
Rated Current: 5.0AMP
Voltage rating: 250V AC, DC
Temperature range: -25°C ~ +85°C
Insulator Resistance: 1000MΩ Min
Withstanding Voltage: 1500V AC/minute
Contact Resistance: 10mΩ Max

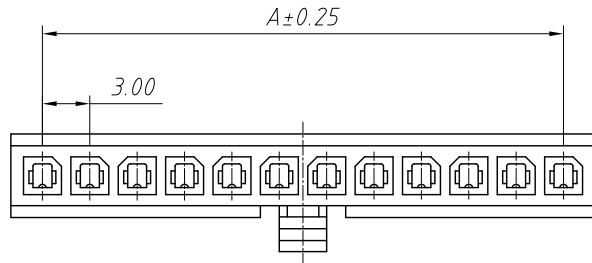
Pin	Dimensions (mm)	
	A	B
2×01	---	5.35
2×02	3.00	8.35
2×03	6.00	11.35
2×04	9.00	14.35
2×05	12.00	17.35
2×06	15.00	20.35
2×07	18.00	23.35
2×08	21.00	26.35
2×09	24.00	29.35
2×10	27.00	32.35
2×11	30.00	35.35
2×12	33.00	38.35



Order Information:
L-KLS1-XM1-3.00-2×01-FH
L: RoHS
Pitch: 3.00mm
Pins: _____
1-Single layer
2-Double layer
XX-No. of 01~12 pins
Type: _____
MH / FH / FHN-Hosing
MT / FT-Terminal

ANGLE TOLERANCE	PROJECTION	Description:	3.0mm Pitch Micro Fit 3.0 43020 43025
±3°		43045 43030 43031 43645 43640 Wire To Board Connector	
GENERAL TOLERANCE	UNITS	mm	KLS P/N: L-KLS1-XM1-3.00-2×01-FH
x.x ±0.30	SHEET SIZE	A4	NingBo KLS ELECTRONIC CO.,L TD.
x.xx ±0.20	Draw:	Daniel 2021-01-11	
x.xxx ±0.10	Check:	Daniel 2021-01-11	

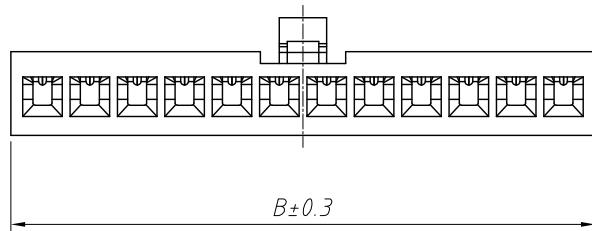
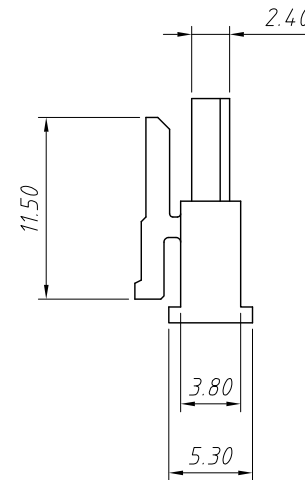
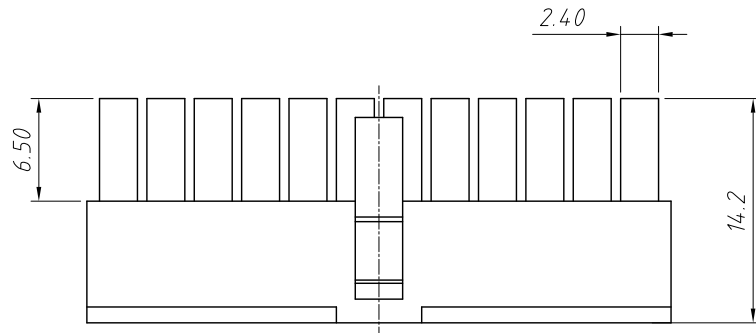
1
RoHS Compliance



Material:
Housing:PA66,UL 94 V-0/2

Electrical Characteristics:
Rated Current:5.0AMP
Voltage rating:250V AC,DC
Temperature range:-25°C ~ + 85°C
Insulator Resistance:1000MΩ Min
Withstanding Voltage:1500V AC/minute
Contact Resistance:10mΩ Max

Pin	Dimensions(mm)	
	A	B
02	3.00	7.00
03	6.00	10.00
04	9.00	13.00
05	12.00	16.00
06	15.00	19.00
07	18.00	22.00
08	21.00	25.00
09	24.00	28.00
10	27.00	31.00
11	30.00	34.00
12	33.00	37.00



Order Information:
L-KLS1-XM1-3.00-1×02-MH
L: RoHS
Pitch:3.00mm
Pins:
1-Single layer
2-Double layer
XX-No.of 02~12 pins
Type:
MH / FH / FHN-Hosing
MT / FT-Terminal

ANGLE TOLERANCE	PROJECTION	Description:	3.0mm Pitch Micro Fit 3.0 43020 43025
±3°		43045 43030 43031 43645 43640 Wire To Board Connector	
GENERAL TOLERANCE	UNITS	mm	KLS P/N: L-KLS1-XM1-3.00-1×02-MH
x.x ±0.30	SHEET SIZE	A4	NingBo KLS ELECTRONIC CO.,L TD.
x.xx ±0.20	Draw:	Daniel 2021-01-11	
x.xxx ±0.10	Check:	Daniel 2021-01-11	

1
RoHS Compliance

2

3

4

5

6

7

8

A

B

C

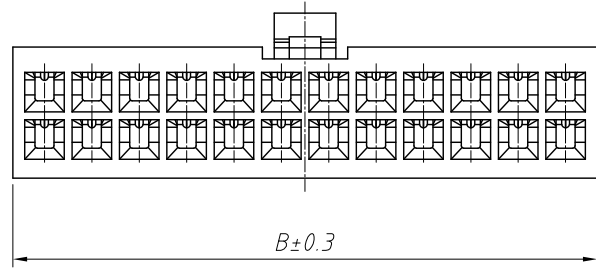
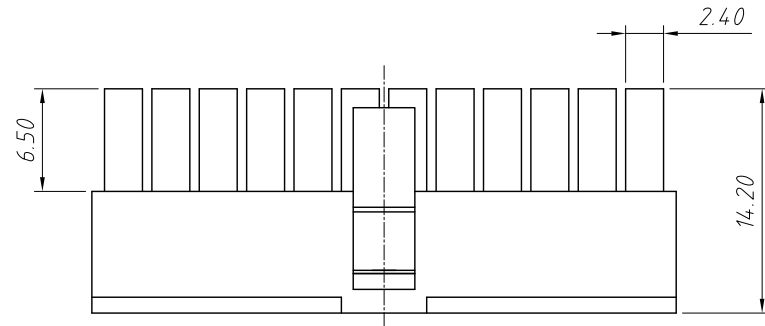
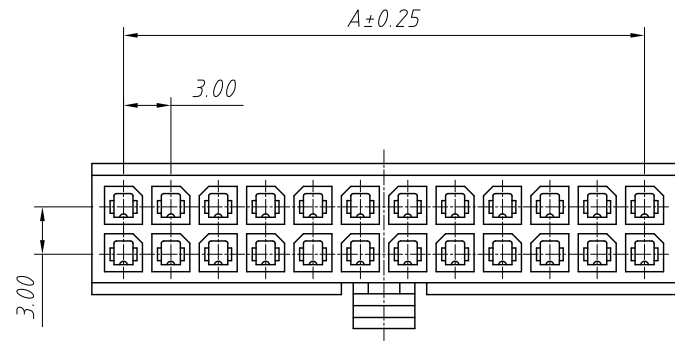
D

E

F

G

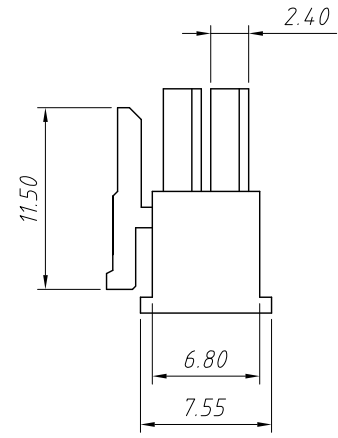
H



Material:
Housing:PA66,UL 94 V-0/2

Electrical Characteristics:
Rated Current:5.0AMP
Voltage rating:250V AC,DC
Temperature range:-25°C ~ + 85°C
Insulator Resistance:1000MΩ Min
Withstanding Voltage:1500V AC/minute
Contact Resistance:10mΩ Max

Pin	Dimensions(mm)	
	A	B
2×01	---	5.50
2×02	3.00	8.50
2×03	6.00	10.00
2×04	9.00	13.00
2×05	12.00	16.00
2×06	15.00	19.00
2×07	18.00	22.00
2×08	21.00	25.00
2×09	24.00	28.00
2×10	27.00	31.00
2×11	30.00	34.00
2×12	33.00	37.00



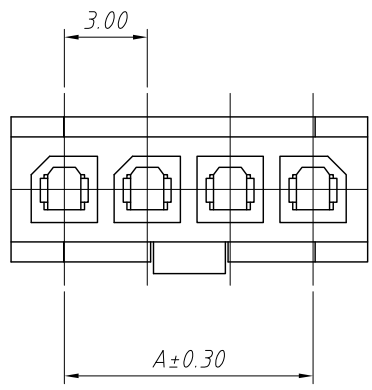
Order Information:
L-KLS1-XM1-3.00-2×01-MH

L: RoHS
Pitch:3.00mm
Pins: _____
1-Single layer
2-Double layer
XX-No.of 01~12 pins
Type: _____
MH / FH / FHN-Hosing
MT / FT-Terminal

ANGLE TOLERANCE	PROJECTION	Description:	3.0mm Pitch Micro Fit 3.0 43020 43025
±3°			43045 43030 43031 43645 43640 Wire To Board Connector
GENERAL TOLERANCE	UNITS	mm	KLS P/N: L-KLS1-XM1-3.00-2×01-MH
x.x ±0.30	SHEET SIZE	A4	NingBo KLS ELECTRONIC CO.,LTD.
x.xx ±0.20	Draw:	Daniel	
x.xxx ±0.10	Check:	Daniel	

1 2 3 4 5 6 7 8

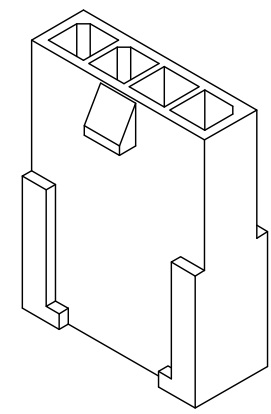
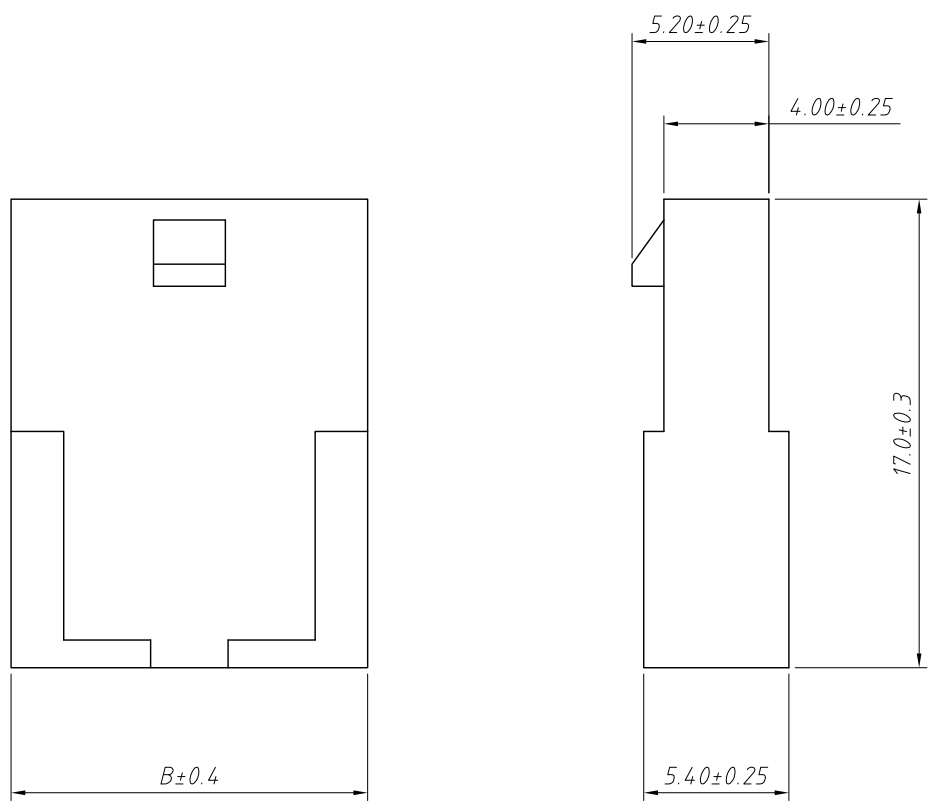
1
RoHS Compliance



Material:
Housing:PA66,UL94V-2

Electrical Characteristics:
Rated Current:5.0AMP
Voltage rating:250V AC,DC
Temperature range:-25°C ~ + 85°C
Insulator Resistance:1000M Ω Min
Withstanding Voltage:1500V AC/minute
Contact Resistance:10m Ω Max

Pin	Dimensions(mm)	
	A	B
02	3.00	7.00
03	6.00	10.00
04	9.00	13.00
05	12.00	16.00
06	15.00	19.00
07	18.00	22.00
08	21.00	25.00
09	24.00	28.00
10	27.00	31.00
11	30.00	34.00
12	33.00	37.00

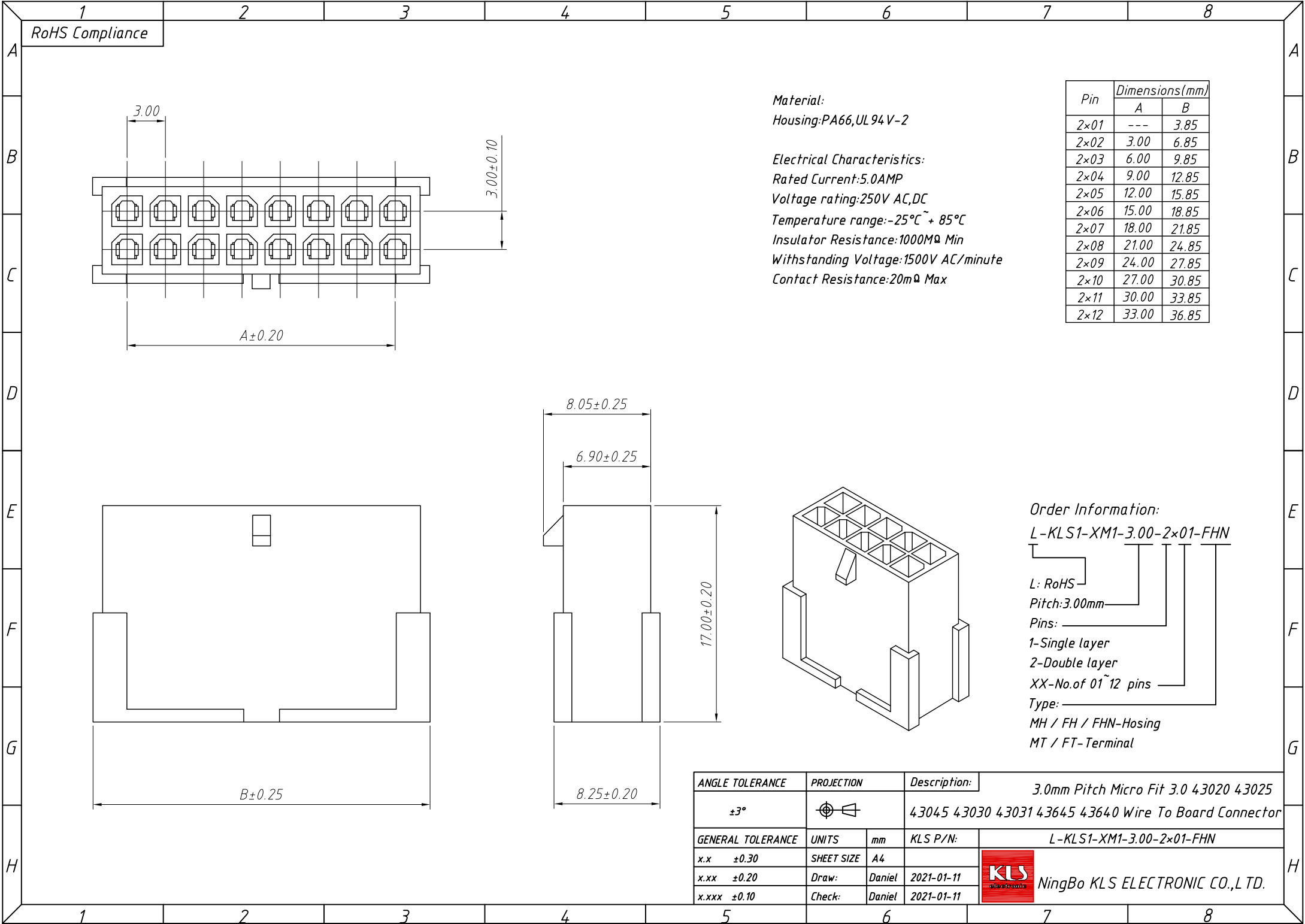


Order Information:
L-KLS1-XM1-3.00-1x02-FHN

L: RoHS
Pitch:3.00mm
Pins: _____
1-Single layer
2-Double layer
XX-No.of 02~12 pins
Type: _____
MH / FH / FHN-Hosing
MT / FT-Terminal

ANGLE TOLERANCE	PROJECTION	Description:	3.0mm Pitch Micro Fit 3.0 43020 43025
$\pm 3^\circ$			43045 43030 43031 43645 43640 Wire To Board Connector
GENERAL TOLERANCE	UNITS	mm	KLS P/N: L-KLS1-XM1-3.00-1x02-FHN
x.x ± 0.30	SHEET SIZE	A4	NingBo KLS ELECTRONIC CO.,L TD.
x.xx ± 0.20	Draw:	Daniel	
x.xxx ± 0.10	Check:	Daniel	

1
RoHS Compliance



Material:
Housing:PA66,UL94V-2

Electrical Characteristics:
Rated Current:5.0AMP
Voltage rating:250V AC,DC
Temperature range:-25°C ~ +85°C
Insulator Resistance:1000MΩ Min
Withstanding Voltage:1500V AC/minute
Contact Resistance:20mΩ Max

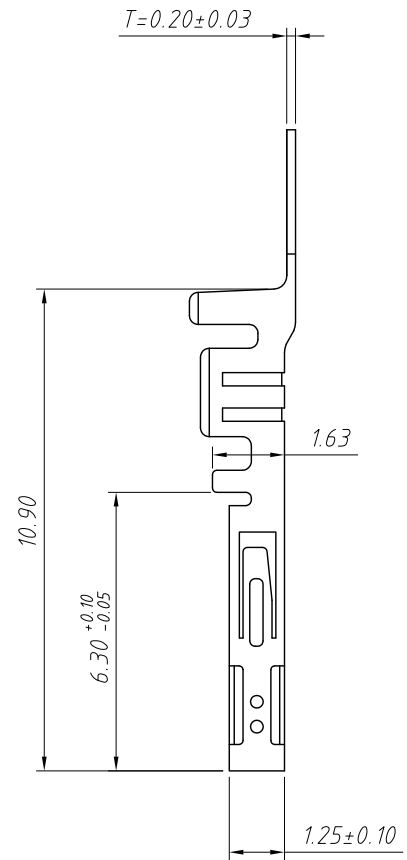
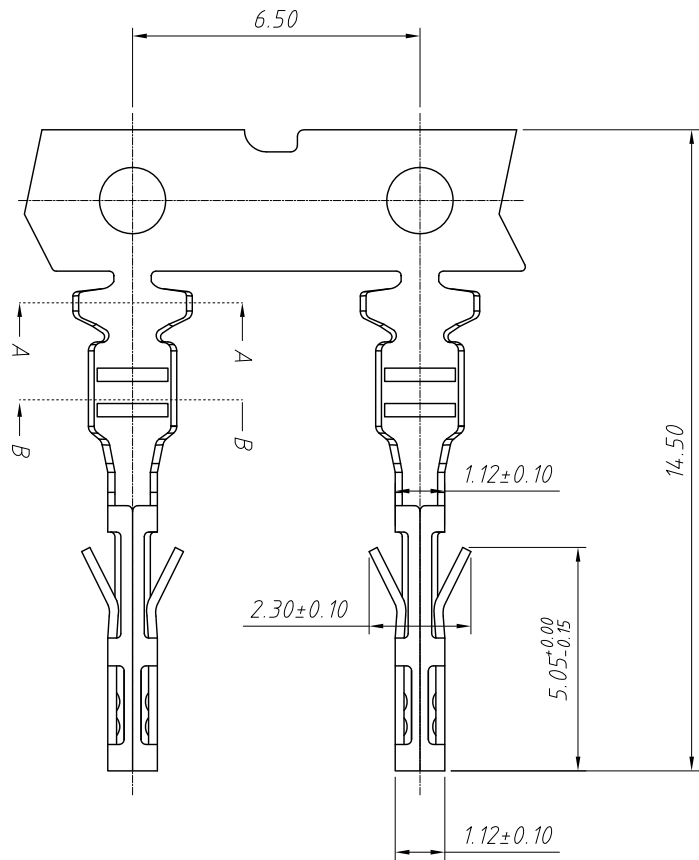
Pin	Dimensions(mm)	
	A	B
2×01	---	3.85
2×02	3.00	6.85
2×03	6.00	9.85
2×04	9.00	12.85
2×05	12.00	15.85
2×06	15.00	18.85
2×07	18.00	21.85
2×08	21.00	24.85
2×09	24.00	27.85
2×10	27.00	30.85
2×11	30.00	33.85
2×12	33.00	36.85

Order Information:
L-KLS1-XM1-3.00-2×01-FHN

L: RoHS
Pitch:3.00mm
Pins: _____
1-Single layer
2-Double layer
XX-No.of 01~12 pins
Type: _____
MH / FH / FHN-Hosing
MT / FT-Terminal

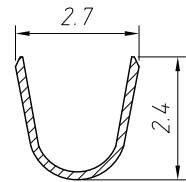
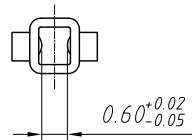
ANGLE TOLERANCE	PROJECTION	Description:	3.0mm Pitch Micro Fit 3.0 43020 43025
±3°		43045 43030 43031 43645 43640	Wire To Board Connector
GENERAL TOLERANCE	UNITS	mm	KLS P/N: L-KLS1-XM1-3.00-2×01-FHN
x.x ±0.30	SHEET SIZE	A4	NingBo KLS ELECTRONIC CO.,L TD.
x.xx ±0.20	Draw:	Daniel 2021-01-11	
x.xxx ±0.10	Check:	Daniel 2021-01-11	

1 RoHS Compliance

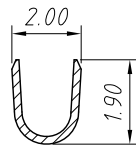


Material:
 Terminal: Phosphor Bronze
 Plating: Tin plated Over nickel
 Applicable wires: AWG #20 ~ #24
 Insulation O.D: 1.30 ~ 1.80mm
 Qty/reel: 10000PCS

Electrical Characteristics:
 Current rating: 5.0A AC,DC
 Voltage rating: 250V AC,DC
 Temperature range: -25°C ~ +85°C
 Insulation resistance: 1000MΩ/Min.
 Withstanding voltage: 1500V AC/minute
 Contact resistance: 10mΩ/Max.



SECTION A-A



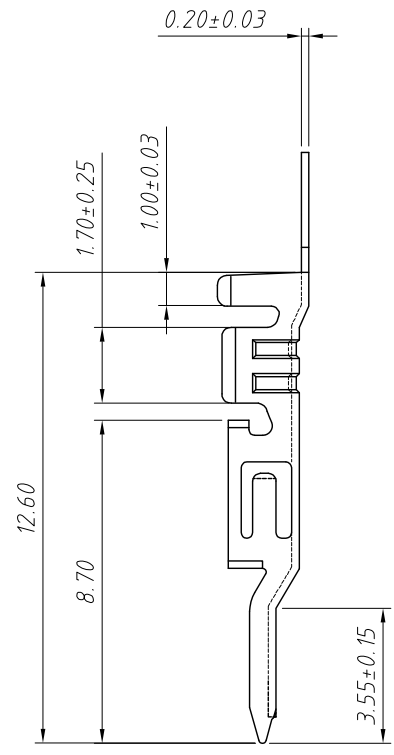
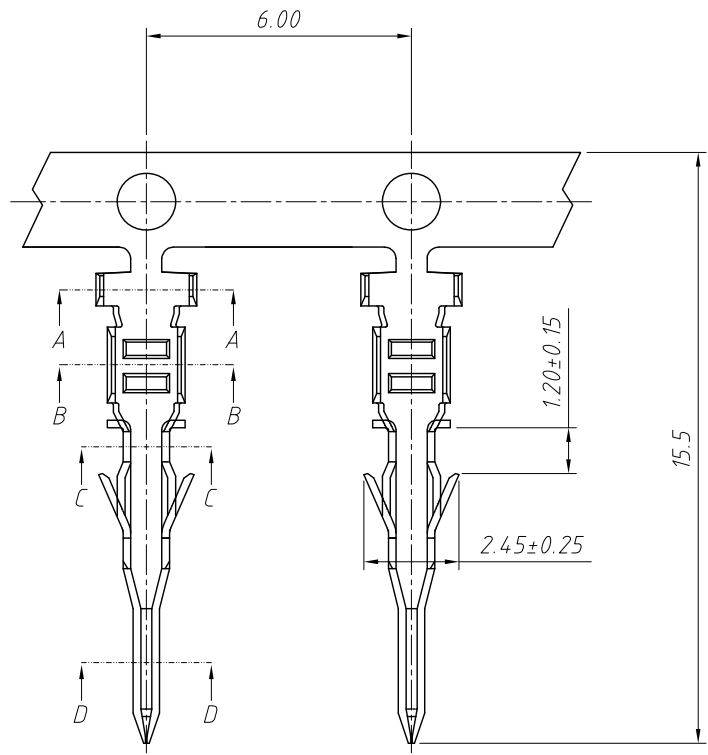
SECTION B-B

Order Information:
 L-KLS1-XM1-3.00-FT

L: RoHS
 Pitch: 3.00mm
 Type: _____
 MH / FH / FHN-Hosing
 MT / FT-Terminal

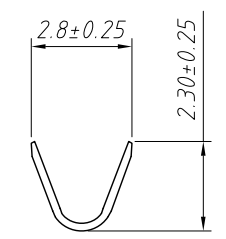
ANGLE TOLERANCE	PROJECTION	Description:	3.0mm Pitch Micro Fit 3.0 43020 43025
±3°		43045 43030 43031 43645 43640	Wire to Board Connector
GENERAL TOLERANCE	UNITS	mm	KLS P/N: L-KLS1-XM1-3.00-FT
x.x ±0.30	SHEET SIZE	A4	NingBo KLS ELECTRONIC CO.,L TD.
x.xx ±0.20	Draw:	Daniel 2020-11-11	
x.xxx ±0.10	Check:	Daniel 2020-11-11	

1
RoHS Compliance

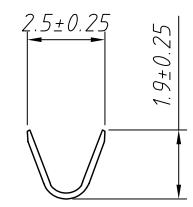


Material:
 Terminal: Phosphor Bronze
 Plating: Tin plated Over nickel
 Applicable wires: AWG #22 ~ #28
 Insulation O.D: 1.80mm Max.
 Qty/reel: 10000PCS

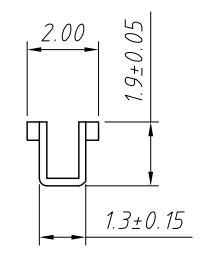
Electrical Characteristics:
 Current rating: 5.0A AC,DC
 Voltage rating: 250V AC,DC
 Temperature range: -25°C ~ +85°C
 Insulation resistance: 1000MΩ/Min.
 Withstanding voltage: 1500V AC/minute
 Contact resistance: 10mΩ/Max.



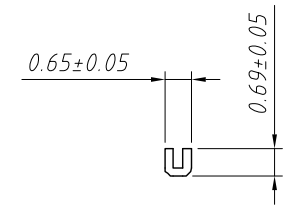
SECTION A-A



SECTION B-B



SECTION C-C



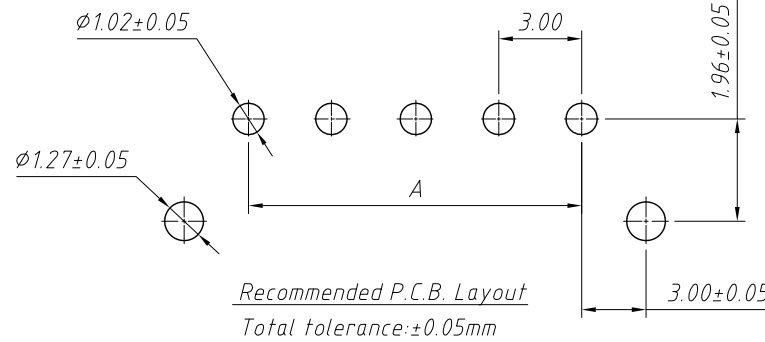
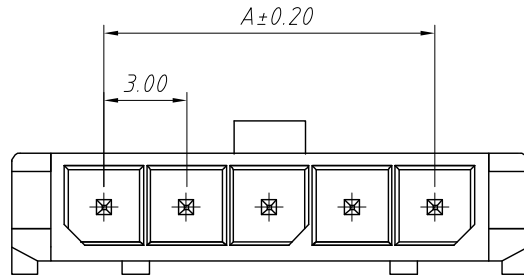
SECTION D-D

Order Information:
 L-KLS1-XM1-3.00-MT

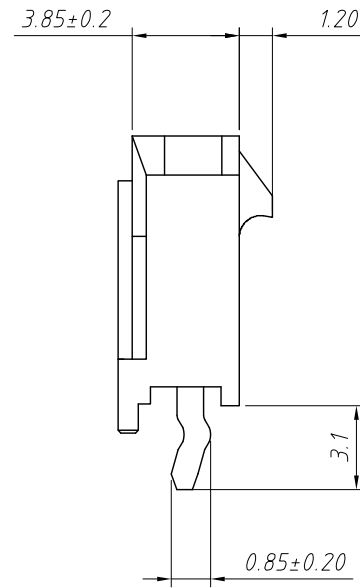
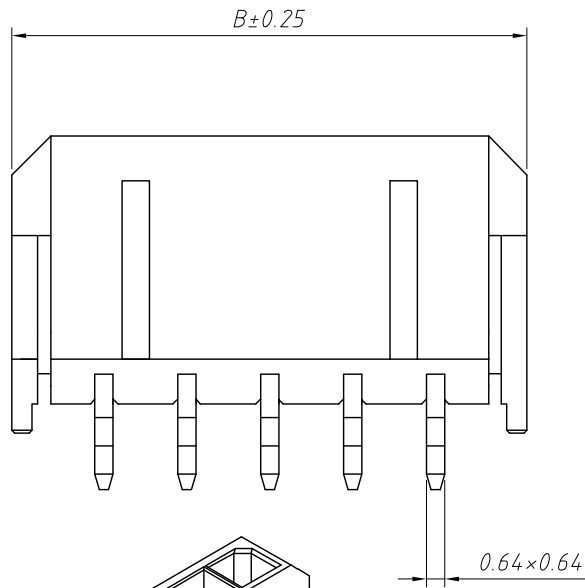
 L: RoHS
 Pitch: 3.00mm
 Type: MH / FH / FHN-Hosing
 MT / FT-Terminal

ANGLE TOLERANCE	PROJECTION	Description:	3.0mm Pitch Micro Fit 3.0 43020 43025
±3°		43045 43030 43031 43645 43640	Wire to Board Connector
GENERAL TOLERANCE	UNITS	mm	KLS P/N: L-KLS1-XM1-3.00-MT
x.x ±0.30	SHEET SIZE	A4	NingBo KLS ELECTRONIC CO.,L.TD.
x.xx ±0.20	Draw:	Daniel 2020-11-11	
x.xxx ±0.10	Check:	Daniel 2020-11-11	

RoHS Compliance



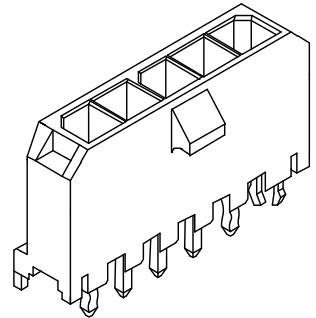
Pin	Dimensions(mm)	
	A	B
02	3.00	9.65
03	6.00	12.65
04	9.00	15.65
05	12.00	18.65
06	15.00	21.65
07	18.00	24.65
08	21.00	27.65
09	24.00	30.65
10	27.00	33.65
11	30.00	36.65
12	33.00	39.65



Material:
 Insulator: PA9T, UL94V-0
 Contact: Brass
 Plating: Tin plated or Gold plated

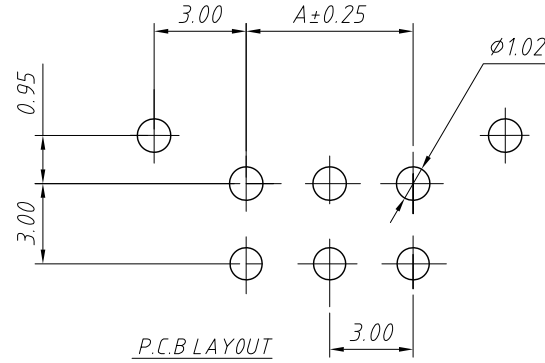
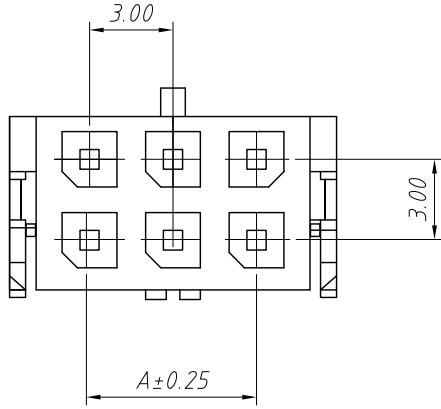
Electrical Characteristics:
 Rated Current: 5.0AMP
 Voltage rating: 250V AC,DC
 Temperature range: -25°C ~ +85°C
 Insulator Resistance: 1000MΩ Min
 Withstanding Voltage: 1500V AC/minute
 Contact Resistance: 10mΩ Max

Order Information:
 L-KLS1-XM1-3.00-1x02-S
 L: RoHS
 Pitch: 3.00mm
 Pins: _____
 1-Single layer
 2-Double layer
 XX-No. of 02~12 pins
 Type: _____
 S / SD-Straight male pin



ANGLE TOLERANCE	PROJECTION	Description:	3.0mm Pitch Micro Fit 3.0 43020 43025
±3°			43045 43030 43031 43645 43640 Wire To Board Connector
GENERAL TOLERANCE	UNITS	mm	KLS P/N: L-KLS1-XM1-3.00-1x02-S
x.x ±0.30	SHEET SIZE	A4	NingBo KLS ELECTRONIC CO.,L TD.
x.xx ±0.20	Draw:	Daniel	
x.xxx ±0.10	Check:	Daniel	

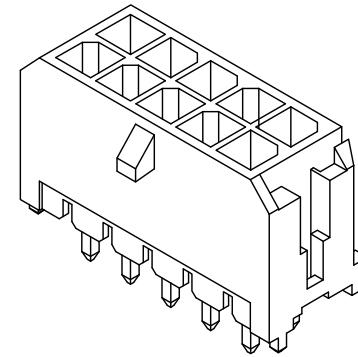
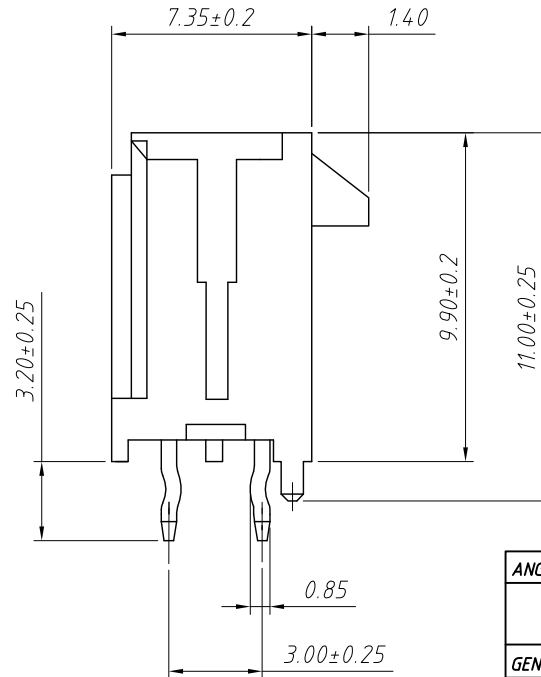
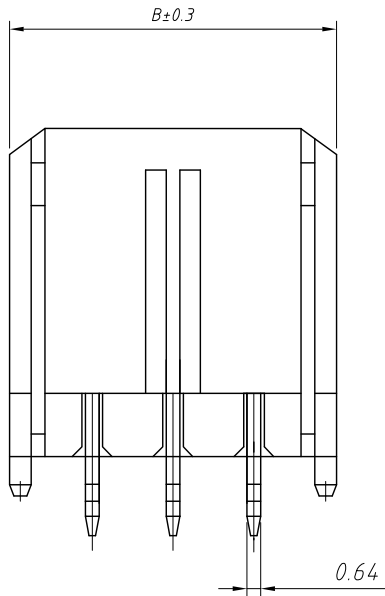
RoHS Compliance



Material:
 Insulator: PA46, UL94V-0
 Contact: Brass
 Plating: Tin plated

Electrical Characteristics:
 Rated Current: 5.0AMP
 Voltage rating: 250V AC, DC
 Temperature range: -25°C ~ +85°C
 Insulator Resistance: 1000MΩ Min
 Withstanding Voltage: 1500V AC/minute
 Contact Resistance: 10mΩ Max

Pin	Dimensions(mm)	
	A	B
01	---	6.65
02	3.00	9.65
03	6.00	12.65
04	9.00	15.65
05	12.00	18.65
06	15.00	21.65
07	18.00	24.65
08	21.00	27.65
09	24.00	30.65
10	27.00	33.65
11	30.00	36.65
12	33.00	39.65



Order Information:
 L-KLS1-XM1-3.00-2x02-S

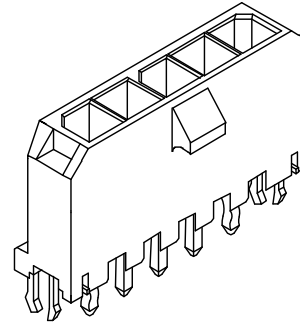
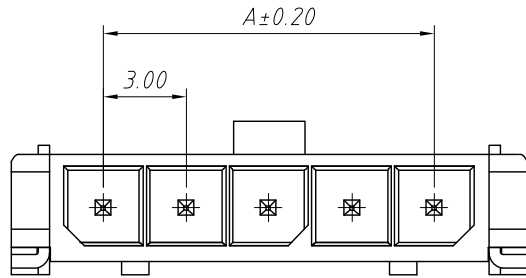
L: RoHS
 Pitch: 3.00mm
 Pins: _____
 1-Single layer
 2-Double layer
 XX-No. of 01~12 pins
 Type: _____
 S / SD-Straight male pin

ANGLE TOLERANCE	PROJECTION	Description:
±3°		3.0mm Pitch Micro Fit 3.0 43020 43025 43045 43030 43031 43645 43640 Wire To Board Connector
GENERAL TOLERANCE	UNITS	mm
x.x ±0.30	SHEET SIZE	A4
x.xx ±0.20	Draw:	Daniel 2021-01-11
x.xxx ±0.10	Check:	Daniel 2021-01-11

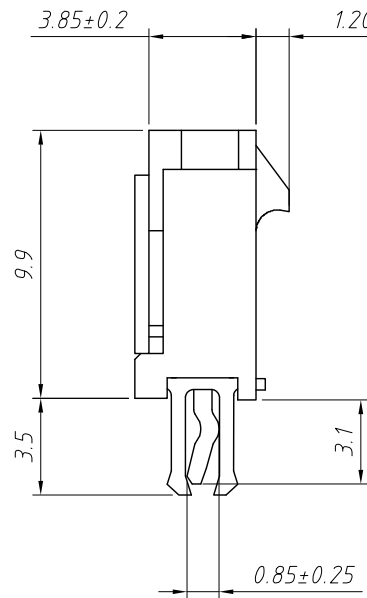
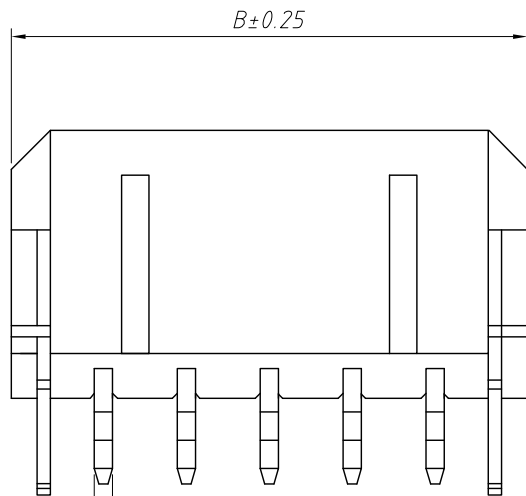


NingBo KLS ELECTRONIC CO.,LTD.

1 RoHS Compliance



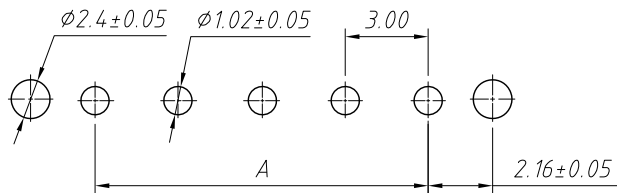
Pin	Dimensions(mm)	
	A	B
02	3.00	9.65
03	6.00	12.65
04	9.00	15.65
05	12.00	18.65
06	15.00	21.65
07	18.00	24.65
08	21.00	27.65
09	24.00	30.65
10	27.00	33.65
11	30.00	36.65
12	33.00	39.65



Material:
 Insulator:LCP , UL94V-0
 Contact:Brass
 Plating:Tin plated or Gold plated

Electrical Characteristics:
 Rated Current:5.0AMP
 Voltage rating:250V AC,DC
 Temperature range:-25°C ~ + 85°C
 Insulator Resistance:1000MΩ Min
 Withstanding Voltage:1500V AC/minute
 Contact Resistance:10mΩ Max

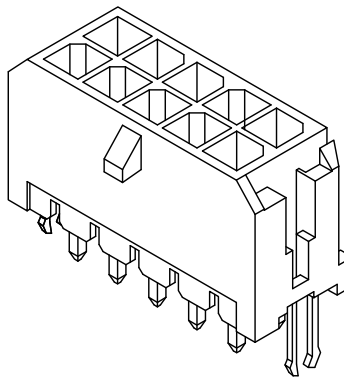
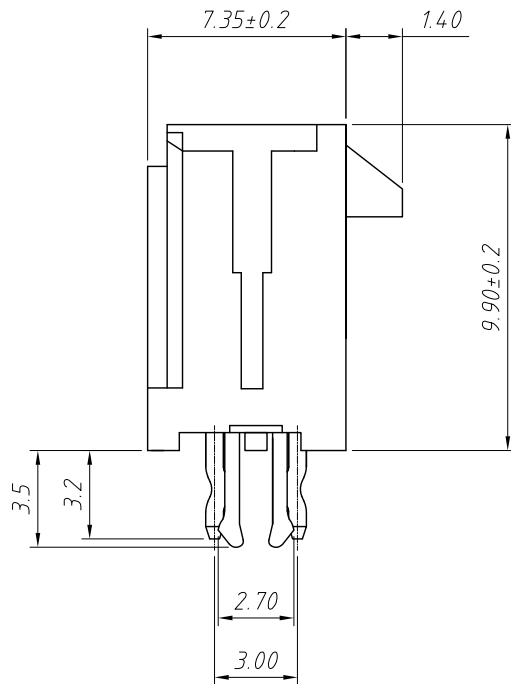
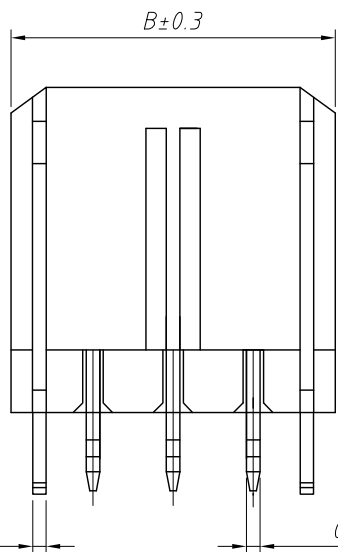
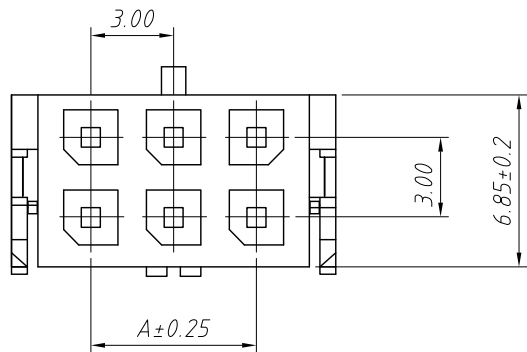
Order Information:
 L-KLS1-XM1-3.00-1x02-SD
 L: RoHS
 Pitch:3.00mm
 Pins:
 1-Single layer
 2-Double layer
 XX-No.of 02 ~ 12 pins
 Type:
 S / SD-Straight male pin



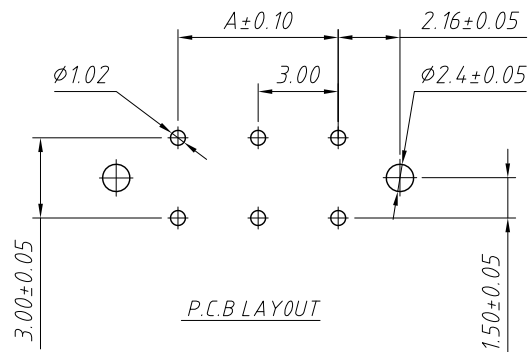
Recommended P.C.B. Layout
 Total tolerance:±0.05mm

ANGLE TOLERANCE	PROJECTION	Description:	3.0mm Pitch Micro Fit 3.0 43020 43025	
±3°			43045 43030 43031 43645 43640 Wire To Board Connector	
GENERAL TOLERANCE	UNITS	mm	KLS P/N: L-KLS1-XM1-3.00-1x02-SD	
x.x ±0.30	SHEET SIZE	A4	NingBo KLS ELECTRONIC CO.,L TD.	
x.xx ±0.20	Draw:	Daniel		2021-01-11
x.xxx ±0.10	Check:	Daniel		2021-01-11

RoHS Compliance



Pin	Dimensions(mm)	
	A	B
01	---	6.65
02	3.00	9.65
03	6.00	12.65
04	9.00	15.65
05	12.00	18.65
06	15.00	21.65
07	18.00	24.65
08	21.00	27.65
09	24.00	30.65
10	27.00	33.65
11	30.00	36.65
12	33.00	39.65



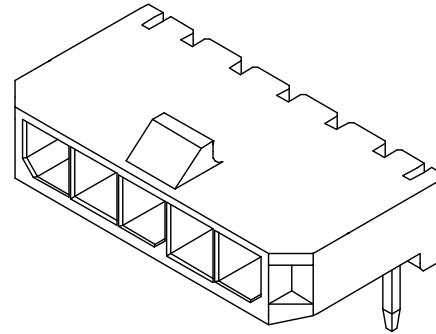
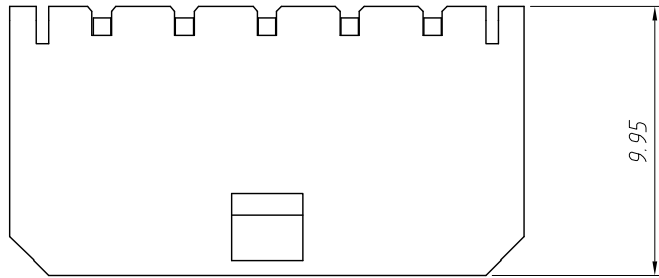
Material:
 Insulator: LCP, UL94 V-0
 Contact: Brass
 Plating: Tin plated over Ni

Electrical Characteristics:
 Rated Current: 5.0AMP
 Voltage rating: 250V AC,DC
 Temperature range: -25°C ~ +85°C
 Insulator Resistance: 1000MΩ Min
 Withstanding Voltage: 1500V AC/minute
 Contact Resistance: 10mΩ Max

Order Information:
 L-KLS1-XM1-3.00-2x02-SD
 L: RoHS
 Pitch: 3.00mm
 Pins: _____
 1-Single layer
 2-Double layer
 XX-No. of 01~12 pins
 Type: _____
 S / SD-Straight male pin

ANGLE TOLERANCE	PROJECTION	Description:	3.0mm Pitch Micro Fit 3.0 43020 43025
±3°			43045 43030 43031 43645 43640 Wire To Board Connector
GENERAL TOLERANCE	UNITS	mm	KLS P/N: L-KLS1-XM1-3.00-2x02-SD
x.x ±0.30	SHEET SIZE	A4	NingBo KLS ELECTRONIC CO.,L TD.
x.xx ±0.20	Draw:	Daniel 2021-01-11	
x.xxx ±0.10	Check:	Daniel 2021-01-11	

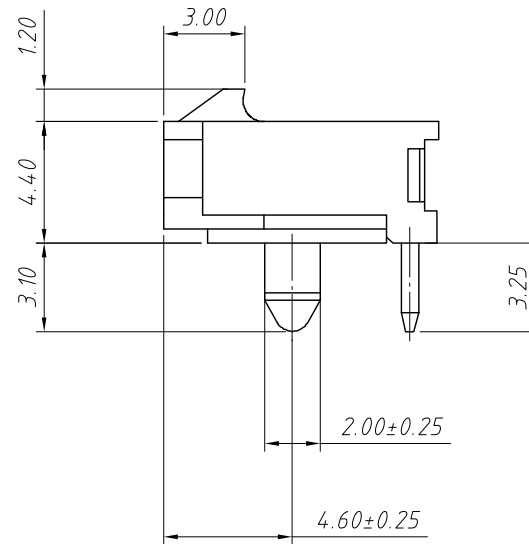
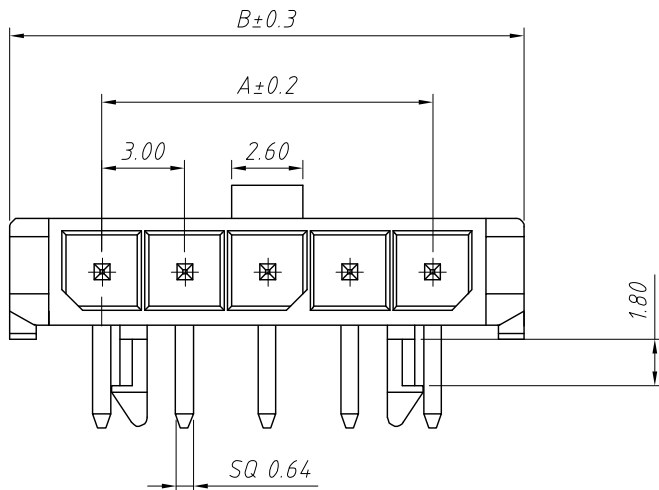
RoHS Compliance



Material:
 Insulator: PA9T, UL94V-0
 Contact: Brass
 Plating: Tin plated or Gold plated

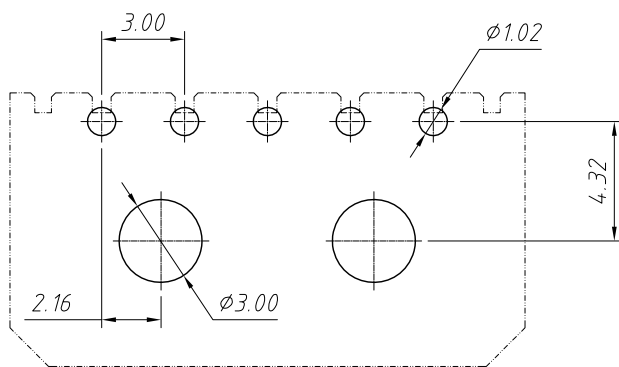
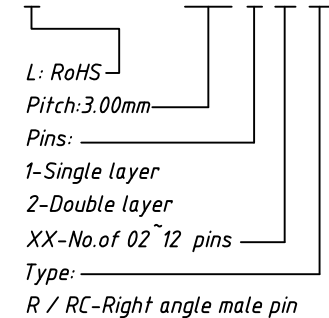
Electrical Characteristics:
 Rated Current: 5.0AMP
 Voltage rating: 250V AC, DC
 Temperature range: -25°C ~ +85°C
 Insulator Resistance: 1000MΩ Min
 Withstanding Voltage: 1500V AC/minute
 Contact Resistance: 10mΩ Max

Pin	Dimensions(mm)	
	A	B
02	3.00	9.65
03	6.00	12.65
04	9.00	15.65
05	12.00	18.65
06	15.00	21.65
07	18.00	24.65
08	21.00	27.65
09	24.00	30.65
10	27.00	33.65
11	30.00	36.65
12	33.00	39.65



Order Information:

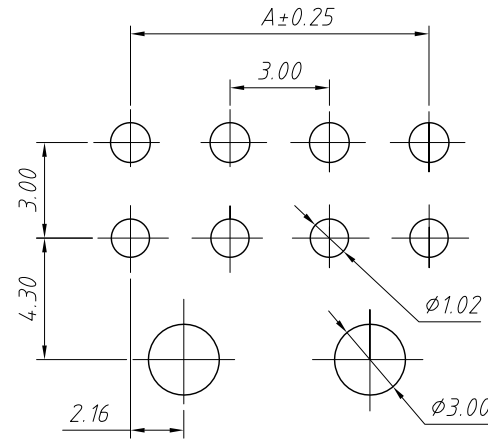
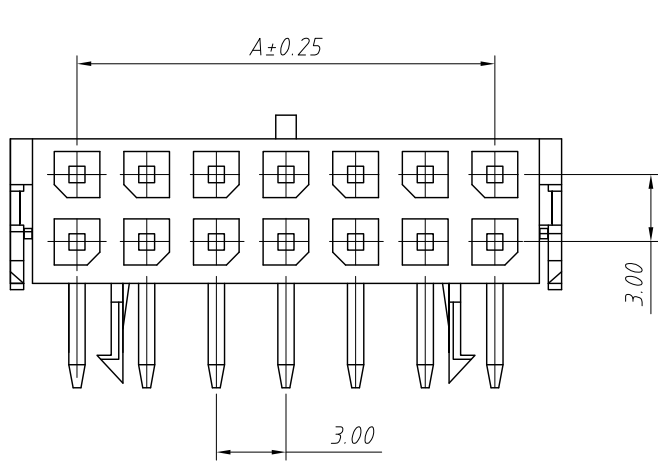
L-KLS1-XM1-3.00-1x02-R



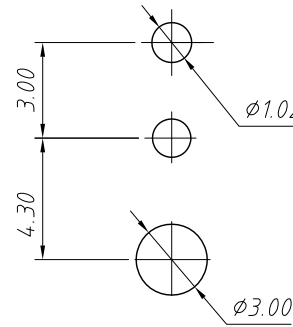
Recommended P.C.B. Layout
 Total tolerance: ±0.05mm

ANGLE TOLERANCE	PROJECTION	Description:	3.0mm Pitch Micro Fit 3.0 43020 43025
±3°		43045 43030 43031 43645 43640 Wire To Board Connector	
GENERAL TOLERANCE	UNITS	mm	KLS P/N: L-KLS1-XM1-3.00-1x02-R
x.x ±0.30	SHEET SIZE	A4	NingBo KLS ELECTRONIC CO.,L TD.
x.xx ±0.20	Draw:	Daniel 2021-01-11	
x.xxx ±0.10	Check:	Daniel 2021-01-11	

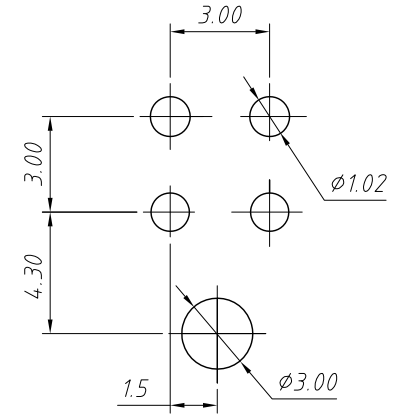
1 RoHS Compliance



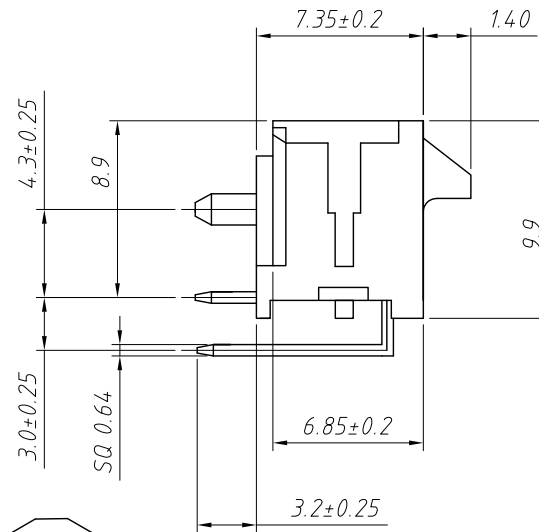
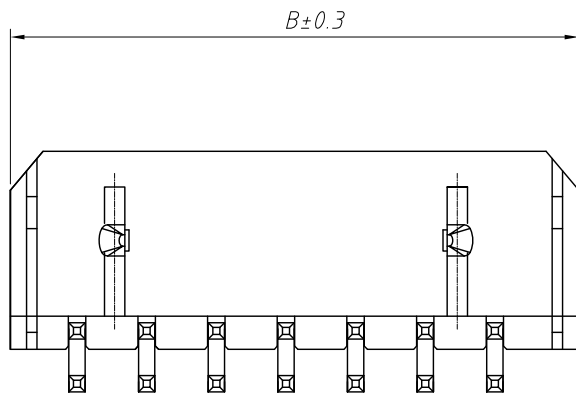
2x4P~2x12P P.C.B LAYOUT



2x1P P.C.B LAYOUT



2x2P~2x3P P.C.B LAYOUT



Pin	Dimensions(mm)	
	A	B
01	---	6.65
02	3.00	9.65
03	6.00	12.65
04	9.00	15.65
05	12.00	18.65
06	15.00	21.65
07	18.00	24.65
08	21.00	27.65
09	24.00	30.65
10	27.00	33.65
11	30.00	36.65
12	33.00	39.65

Order Information:

L-KLS1-XM1-3.00-2x02-R

L: RoHS

Pitch:3.00mm

Pins:

1-Single layer

2-Double layer

XX-No.of 01~12 pins

Type:

R / RC-Right angle male pin

Material:

Insulator:PA46 , UL94 V-0

Contact:Brass

Plating:Tin plated

Electrical Characteristics:

Rated Current:5.0AMP

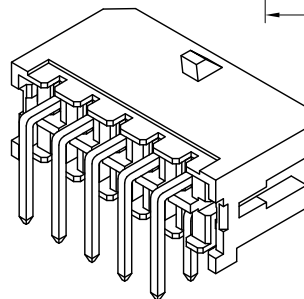
Voltage rating:250V AC,DC

Temperature range:-25°C ~ + 85°C

Insulator Resistance:1000MΩ Min

Withstanding Voltage:1500V AC/minute

Contact Resistance:10mΩ Max

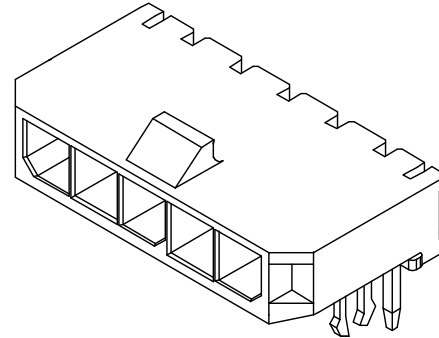
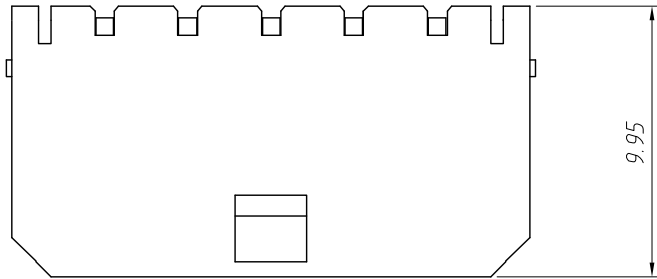


ANGLE TOLERANCE	PROJECTION	Description:
±3°		3.0mm Pitch Micro Fit 3.0 43020 43025 43045 43030 43031 43645 43640 Wire To Board Connector
GENERAL TOLERANCE	UNITS	mm
x.x ±0.30	SHEET SIZE	A4
x.xx ±0.20	Draw:	Daniel 2021-01-11
x.xxx ±0.10	Check:	Daniel 2021-01-11



NingBo KLS ELECTRONIC CO.,L TD.

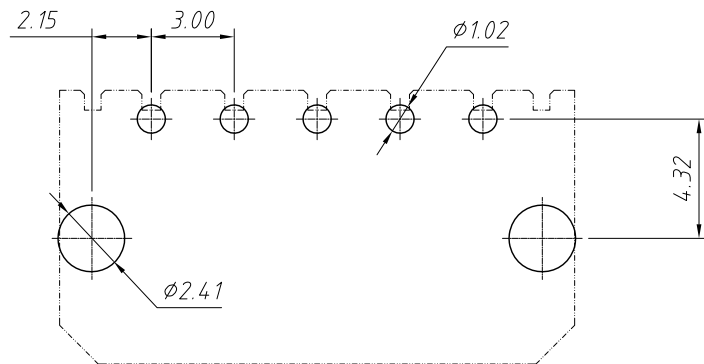
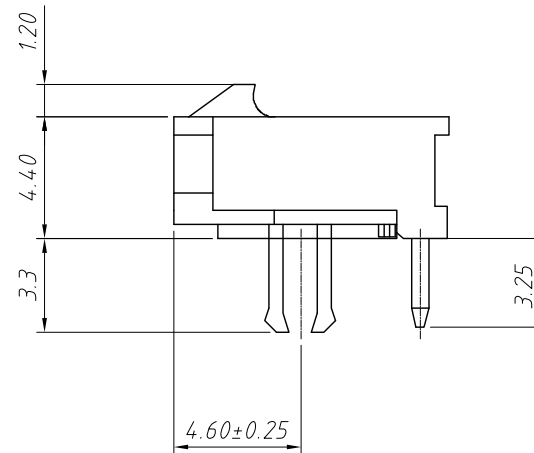
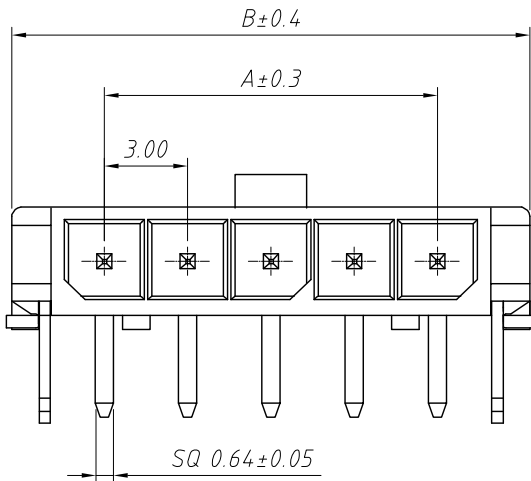
1 RoHS Compliance



Material:
 Insulator:LCP , UL94 V-0
 Contact:Brass
 Plating:Tin plated or Gold plated

Electrical Characteristics:
 Rated Current:5.0AMP
 Voltage rating:250V AC,DC
 Temperature range:-25°C ~ + 85°C
 Insulator Resistance:1000M Ω Min
 Withstanding Voltage:1500V AC/minute
 Contact Resistance:10m Ω Max

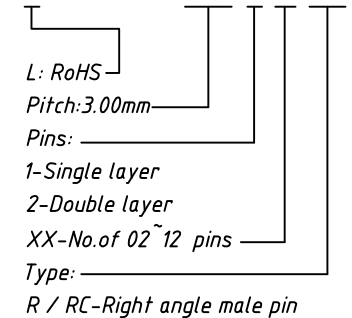
Pin	Dimensions(mm)	
	A	B
02	3.00	9.65
03	6.00	12.65
04	9.00	15.65
05	12.00	18.65
06	15.00	21.65
07	18.00	24.65
08	21.00	27.65
09	24.00	30.65
10	27.00	33.65
11	30.00	36.65
12	33.00	39.65



Recommended P.C.B. Layout
 Total tolerance:±0.05mm

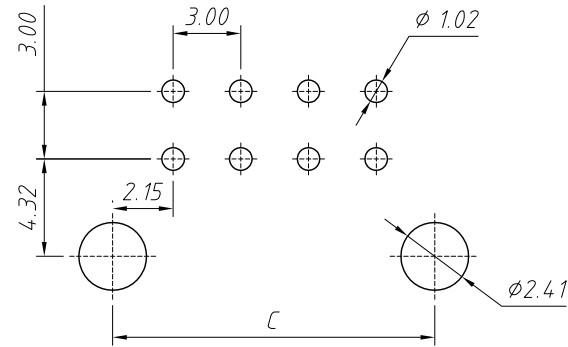
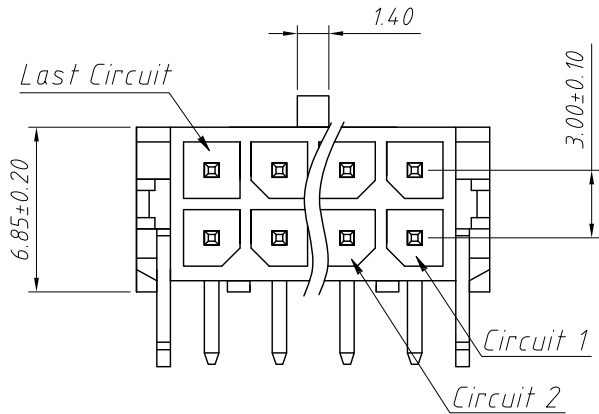
Order Information:

L-KLS1-XM1-3.00-1x02-RC



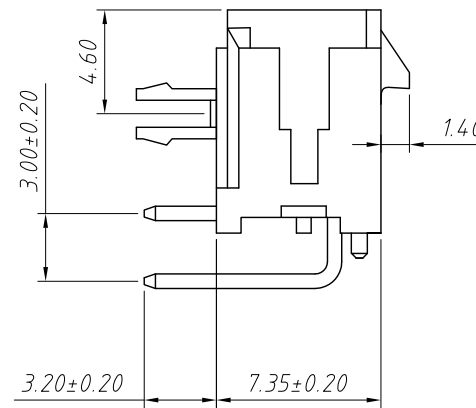
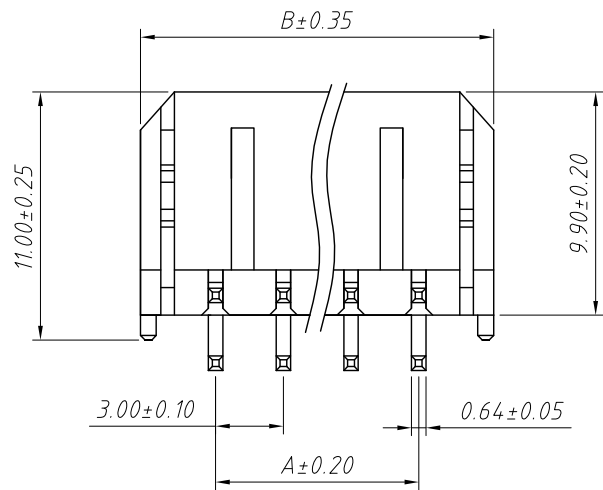
ANGLE TOLERANCE	PROJECTION	Description:	3.0mm Pitch Micro Fit 3.0 43020 43025
±3°		43045 43030 43031 43645 43640 Wire To Board Connector	
GENERAL TOLERANCE	UNITS	mm	KLS P/N: L-KLS1-XM1-3.00-1x02-RC
x.x ±0.30	SHEET SIZE	A4	NingBo KLS ELECTRONIC CO.,L TD.
x.xx ±0.20	Draw:	Daniel 2021-01-11	
x.xxx ±0.10	Check:	Daniel 2021-01-11	

RoHS Compliance



Recommended P.C.B. Layout
Total tolerance: ±0.05mm

Pin	Dimensions(mm)		
	A	B	C
01	---	6.65	4.30
02	3.00	9.65	7.30
03	6.00	12.65	10.30
04	9.00	15.65	13.30
05	12.00	18.65	16.30
06	15.00	21.65	19.30
07	18.00	24.65	22.30
08	21.00	27.65	25.30
09	24.00	30.65	28.30
10	27.00	33.65	31.30
11	30.00	36.65	34.30
12	33.00	39.65	37.30

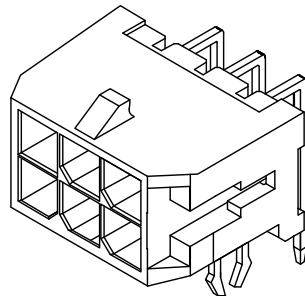


Material:

Insulator: PA46, UL94V-0
Contact: Brass, Tin plated

Electrical Characteristics:

Rated Current: 5.0AMP
Voltage rating: 250V AC, DC
Temperature range: -25°C ~ +85°C
Insulator Resistance: 1000MΩ Min
Withstanding Voltage: 1500V AC/minute
Contact Resistance: 10mΩ Max



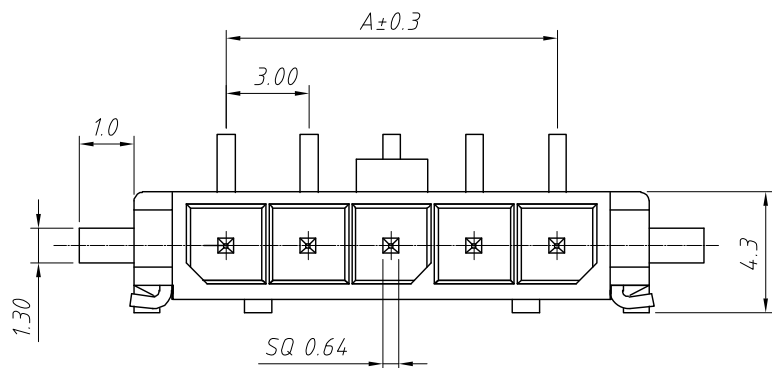
Order Information:

L-KLS1-XM1-3.00-2x02-RC

L: RoHS
Pitch: 3.00mm
Pins:
1-Single layer
2-Double layer
XX-No. of 01~12 pins
Type:
R / RC-Right angle male pin

ANGLE TOLERANCE	PROJECTION	Description:	3.0mm Pitch Micro Fit 3.0 43020 43025	
±3°			43045 43030 43031 43645 43640 Wire To Board Connector	
GENERAL TOLERANCE	UNITS	mm	KLS P/N: L-KLS1-XM1-3.00-2x02-RC	
x.x ±0.30	SHEET SIZE	A4	NingBo KLS ELECTRONIC CO.,L TD.	
x.xx ±0.20	Draw:	Daniel		2021-01-11
x.xxx ±0.10	Check:	Daniel		2021-01-11

1 RoHS Compliance



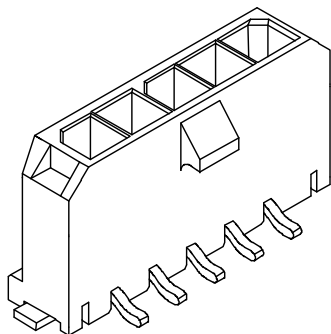
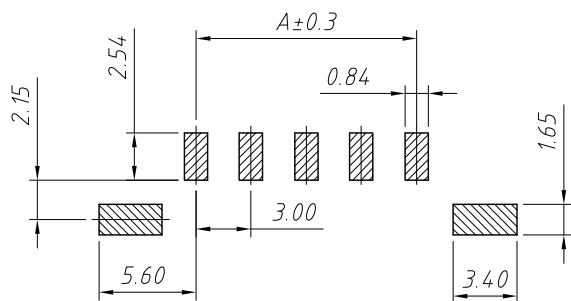
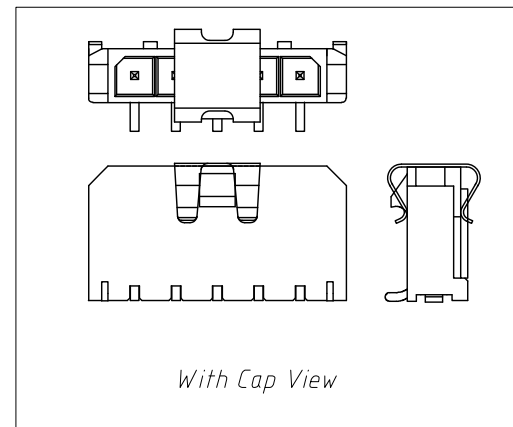
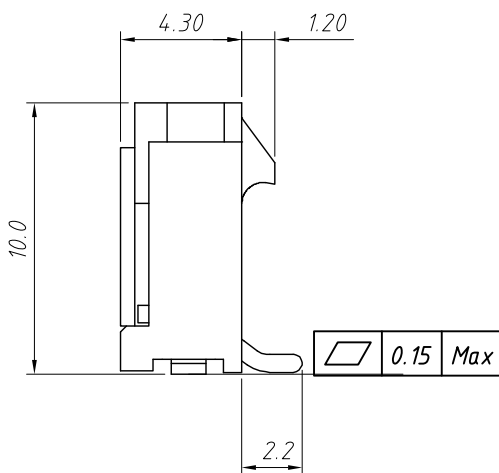
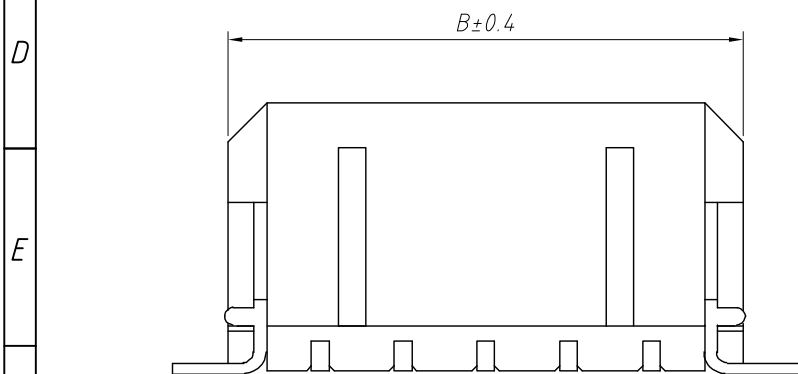
Order Information:
L-KLS1-XM1-3.00-1x02-VT

L: RoHS
Pitch: 3.00mm
Pins: _____
1-Single layer
2-Double layer
XX-No. of 02~12 pins
Type: _____
VT / VMT-Vertical SMT Pin
RT / RMT-Horizontal SMT Pin

Material:
Insulator: LCP, UL94V-0
Contact: Brass
Plating: Tin plated

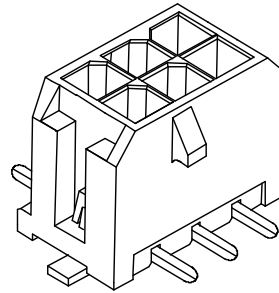
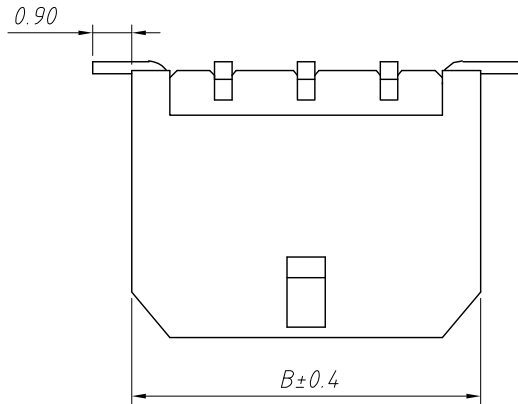
Electrical Characteristics:
Rated Current: 5.0AMP
Voltage rating: 250V AC, DC
Temperature range: -25°C ~ +85°C
Insulator Resistance: 1000MΩ Min
Withstanding Voltage: 1500V AC/minute
Contact Resistance: 10mΩ Max

Pin	Dimensions(mm)	
	A	B
02	3.00	9.70
03	6.00	12.70
04	9.00	15.70
05	12.00	18.70
06	15.00	21.70
07	18.00	24.70
08	21.00	27.70
09	24.00	30.70
10	27.00	33.70
11	30.00	36.70
12	33.00	39.70



ANGLE TOLERANCE	PROJECTION	Description:	3.0mm Pitch Micro Fit 3.0 43020 43025	
±3°			43045 43030 43031 43645 43640 Wire To Board Connector	
GENERAL TOLERANCE	UNITS	mm	KLS P/N: L-KLS1-XM1-3.00-1x02-VT	
x.x ±0.30	SHEET SIZE	A4	NingBo KLS ELECTRONIC CO.,L TD.	
x.xx ±0.20	Draw:	Daniel		2021-01-11
x.xxx ±0.10	Check:	Daniel		2021-01-11

1 RoHS Compliance



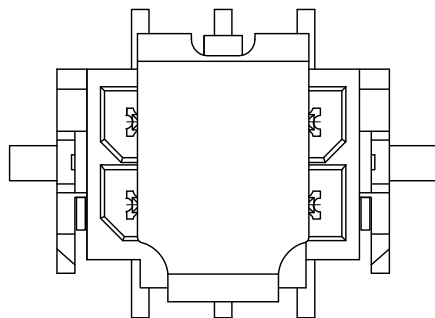
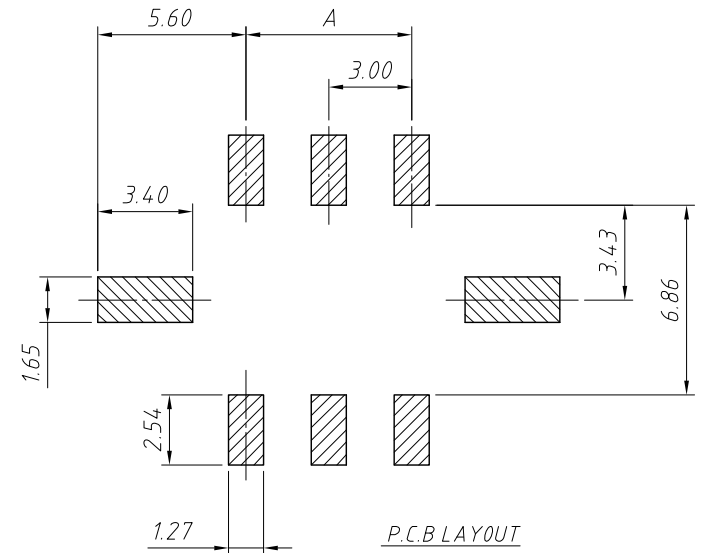
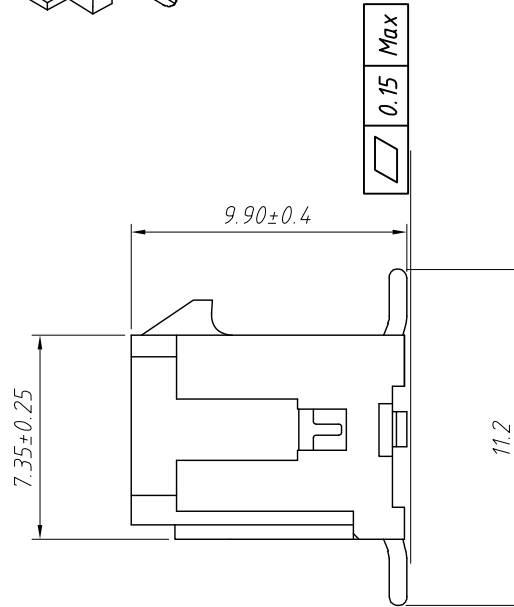
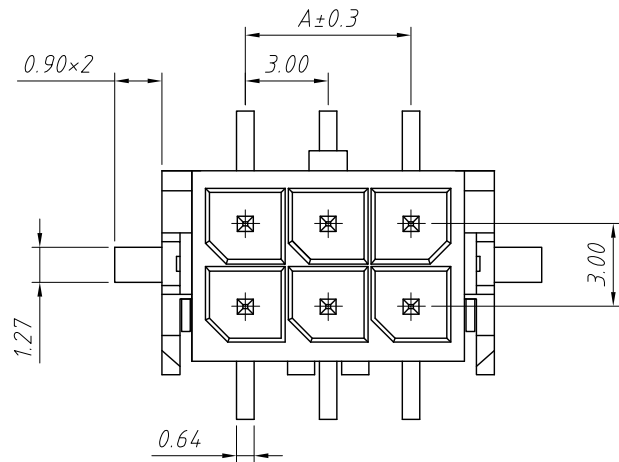
Material:
 Insulator:LCP, UL94V-0
 Contact:Brass
 Plating:Tin plated

Pin	Dimensions(mm)	
	A	B
01	---	6.65
02	3.00	9.65
03	6.00	12.65
04	9.00	15.65
05	12.00	18.65
06	15.00	21.65
07	18.00	24.65
08	21.00	27.65
09	24.00	30.65
10	27.00	33.65
11	30.00	36.65
12	33.00	39.65

Electrical Characteristics:
 Rated Current:5.0AMP
 Voltage rating:250V AC,DC
 Temperature range:-25°C ~ + 85°C
 Insulator Resistance:1000MΩ Min
 Withstanding Voltage:1500V AC/minute
 Contact Resistance:10mΩ Max

A
B
C
D
E
F
G
H

A
B
C
D
E
F
G
H



Order Information:

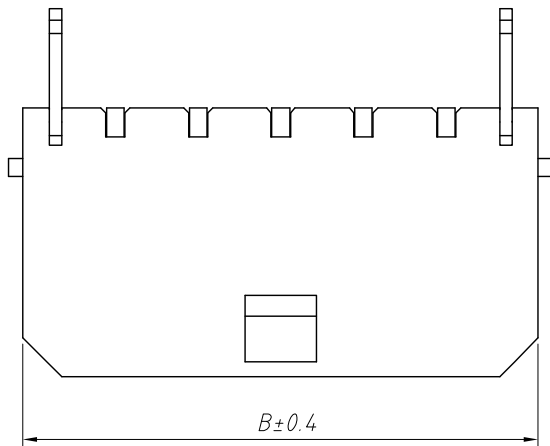
L-KLS1-XM1-3.00-2x02-VT

L: RoHS
 Pitch:3.00mm
 Pins:
 1-Single layer
 2-Double layer
 XX-No. of 01~12 pins
 Type:
 VT / VMT-Vertical SMT Pin
 RT / RMT-Horizontal SMT Pin

ANGLE TOLERANCE	PROJECTION	Description:	3.0mm Pitch Micro Fit 3.0 43020 43025	
±3°		43045 43030 43031 43645 43640 Wire To Board Connector		
GENERAL TOLERANCE	UNITS	mm	KLS P/N: L-KLS1-XM1-3.00-2x02-VT	
x.x ±0.30	SHEET SIZE	A4	NingBo KLS ELECTRONIC CO.,L TD.	
x.xx ±0.20	Draw:	Daniel		2021-01-11
x.xxx ±0.10	Check:	Daniel		2021-01-11

1 2 3 4 5 6 7 8

1 RoHS Compliance



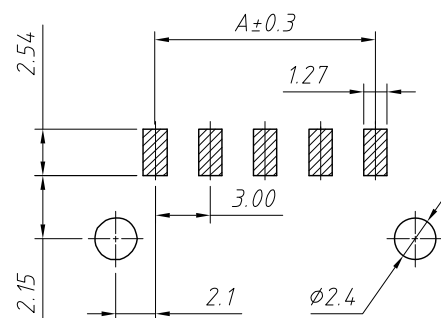
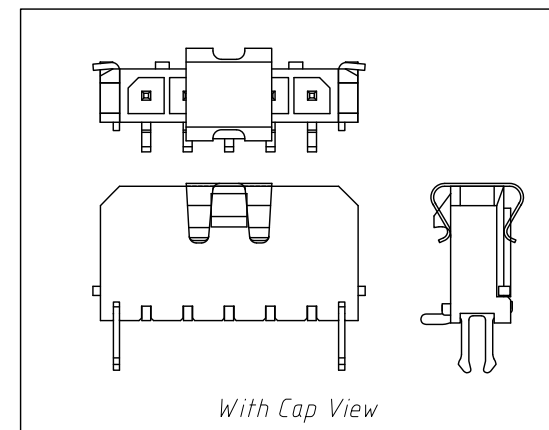
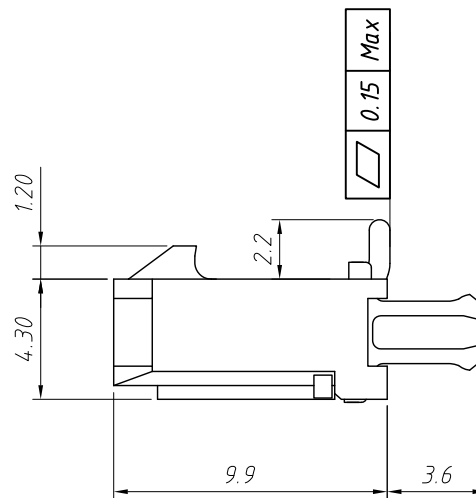
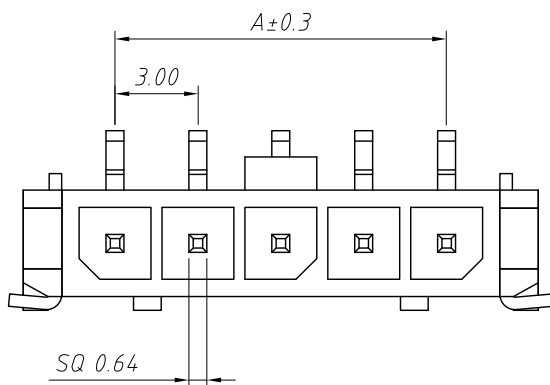
Material:
 Insulator:LCP , UL94V-0
 Contact:Brass
 Plating: Tin plated

Electrical Characteristics:
 Rated Current:5.0AMP
 Voltage rating:250V AC,DC
 Temperature range:-25°C ~ + 85°C
 Insulator Resistance:1000MΩ Min
 Withstanding Voltage:1500V AC/minute
 Contact Resistance:10mΩ Max

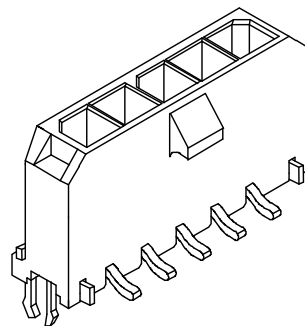
Order Information:
 L-KLS1-XM1-3.00-1x02-VMT

L: RoHS
 Pitch:3.00mm
 Pins: _____
 1-Single layer
 2-Double layer
 XX-No. of 02 ~ 12 pins
 Type: _____
 VT / VMT-Vertical SMT Pin
 RT / RMT-Horizontal SMT Pin

Pin	Dimensions(mm)	
	A	B
02	3.00	9.70
03	6.00	12.70
04	9.00	15.70
05	12.00	18.70
06	15.00	21.70
07	18.00	24.70
08	21.00	27.70
09	24.00	30.70
10	27.00	33.70
11	30.00	36.70
12	33.00	39.70

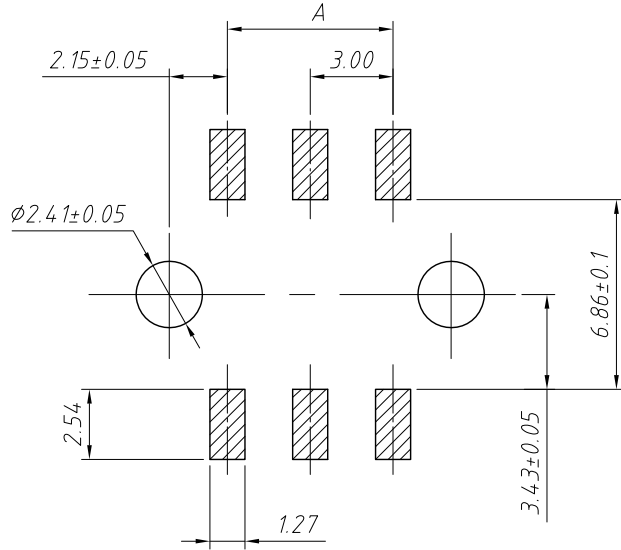
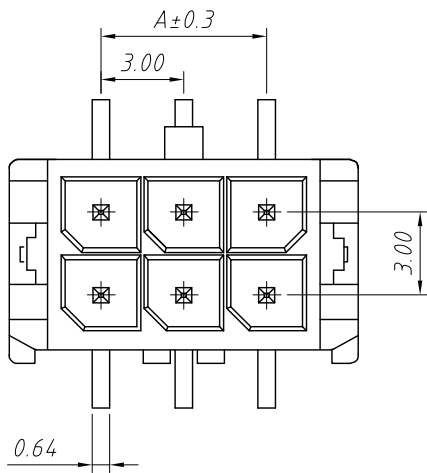
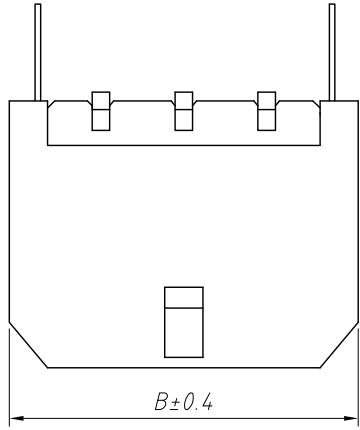
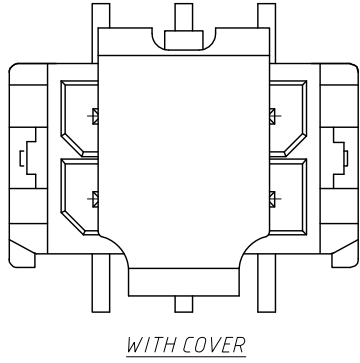


PCB LAYOUT



ANGLE TOLERANCE	PROJECTION	Description:	3.0mm Pitch Micro Fit 3.0 43020 43025	
±3°			43045 43030 43031 43645 43640 Wire To Board Connector	
GENERAL TOLERANCE	UNITS	mm	KLS P/N: L-KLS1-XM1-3.00-1x02-VMT	
x.x ±0.30	SHEET SIZE	A4	NingBo KLS ELECTRONIC CO.,L TD.	
x.xx ±0.20	Draw:	Daniel		2021-01-11
x.xxx ±0.10	Check:	Daniel		2021-01-11

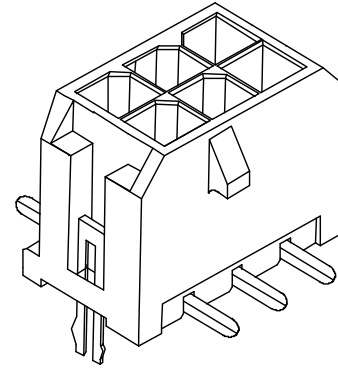
1 RoHS Compliance



Material:
Insulator: LCP, UL94V-0
Contact: Brass
Plating: Tin plated

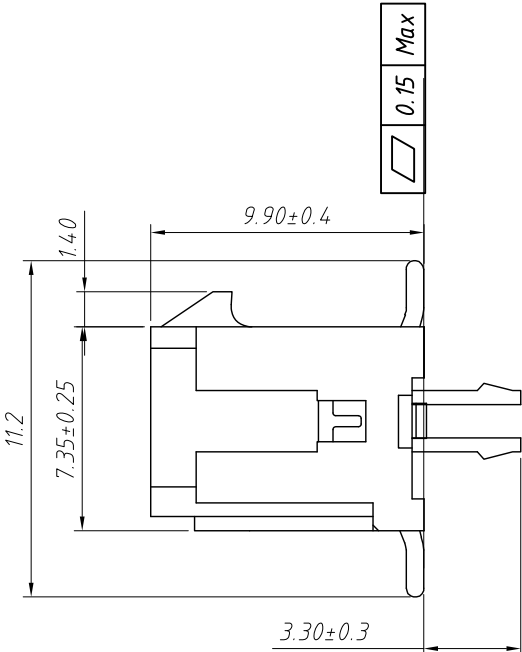
Electrical Characteristics:
Rated Current: 5.0AMP
Voltage rating: 250V AC, DC
Temperature range: $-25^{\circ}\text{C} \sim +85^{\circ}\text{C}$
Insulator Resistance: $1000\text{M}\Omega$ Min
Withstanding Voltage: 1500V AC/minute
Contact Resistance: $20\text{m}\Omega$ Max

Pin	Dimensions(mm)	
	A	B
01	---	6.65
02	3.00	9.65
03	6.00	12.65
04	9.00	15.65
05	12.00	18.65
06	15.00	21.65
07	18.00	24.65
08	21.00	27.65
09	24.00	30.65
10	27.00	33.65
11	30.00	36.65
12	33.00	39.65



Order Information:
L-KLS1-XM1-3.00-2x02-VMT

L: RoHS
Pitch: 3.00mm
Pins: _____
1-Single layer
2-Double layer
XX-No. of 01~12 pins
Type: _____
VT / VMT-Vertical SMT Pin
RT / RMT-Horizontal SMT Pin

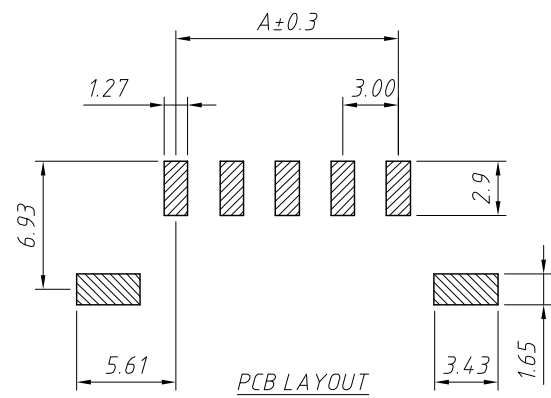
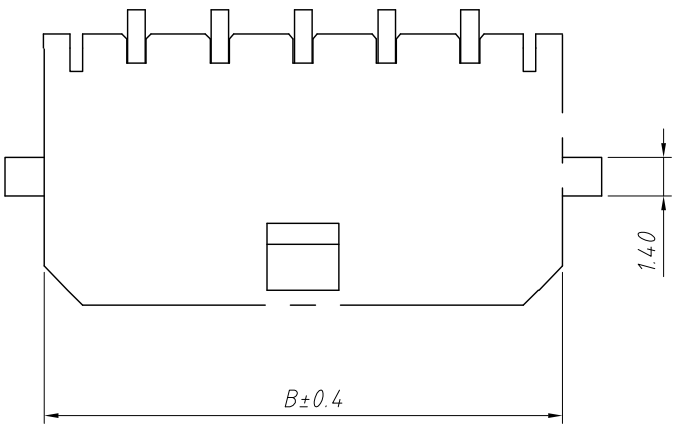


ANGLE TOLERANCE	PROJECTION	Description:	3.0mm Pitch Micro Fit 3.0 43020 43025
$\pm 3^{\circ}$			43045 43030 43031 43645 43640 Wire To Board Connector
GENERAL TOLERANCE	UNITS	mm	KLS P/N: L-KLS1-XM1-3.00-2x02-VMT
x.x ± 0.30	SHEET SIZE	A4	NingBo KLS ELECTRONIC CO.,LTD.
x.xx ± 0.20	Draw:	Daniel	
x.xxx ± 0.10	Check:	Daniel	

1
RoHS Compliance

2 3 4 5 6 7 8

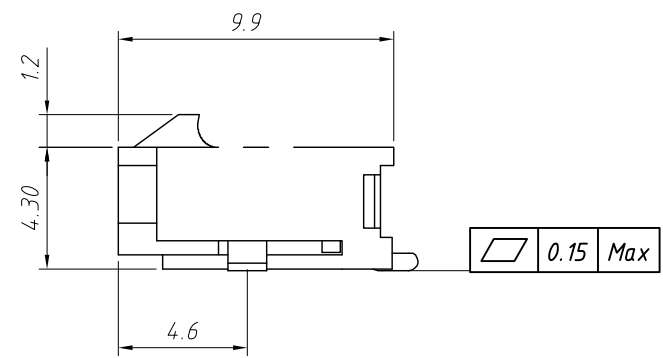
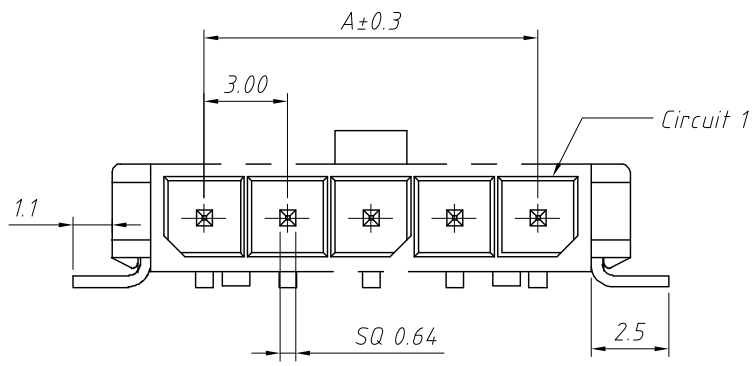
A
B
C
D
E
F
G
H



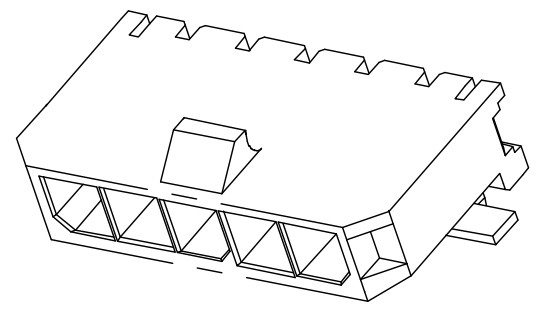
Material:
 Insulator:LCP , UL94 V-0
 Contact:Brass
 Plating:Tin plated

Electrical Characteristics:
 Rated Current:5.0AMP
 Voltage rating:250V AC,DC
 Temperature range:-25°C ~ + 85°C
 Insulator Resistance:1000MΩ Min
 Withstanding Voltage:1500V AC/minute
 Contact Resistance:10mΩ Max

Pin	Dimensions(mm)	
	A	B
02	3.00	9.70
03	6.00	12.70
04	9.00	15.70
05	12.00	18.70
06	15.00	21.70
07	18.00	24.70
08	21.00	27.70
09	24.00	30.70
10	27.00	33.70
11	30.00	36.70
12	33.00	39.70



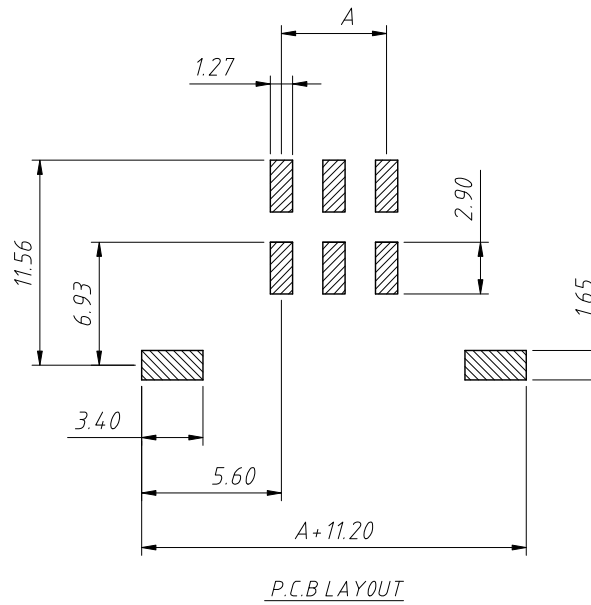
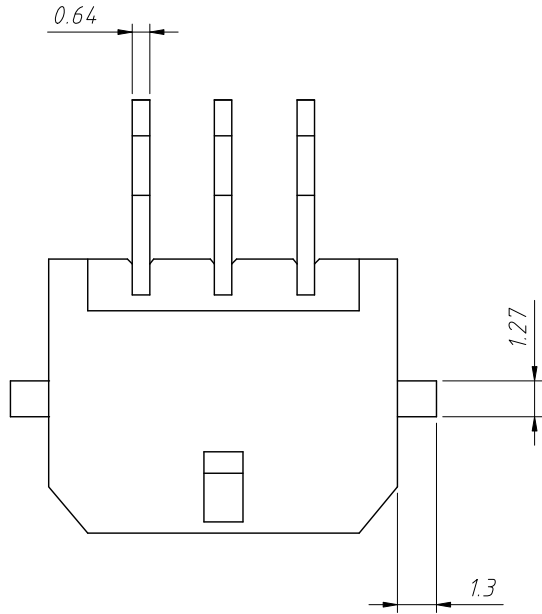
Order Information:
 L-KLS1-XM1-3.00-1x02-RT
 L: RoHS
 Pitch:3.00mm
 Pins: _____
 1-Single layer
 2-Double layer
 XX-No.of 02~12 pins
 Type: _____
 VT / VMT-Vertical SMT Pin
 RT / RMT-Horizontal SMT Pin



ANGLE TOLERANCE	PROJECTION	Description:	3.0mm Pitch Micro Fit 3.0 43020 43025
±3°			43045 43030 43031 43645 43640 Wire To Board Connector
GENERAL TOLERANCE	UNITS	mm	KLS P/N: L-KLS1-XM1-3.00-1x02-RT
x.x ±0.30	SHEET SIZE	A4	NingBo KLS ELECTRONIC CO.,L TD.
x.xx ±0.20	Draw:	Daniel 2021-01-11	
x.xxx ±0.10	Check:	Daniel 2021-01-11	

1 2 3 4 5 6 7 8

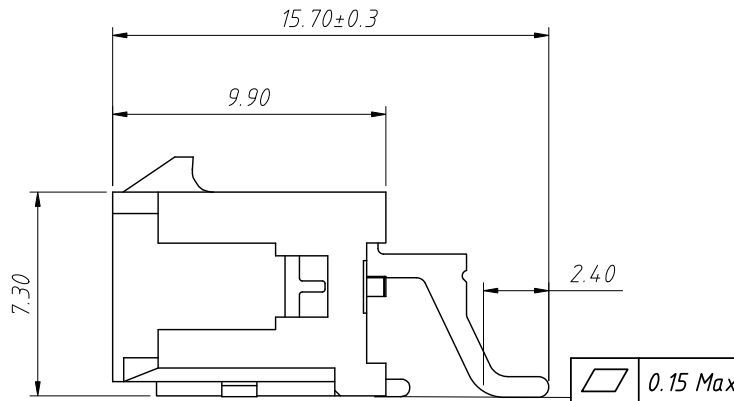
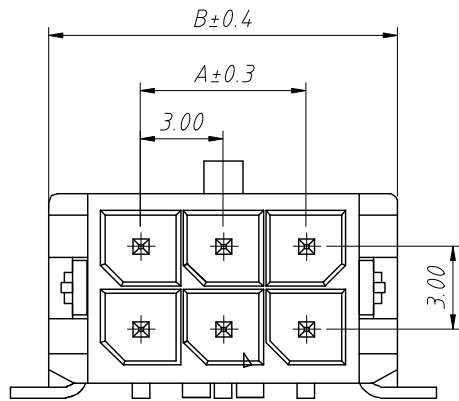
RoHS Compliance



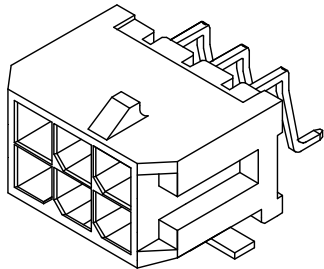
Material:
 Insulator:LCP , UL94V-0
 Contact:Brass
 Plating:Tin plated

Electrical Characteristics:
 Rated Current:5.0AMP
 Voltage rating:250V AC,DC
 Temperature range:-25°C ~ + 85°C
 Insulator Resistance:1000M Ω Min
 Withstanding Voltage:1500V AC/minute
 Contact Resistance:10m Ω Max

Pin	Dimensions(mm)	
	A	B
01	---	6.65
02	3.00	9.65
03	6.00	12.65
04	9.00	15.65
05	12.00	18.65
06	15.00	21.65
07	18.00	24.65
08	21.00	27.65
09	24.00	30.65
10	27.00	33.65
11	30.00	36.65
12	33.00	39.65

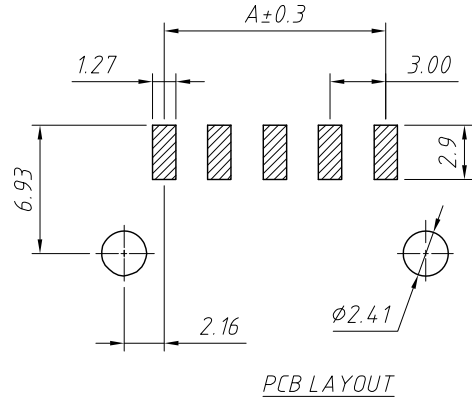
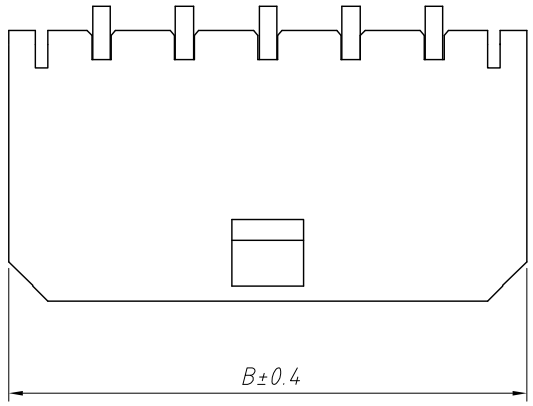


Order Information:
 L-KLS1-XM1-3.00-2x02-RT
 L: RoHS
 Pitch:3.00mm
 Pins: _____
 1-Single layer
 2-Double layer
 XX-No.of 01~12 pins _____
 Type: _____
 VT / VMT-Vertical SMT Pin
 RT / RMT-Horizontal SMT Pin



ANGLE TOLERANCE	PROJECTION	Description:	3.0mm Pitch Micro Fit 3.0 43020 43025	
±3°			43045 43030 43031 43645 43640 Wire To Board Connector	
GENERAL TOLERANCE	UNITS	mm	KLS P/N: L-KLS1-XM1-3.00-2x02-RT	
x.x ±0.30	SHEET SIZE	A4	NingBo KLS ELECTRONIC CO.,L TD.	
x.xx ±0.20	Draw:	Daniel		2021-01-11
x.xxx ±0.10	Check:	Daniel		2021-01-11

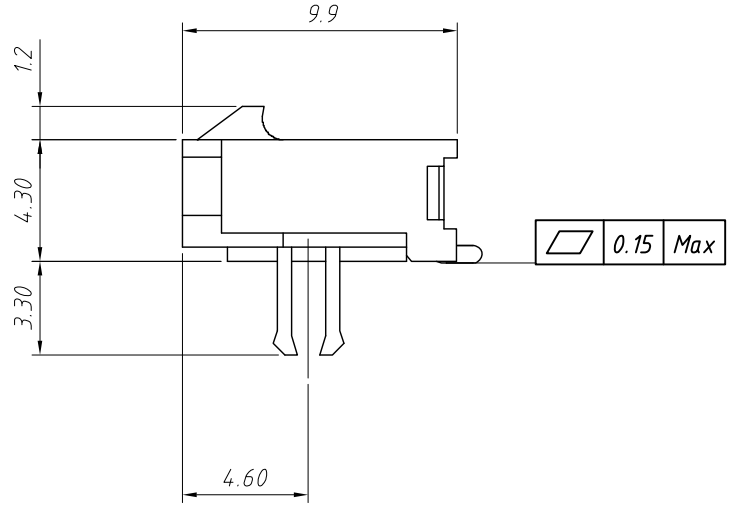
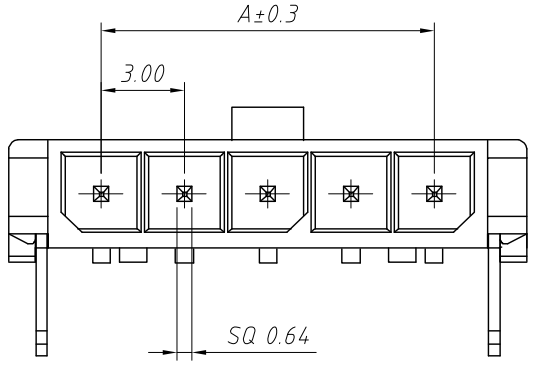
1
RoHS Compliance



Material:
 Insulator:LCP , UL94 V-0
 Contact:Brass
 Plating:Tin plated

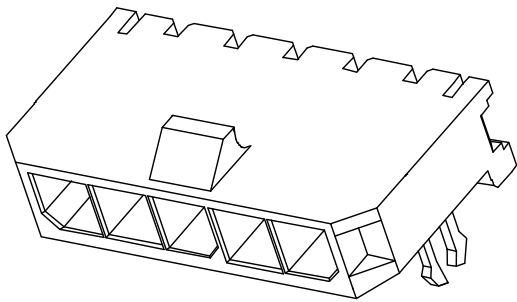
Electrical Characteristics:
 Rated Current:5.0AMP
 Voltage rating:250V AC,DC
 Temperature range:-25°C ~ + 85°C
 Insulator Resistance:1000MΩ Min
 Withstanding Voltage:1500V AC/minute
 Contact Resistance:10mΩ Max

Pin	Dimensions(mm)	
	A	B
02	3.00	9.70
03	6.00	12.70
04	9.00	15.70
05	12.00	18.70
06	15.00	21.70
07	18.00	24.70
08	21.00	27.70
09	24.00	30.70
10	27.00	33.70
11	30.00	36.70
12	33.00	39.70

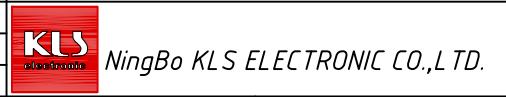


Order Information:
 L-KLS1-XM1-3.00-1x02-RMT

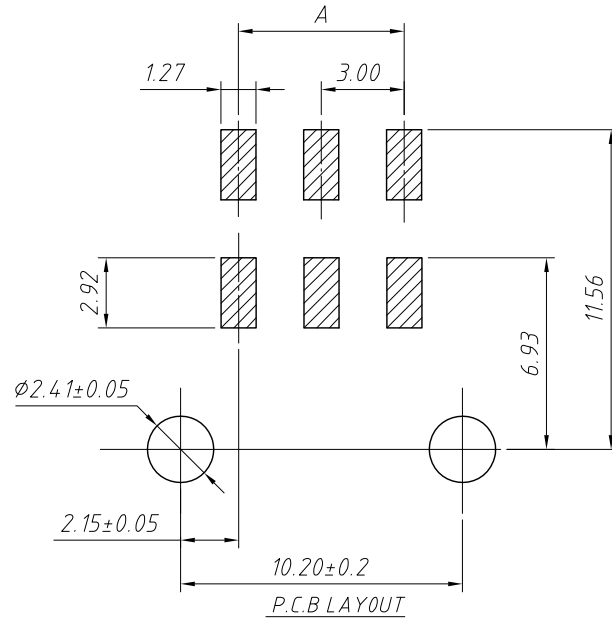
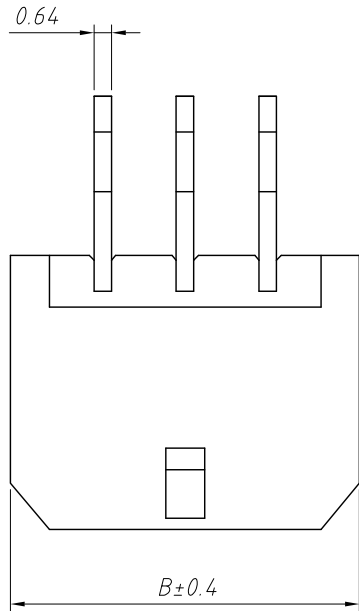
L: RoHS
 Pitch:3.00mm
 Pins: _____
 1-Single layer
 2-Double layer
 XX-No.of 02 ~ 12 pins
 Type: _____
 VT / VMT-Vertical SMT Pin
 RT / RMT-Horizontal SMT Pin



ANGLE TOLERANCE	PROJECTION	Description:	3.0mm Pitch Micro Fit 3.0 43020 43025
±3°		43045 43030 43031 43645 43640 Wire To Board Connector	
GENERAL TOLERANCE	UNITS	mm	KLS P/N: L-KLS1-XM1-3.00-1x02-RMT
x.x ±0.30	SHEET SIZE	A4	
x.xx ±0.20	Draw:	Daniel	2021-01-11
x.xxx ±0.10	Check:	Daniel	2021-01-11



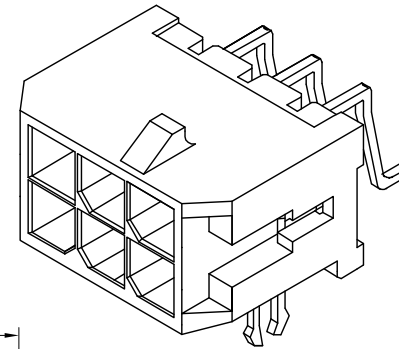
RoHS Compliance



Material:
Insulator:LCP , UL94V-0
Contact:Brass,Tin plated

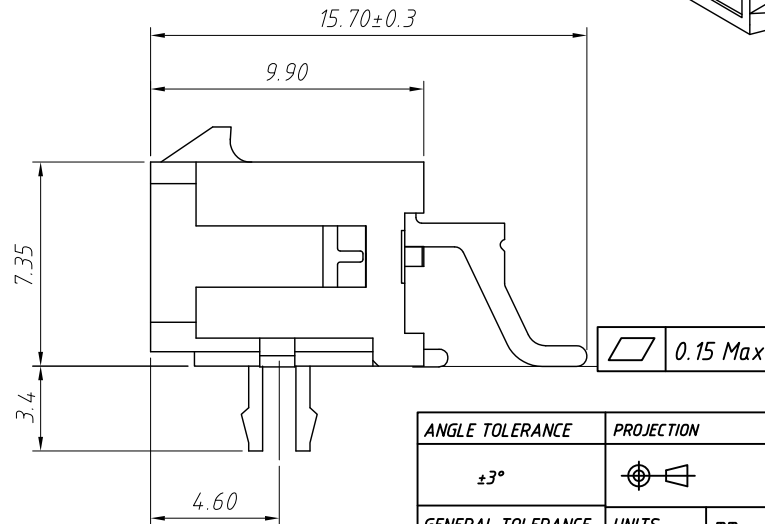
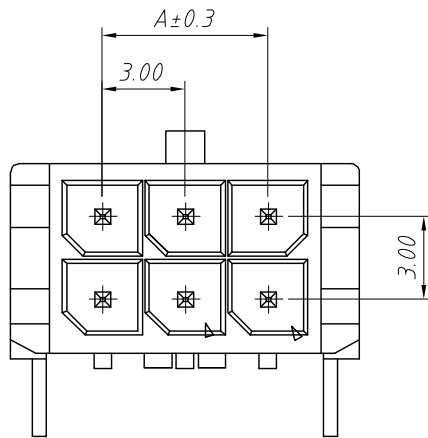
Electrical Characteristics:
Rated Current:5.0AMP
Voltage rating:250V AC,DC
Temperature range:-25°C ~ + 85°C
Insulator Resistance:1000M Ω Min
Withstanding Voltage:1500V AC/minute
Contact Resistance:10m Ω Max

Pin	Dimensions (mm)	
	A	B
01	---	6.65
02	3.00	9.65
03	6.00	12.65
04	9.00	15.65
05	12.00	18.65
06	15.00	21.65
07	18.00	24.65
08	21.00	27.65
09	24.00	30.65
10	27.00	33.65
11	30.00	36.65
12	33.00	39.65



Order Information:
L-KLS1-XM1-3.00-2x02-RMT

L: RoHS
Pitch:3.00mm
Pins:
1-Single layer
2-Double layer
XX-No. of 01~12 pins
Type:
VT / VMT-Vertical SMT Pin
RT / RMT-Horizontal SMT Pin



ANGLE TOLERANCE	PROJECTION	Description:
$\pm 3^\circ$		3.0mm Pitch Micro Fit 3.0 43020 43025 43045 43030 43031 43645 43640 Wire To Board Connector
GENERAL TOLERANCE	UNITS	mm
x.x ± 0.30	SHEET SIZE	A4
x.xx ± 0.20	Draw:	Daniel 2021-01-11
x.xxx ± 0.10	Check:	Daniel 2021-01-11



NingBo KLS ELECTRONIC CO.,L TD.