

Circular Connector

MIL-C-5015 Connector Series

KLS15-228-MS type connector

KLS15-228-MS series circular connectors are used extensively in line connections between electrical equipment, various instruments and meters. These connectors meet the standard MIL-C-5015, have the features of light weight, aluminium alloy material, wide range, threaded coupling, good sealing performance, resistance against corrosion, high conductivity and high dielectric strength. It's the ideal product to replace the MIL-C-5015 series of Amphenol.

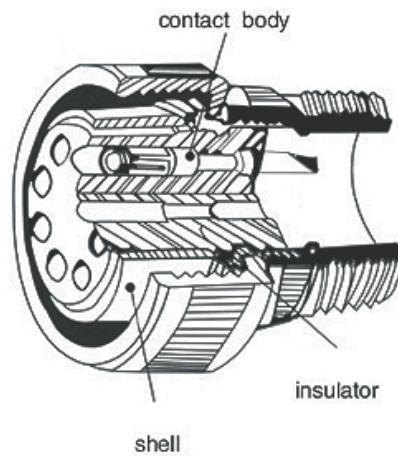
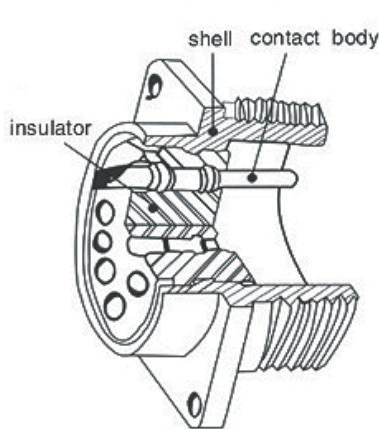
Material and surface treatment:

Shell: Aluminum alloy, Dark green plating
Insulator: PPS
Contact body: Copper alloy, Silver-plated

Service environmental condition

Insulation resistance: 5000MΩ Min.
Ambient temperature: 55°C~+125°C
Life: 500 cycles Min.
With standing voltage: 2KV
Operating voltage: AC500V / DC700V
Rated current:

Contact size	Rated current(A)	Joining of diameter(mm)	Wire size A.W.G	Max. Average Min.	
				kg	kg
16 #	13	φ 2.0	22 # -16 #	1.36	0.95 0.11
12 #	23	φ 3.0	14 # -12 #	2.26	1.58 0.22
8 #	46	φ 5.2	10 # -8 #	4.53	3.17 0.34
4 #	80	φ 8.5	6 # -4 #	6.8	4.76 0.45
0 #	150	φ 12.0	2 # -0 #	9.97	6.35 0.9



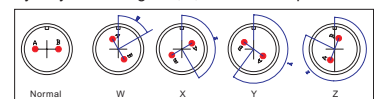
ORDER INFORMATION

Product NO.: KLS15-228-MS 3106A-20-27-JW

MIL-C-5015 standard connector
Connector type code



Key ways exchange: W, X, Y or Z insert positions



Type of contact: K-socket J-pin

Hole group row code number

Type: mounting diameter of receptacle : 8, 10, 12, 14, 16, 18, 20, 22, 24, 28, 32, 36, 40, 44, 48

Rank: A-Whole cannula B-Bifid cannula

Circular Connector

MIL-C-5015 Connector Series

Insert arrangement. From the direction of pin inserting



Insert arrangement	10S-2	10SL-3	10SL-4	12S-3	12S-4	12-5
Service rating	A	A	A	A	D	D
Number of contacts	1	3	2	2	1	1
Contact size	16	16	16	16	16	12

Insert arrangement	14S-2	14S-5	14S-6	14S-7	14S-9	14S-3
Service rating				A	A	A
Number of contacts	4	5	6	3	2	1
Contact size	16	16	16	16	16	8

Insert arrangement	16S-1	16S-3	16S-4	16S-5	16S-6	16S-8
Service rating	A	B	D	A	A	A
Number of contacts	7	1	2	3	3	5
Contact size	16	16	16	16	16	16

Insert arrangement	16-2	16-7	16-9	16-10	16-11	16-12
Service rating	E	A	A	A	A	A
Number of contacts	1	2	2	3	2	1
Contact size	12	16	16	12	12	4

Insert arrangement	16-13					
Service rating	A					
Number of contacts	2					
Contact size	12					

Insert arrangement	18-1	18-3	18-4	18-5	18-6	18-7
Service rating		D	D	D	D	B
Number of contacts	10	2	4	1	2	1
Contact size	16	12	16	16	12	4

Insert arrangement	18-8	18-9	18-10	18-11	18-12	18-13
Service rating	A		D	A	A	A
Number of contacts	7	1	5	2	4	5
Contact size	16	12	16	12	12	16

Insert arrangement	18-14	18-15	18-16	18-22		
Service rating	A	A	C	D		
Number of contacts	1	1	4	1	3	
Contact size	4	16	12	12	16	

Insert arrangement	20-2	20-3	20-4	20-7	20-8	20-9
Service rating	D	D	D			
Number of contacts	1	3	4	8	4	2
Contact size	0	12	12	16	16	8

Insert arrangement	20-14	20-15	20-16	20-17	20-18	20-19
Service rating	A	A	A	A	A	A
Number of contacts	3	2	7	2	1	5
Contact size	12	8	12	16	12	8

Insert arrangement	20-20	20-21	20-22	20-23	20-24	20-27
Service rating	A	A	A	A	A	A
Number of contacts	3	1	8	1	3	3
Contact size	12	4	16	12	16	8

Insert arrangement	20-29	20-33				
Service rating	A	A				
Number of contacts	17	11				
Contact size	16	16				

Insert arrangement	22-2	22-4	22-5	22-6	22-7	22-9
Service rating	D	A	D	D	E	E
Number of contacts	3	4	4	2	1	2
Contact size	8	16	16	12	16	8

Insert arrangement	22-10	22-11	22-12	22-13	22-14	22-15
Service rating	E	B	D	A	A	A
Number of contacts	4	2	3	2	1	4
Contact size	16	16	16	8	16	12

Insert arrangement	22-17	22-18	22-19	22-20	22-21	22-22
Service rating	A	A	A	A	A	A
Number of contacts	8	1	8	14	9	2
Contact size	16	12	16	16	16	10

Insert arrangement	22-23	22-27	22-28	22-36		
Service rating			D			
Number of contacts	8	8	1	7	8	
Contact size	12	16	8	12	12	

Insert arrangement	24-2	24-4	24-5	24-6	24-7	24-10
Service rating	D	D	A	A	A	A
Number of contacts	7	3	1	16	8	14
Contact size	12	16	0	16	12	16

Insert arrangement	24-11	24-12	24-16	24-20	24-21	24-22
Service rating	A	A	A	D	D	D
Number of contacts	6	3	3	3	1	9
Contact size	12	8	12	4	16	12

Insert arrangement	24-27	24-28	24-80			
Service rating	E					
Number of contacts	7	24	23			
Contact size	16	16	16			

Insert arrangement	28-1	28-2	28-3	28-4	28-5	28-7
Service rating	A	D	E	D	D	A
Number of contacts	6	3	12	2	3	7
Contact size	12	8	16	12	16	12



Circular Connector

MIL-C-5015 Connector Series

Insert arrangement . From the direction of pin inserting



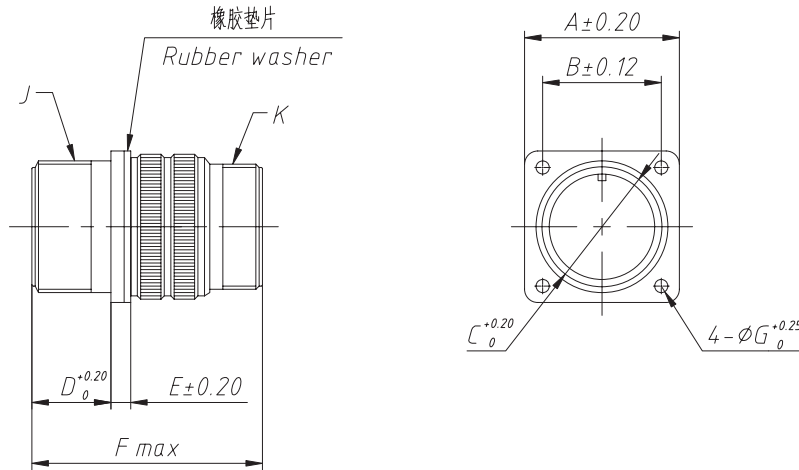
Insert arrangement	28-8	28-9	28-10	28-11	28-12	28-15
Service rating	A	D	A	A	A	A
Number of contacts	10 2	6 6	3 2 2	18 4	26	35
Contact size	16 12	16 12	12 8 4	16 12	16	16

Insert arrangement	28-16	28-17	28-18	28-19	28-20	28-21
Service rating	A	A	D	A	A	A
Number of contacts	20	15	12	6 4	4 10	37
Contact size	16	16	16	16 12	16 12	16

Insert arrangement	28-22					
Service rating	D					
Number of contacts	3 3					
Contact size	16 4					



MS3100



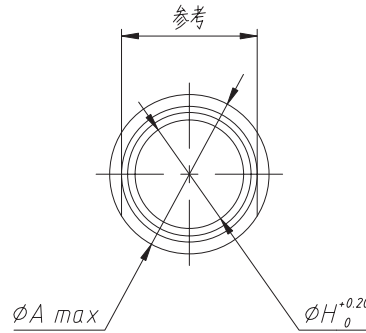
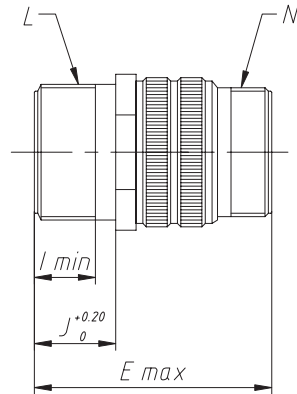
壳体号 Shell size	□A	□B	φC	D	E	F	φG	J	K
10S	25.40	18.26	11.6	14.3	3.00	38.88	3.05	5/8-24 UNEF-2A	1/2-28 UNEF-2A
10SL	25.40	18.26	11.6	14.3	3.00	38.88	3.05	5/8-24 UNEF-2A	5/8-24 UNEF-2A
12S	27.79	20.62	14.4	14.3	3.00	42.87	3.05	3/4-20 UNEF-2A	5/8-24 UNEF-2A
12	27.79	20.62	14.4	19.05	3.00	52.37	3.05	3/4-20 UNEF-2A	5/8-24 UNEF-2A
14S	30.18	23.01	17.45	14.3	3.00	42.87	3.05	7/8-20 UNEF-2A	3/4-20 UNEF-2A
14	30.18	23.01	17.45	19.05	3.00	52.37	3.05	7/8-20 UNEF-2A	3/4-20 UNEF-2A
16S	32.54	24.61	20.75	14.3	3.00	42.87	3.05	1-20 UNEF-2A	7/8-20 UNEF-2A
16	32.54	24.61	20.75	19.05	3.00	52.37	3.05	1-20 UNEF-2A	7/8-20 UNEF-2A
18	34.93	26.97	23.9	19.05	4.00	52.37	3.05	11/8-18 UNEF-2A	1-20 UNEF-2A
20	38.10	29.36	26.95	19.05	4.00	55.57	3.05	11/4-18 UNEF-2A	13/16-18 UNEF-2A
22	41.28	31.75	30.15	19.05	4.00	55.57	3.05	13/8-18 UNEF-2A	13/16-18 UNEF-2A
24	44.45	34.93	33.3	20.63	4.00	58.72	3.73	11/2-18 UNEF-2A	17/16-18 UNEF-2A
28	50.80	39.67	38.9	2.63	4.00	58.72	3.73	13/4-18 UNEF-2A	17/16-18 UNEF-2A

Circular Connector



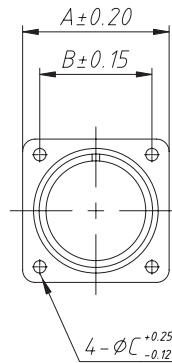
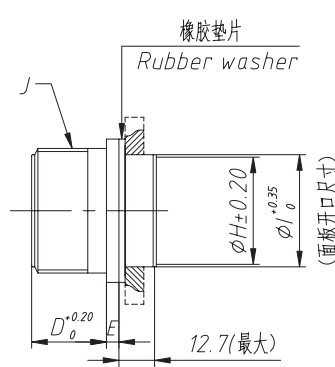
MIL-C-5015 Connector Series

MS3101



壳体号 Shell size	A	E	φH	I	J	J	N
						螺纹 Scerw thread	螺丝 Scerw thread
10S	24.61	38.88	11.6	9.53	14.3	5/8-24 UNEF-2A	1/2-28 UNEF-2A
10SL	24.61	38.88	11.6	9.53	14.3	5/8-24 UNEF-2A	5/8-24 UNEF-2A
12S	26.97	42.87	14.4	9.53	14.3	3/4-20 UNEF-2A	5/8-24 UNEF-2A
12	26.97	52.37	14.4	15.88	19.05	3/4-20 UNEF-2A	5/8-24 UNEF-2A
14S	29.36	42.87	17.45	9.53	14.3	7/8-20 UNEF-2A	3/4-20 UNEF-2A
14	29.36	52.37	17.45	15.88	19.05	7/8-20 UNEF-2A	3/4-20 UNEF-2A
16S	31.75	42.87	20.75	9.53	14.3	1-20 UNEF-2A	7/8-20 UNEF-2A
16	31.75	52.37	20.75	15.88	19.05	1-20 UNEF-2A	7/8-20 UNEF-2A
18	34.13	52.37	23.9	15.88	19.05	1 1/8 UNEF-2A	1-20 UNEF-2A
20	37.31	55.57	26.95	15.88	19.05	1 1/4-18 UNEF-2A	1 3/16-18 UNEF-2A
22	40.48	55.57	30.15	15.88	19.05	1 3/8-18 UNEF-2A	1 3/16-18 UNEF-2A
24	43.66	58.72	33.3	15.88	20.63	1 1/2-18 UNEF-2A	1 7/16-18 UNEF-2A
28	50.01	58.72	38.9	15.88	20.63	1 3/4-18 UNEF-2A	1 7/16-18 UNEF-2A

MS3102



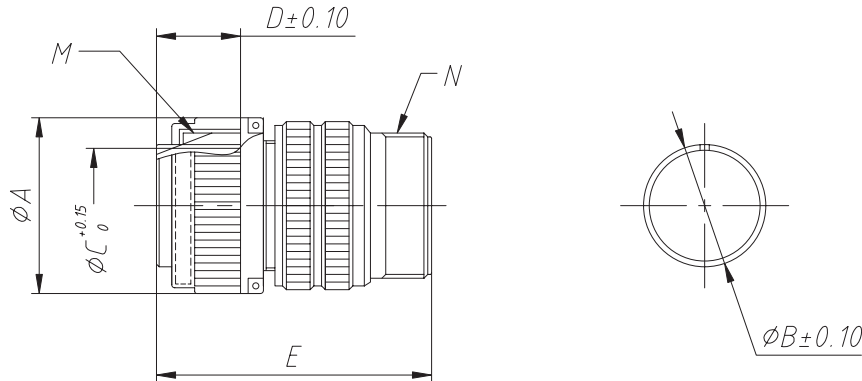
壳体号 Shell size	A	B	φC	D	E	φH	φI	φH	φI	J
						(HMS3102)	(HMS3102)	(HMS3102E)	(HMS3102E)	螺纹 Scerw thread
10S	25.40	18.26	3.05	14.28	3.00	16.66	17.47	14	14.8	5/8-24 UNEF-2A
10SL	25.40	18.26	3.05	14.28	3.00	16.66	17.47	16	16.8	5/8-24 UNEF-2A
12S	27.80	20.62	3.05	14.28	3.00	19.35	20.62	17	17.8	3/4-20 UNEF-2A
12	27.80	20.62	3.05	19.05	3.00	19.35	20.62	17	17.8	3/4-20 UNEF-2A
14S	30.20	23.01	3.05	14.28	3.00	23.01	23.83	21	21.8	7/8-20 UNEF-2A
14	30.20	23.01	3.05	19.05	3.00	23.01	23.83	21	21.8	7/8-20 UNEF-2A
16S	32.50	24.61	3.05	14.28	3.00	26.21	26.97	24	24.8	1-20 UNEF-2A
16	32.50	24.61	3.05	19.05	3.00	26.21	26.97	24	24.8	1-20 UNEF-2A
18	34.90	26.97	3.05	19.05	4.00	29.36	30.18	25	26	1 1/8-18 UNEF-2A
20	38.10	29.36	3.05	19.05	4.00	32.56	33.32	29.3	30	1 1/4-18 UNEF-2A
22	41.30	31.75	3.05	19.05	4.00	35.71	36.53	32.1	33	1 3/8-18 UNEF-2A
24	44.50	34.93	3.73	20.63	4.00	38.91	39.67	37	37.8	1 1/2-18 UNEF-2A
28	50.80	39.67	3.73	20.63	4.00	45.26	46.02	43	43.8	1 3/4-18 UNEF-2A

Circular Connector



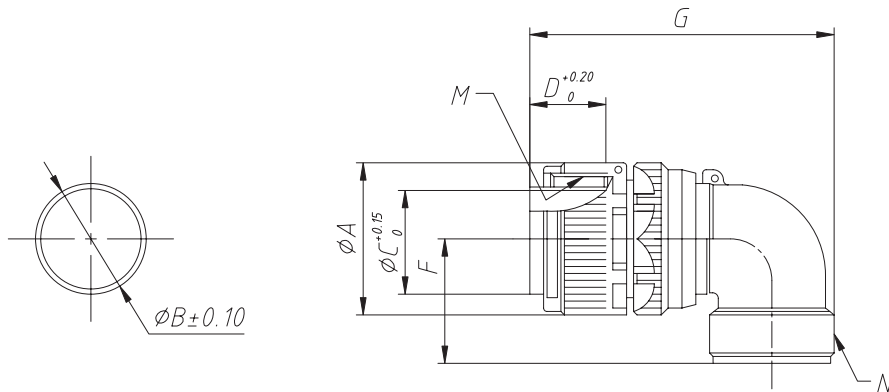
MIL-C-5015 Connector Series

MS3106



壳体号 Shell size	ϕA	ϕB	ϕC	D	E	M		N	
						螺纹 Scerw thread	螺丝 Scerw thread		
8S	21.43	9.3	6.41	13.49	37.3	1/2-28 UNEF-2B	1/2-28 UNEF-2A		
10S	24.61	11.17	8.21	13.49	38.88	5/8-24 UNEF-2B	1/2-28 UNEF-2A		
10SL	24.61	11.33	9.6	13.49	38.88	5/8-24 UNEF-2B	5/8-24 UNEF-2A		
12S	26.97	14.10	11.43	13.49	42.87	3/4-20 UNEF-2B	5/8-24 UNEF-2A		
12	26.97	14.10	11.43	18.26	52.37	3/4-20 UNEF-2B	5/8-24 UNEF-2A		
14S	29.36	17.15	13.37	13.49	42.87	7/8-20 UNEF-2B	3/4-20 UNEF-2A		
14	29.36	17.15	13.37	18.26	52.37	7/8-20 UNEF-2B	3/4-20 UNEF-2A		
16S	31.75	20.45	16.54	13.49	42.87	1-20 UNEF-2B	7/8-20 UNEF-2A		
16	31.75	20.45	16.54	18.26	52.37	1-20 UNEF-2B	7/8-20 UNEF-2A		
18	34.13	23.62	19.72	18.26	52.37	11/8-18 UNEF-2B	1-20 UNEF-2A		
20	37.31	26.67	23.68	18.26	55.57	11/4-18 UNEF-2B	13/16-18 UNEF-2A		
22	40.48	29.85	26.07	18.26	55.57	13/8-18 UNEF-2B	13/16-18 UNEF-2A		
24	43.66	33.02	29.24	18.26	58.72	11/2-18 UNEF-2B	17/16-18 UNEF-2A		
28	50.01	38.61	34.80	18.26	58.72	13/4-18 UNEF-2B	17/16-18 UNEF-2A		

MS3108



壳体号 Shell size	ϕA	ϕB	ϕC	D	E	M		N	
						螺纹 Scerw thread	螺丝 Scerw thread		
8S	21.43	9.3	6.41	13.49	37.3	1/2-28 UNEF-2B	1/2-28 UNEF-2A		
10S	24.61	11.17	8.21	13.49	38.88	5/8-24 UNEF-2B	1/2-28 UNEF-2A		
10SL	24.61	11.33	9.6	13.49	38.88	5/8-24 UNEF-2B	5/8-24 UNEF-2A		
12S	26.97	14.10	11.43	13.49	42.87	3/4-20 UNEF-2B	5/8-24 UNEF-2A		
12	26.97	14.10	11.43	18.26	52.37	3/4-20 UNEF-2B	5/8-24 UNEF-2A		
14S	29.36	17.15	13.37	13.49	42.87	7/8-20 UNEF-2B	3/4-20 UNEF-2A		
14	29.36	17.15	13.37	18.26	52.37	7/8-20 UNEF-2B	3/4-20 UNEF-2A		
16S	31.75	20.45	16.54	13.49	42.87	1-20 UNEF-2B	7/8-20 UNEF-2A		
16	31.75	20.45	16.54	18.26	52.37	1-20 UNEF-2B	7/8-20 UNEF-2A		
18	34.13	23.62	19.72	18.26	52.37	11/8-18 UNEF-2B	1-20 UNEF-2A		
20	37.31	26.67	23.68	18.26	55.57	11/4-18 UNEF-2B	13/16-18 UNEF-2A		
22	40.48	29.85	26.07	18.26	55.57	13/8-18 UNEF-2B	13/16-18 UNEF-2A		
24	43.66	33.02	29.24	18.26	58.72	11/2-18 UNEF-2B	17/16-18 UNEF-2A		
28	50.01	38.61	34.80	18.26	58.72	13/4-18 UNEF-2B	17/16-18 UNEF-2A		