

## Circular Connector

### Russia Standard P Type

#### KLS15-RCS03-P type connector

P type common round linker, accords with SJ/T1049694, 8 varieties of P16, P60 screw thread, more than 1800 pieces specification, include: vertical, curve, shield, non-shield, airproof, and non-airproof, etc.

the diameter of contact pieces is  $\Phi 1.5$ 、 $\Phi 2.5$ 、 $\Phi 3.5$ 、 $\Phi 5.5$ mm, gilt and silver-plated .

#### Technical characteristics

Relative humidity:it can reaches 93% at 40 C

Ambient temperature: -60 C~+50 C

Vibration:10 ~ 200Hz , 95m/S2

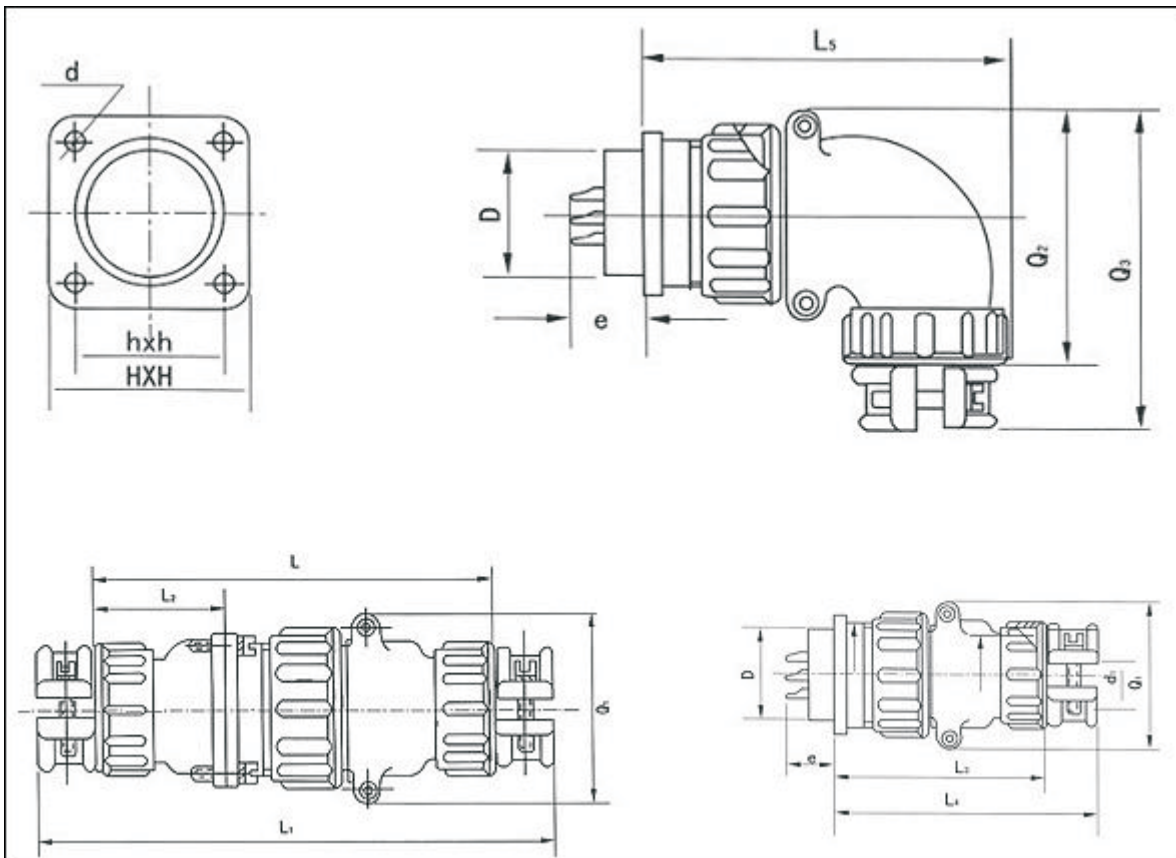
Insulated resistance:normal temperature: 20M $\Omega$  Min.

Wet heat: 20M $\Omega$  Min.

Life duration: 500cycles



XV



### ORDER INFORMATION

Product NO.: KLS15-RCS03-P 20-4 T K-1 M

P series connector	_____	M - Airproof Receptacle
Type:mounting diameter	_____	A -Non-airproof Receptacle
of receptacle : 16,20,28,32,40,48,55	_____	P - Straight Screen Plug
Number of contacts:2,3,4,5,6,7,8,9,	_____	Q - Straight Non-Screen Plug
10,12,14,15,16,20,26,30,35	_____	R - Syphon Screen Plug
T-Plug Z-Flange Receptacle	_____	S - Syphon Non-Screen Plug
K-socket J-pin	_____	Contact assembled code

# Circular Connector



## Russia Standard P Type

### Exterior and fixing dimension of socket

Code	P16	P20	P28	P32	P36	P40	P48	P55
D	16	20	28	32	36	40	48	55
L1	106	114	128	134	140	142	146	146
L	86	92	100	106	112	114	118	118
L2	28	32	36	40	42	42	44	44
L3	58	60	64	66	70	72	74	74
L4	68	71	78	80	84	86	88	88
L5	64	71	81	81	84	88	98	106
Q1	28.5	36	48	52	54	60	68	74
Q2	40	48	62	66	67	72	81	88
Q3	50	59	76	80	81	86	95	102
h	19	22	30	32	34	40	48	52
H	25	30	38	40	42	48	58	64

### Contact arrangement

No. of pin	2芯	3芯	4芯	2芯	3芯	4芯
Type	P16	P16	P16	P20	P20	P28
Assembled code	1	2	3	1	2	1
Contact diameter and quantity	φ1.5×2	φ1.5×3	φ1.5×4	φ1.5×2	φ2.5×2	φ3.5×2
No. of pin	3芯	3芯	3芯	4芯	4芯	4芯
Type	P20	P20	P20	P40	P20	P20
Assembled code	3	4	5	1	6	7
Contact diameter and quantity	φ2.5×3	φ1.5×3	φ1.5×1 φ2.5×2	φ5.5×3	φ2.5×4	φ1.5×4
No. of pin	4芯	4芯	4芯	4芯	4芯	4芯
Type	P20	P28	P28	P28	P28	P28
Assembled code	8	7	8	9	2	10
Contact diameter and quantity	φ1.5×1 φ2.5×2	φ1.5×4	φ1.5×2 φ2.5×2	φ2.5×4	φ2.5×2 φ3.5×2	φ1.5×2 φ3.5×2
No. of pin	5芯	6芯	7芯	7芯	8芯	7芯
Type	P20	P20	P28	P28	P20	P28
Assembled code	9	10	3	11	11	4
Contact diameter and quantity	φ2.5×5	φ1.5×5	φ1.5×1 φ3.5×2	φ1.5×6	φ1.5×7	φ2.5×7
No. of pin	7芯	7芯	7芯	8芯	8芯	8芯
Type	P28	P28	P28	P28	P32	P32
Assembled code	12	13	14	15	2	7
Contact diameter and quantity	φ1.5×7	φ1.5×5 φ2.5×2	φ1.5×1 φ2.5×3	φ1.5×3 φ2.5×4	φ2.5×8	φ1.5×8
No. of pin	8芯	9芯	10芯	10芯	12芯	12芯
Type	P32	P32	P40	P32	P32	P32
Assembled code	8	9	2	10	11	3
Contact diameter and quantity	φ1.5×7 φ2.5×1	φ1.5×4 φ2.5×4	φ2.5×5 φ3.5×4	φ1.5×10	φ1.5×6 φ2.5×4	φ1.5×6 φ2.5×6
No. of pin	12芯	14芯	14芯	14芯	15芯	15芯
Type	P32	P32	P40	P40	P40	P40
Assembled code	12	4	3	4	5	6
Contact diameter and quantity	φ1.5×12	φ1.5×14	φ1.5×8 φ2.5×6	φ1.5×12 φ2.5×2	φ1.5×14	φ1.5×15
No. of pin	15芯	16芯	20芯	20芯	26芯	26芯
Type	P40	P40	P40	P48	P48	P48
Assembled code	7	8	9	5	6	6
Contact diameter and quantity	φ1.5×13 φ2.5×2	φ1.5×14 φ2.5×2	φ1.5×16	φ1.5×14 φ2.5×6	φ1.5×26	φ1.5×26
No. of pin	30芯	30芯	30芯	35芯	35芯	35芯
Type	P55	P55	P55	P55	P55	P55
Assembled code	3	4	5	7	8	8
Contact diameter and quantity	φ1.5×22 φ2.5×8	φ1.5×30	φ1.5×24 φ2.5×6	φ1.5×33 φ2.5×10 φ3.5×2	φ1.5×33	φ1.5×33

### Contacts compages code list

Diameter of socket (mm)	Number of contact				Assembled code	Diameter of socket (mm)	Number of contact				Assembled code		
	Pin s	According the diameter grouping (mm)					Pin s	According the diameter grouping (mm)					
		1.5	2.5	3.5				5.5	1.5	2.5		3.5	5.5
16	2	2				8	8				2		
	3	3				8	8				7		
	4	4				8	7	1			8		
20	2	2				8	4	4			9		
	2		2			10	10				10		
	3		3			10	6	4			11		
	3	1	3			12	6	6			3		
	4		4			12	12				12		
	4	4				14	14				4		
	4	2	2			3				3	1		
	5		5			9		5	4		3		
	5	5				14	8	6			3		
	7	7				14	12	2			4		
28	2			2		14	14				5		
	4	4				15	15				6		
	4	2	2			15	13	2			7		
	4		4			16	14	2			8		
	4		2	2		16	16				9		
	4	2		2		20	14	6			5		
	6	4		2		26		26			6		
	6	6				30	22	8			3		
	7		7			30	30				4		
	7	7				30	24	6			5		
7	5	2			35	23	10	2		7			
7	4	3			35	33		2		8			
7	3	4											