

Plastic Waterproof Enclosures

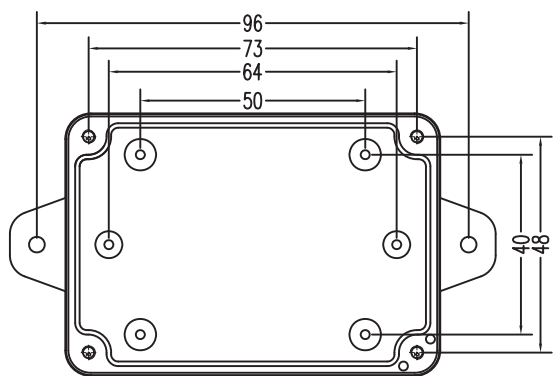
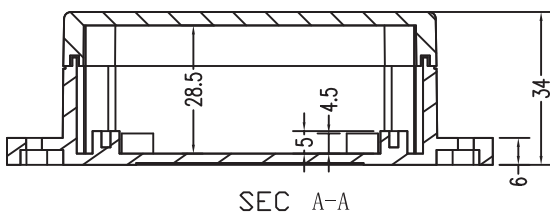
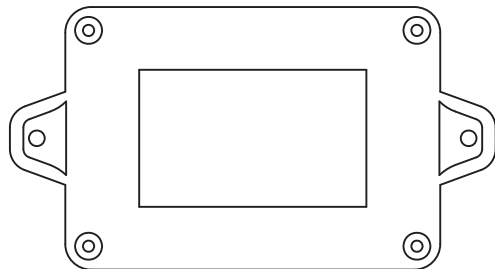
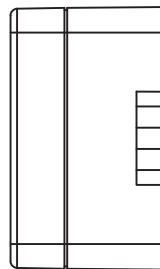
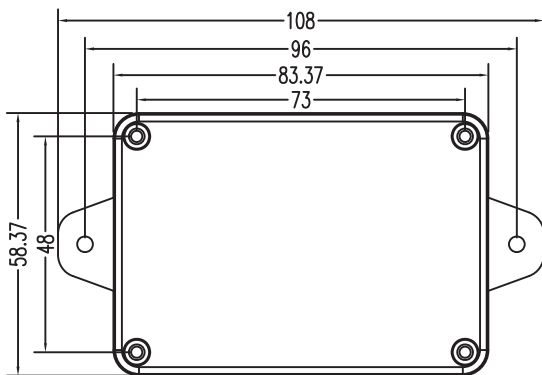
KLS24-JG1-14 83*58*33mm Plastic Waterproof Enclosures

Product Description:

- * Case Material: ABS
- * Product Standard: cover, base, 4 screws, silicone rubber sealing strip
- * Shell average thickness of about 2.5mm, IP65 waterproof coefficient
- * Cover and base with four M3 screws, threaded inserts copper cylinder base corners
- * Enclosure has two small ears easy wall mounting
- * Housing can cut according to customer requirements



I



ORDER INFORMATION

Product NO.: KLS24-JG1-14

Pos. NO.

No.