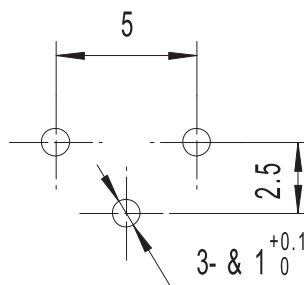
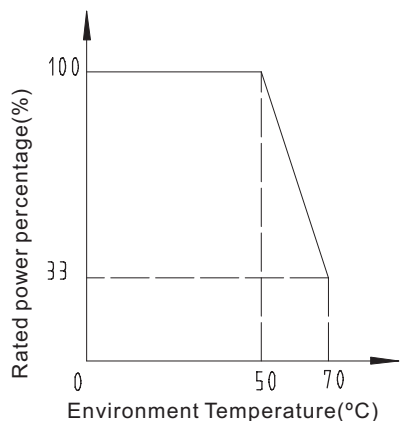
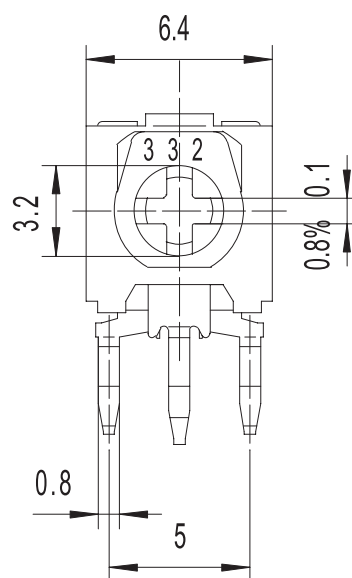
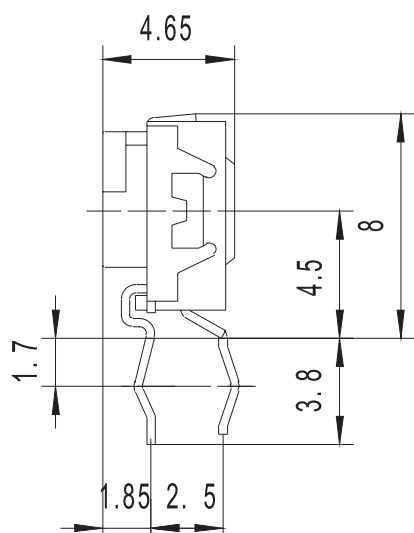
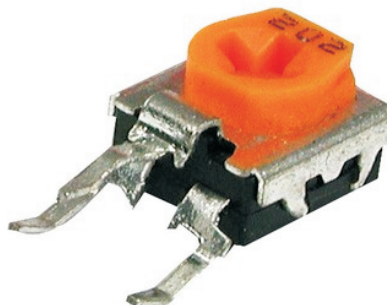


Trimmer potentiometers

KLS4-WH06-1C Carbon Film Trimmer Potentiometer

Main Technical Specifications

- Standard Resistance Range: 100Ω-2.2MΩ
- Resistance Rule: B(Straight line)
- Resistance Tolerance: ±%30
- Zeropoint Resistance: $R < 2K\Omega, 20\Omega \text{ Max}; R \geq 2K\Omega, 2\%R \text{ Max.}$
- Rated Power: 0.1W
- Rotational Noise(Method B): ≤5%
- Starting Torque: 2-15 mm
- Rotation Angle: $210^\circ \pm 10^\circ$
- Mechanical Durability: 100 times



PCB Layout Size

ORDER INFORMATION

Product No.: KLS4-WH06-1C

Pos. No. _____ Trimmer Potentiometer With WH06-1C Type