

FUSE AND FUSE HOLDER

AUTO fuse Series

KLS5-270 AUTO fuse Series

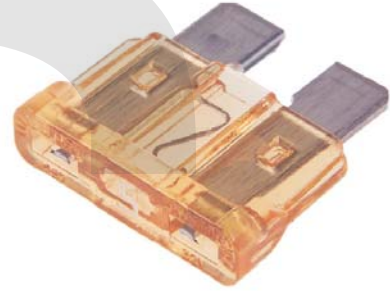


Material

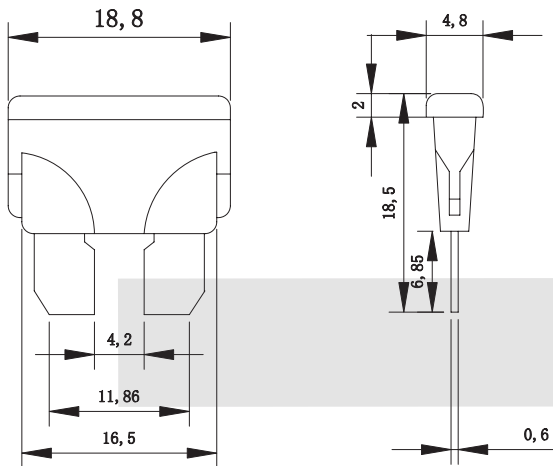
Base / Cap: PC
Pins: Zinc Alloy
Operating Temperature: -55 ° C to +125 ° C

Features

Automotive Fuse
Many kinds of automotive fuse.
Current rating: 3A ~ 40A.
Voltage rating: 32Vdc
Excellent inrush current withstanding capability
Excellent withstand capacity for thermal and mechanic shock



Dimension (Unit: mm)



Type	Rating Current(A)	Rating Voltage(V)	Color
KLS5-270-003	3	32	purple
KLS5-270-004	4	32	Pink
KLS5-270-005	5	32	Orange
KLS5-270-008	7.5	32	tan
KLS5-270-010	10	32	red
KLS5-270-015	15	32	blue
KLS5-270-020	20	32	yellow
KLS5-270-025	25	32	natural
KLS5-270-030	30	32	green
KLS5-270-035	35	32	purplish red
KLS5-270-040	40	32	dark red

Electrical Characteristics

Rating	Blowing Time
110%	4hours Min
135%	1800Sec Max
200%	5Sec Max

ORDER INFORMATION

Product NO.: KLS5-270-003-XX

Part Number _____
 AUTO fuse Series _____
 Rated current _____ Packing: A: Bulk B: Boxed C: Elevators