

# Switch

## Push Button Switch Series

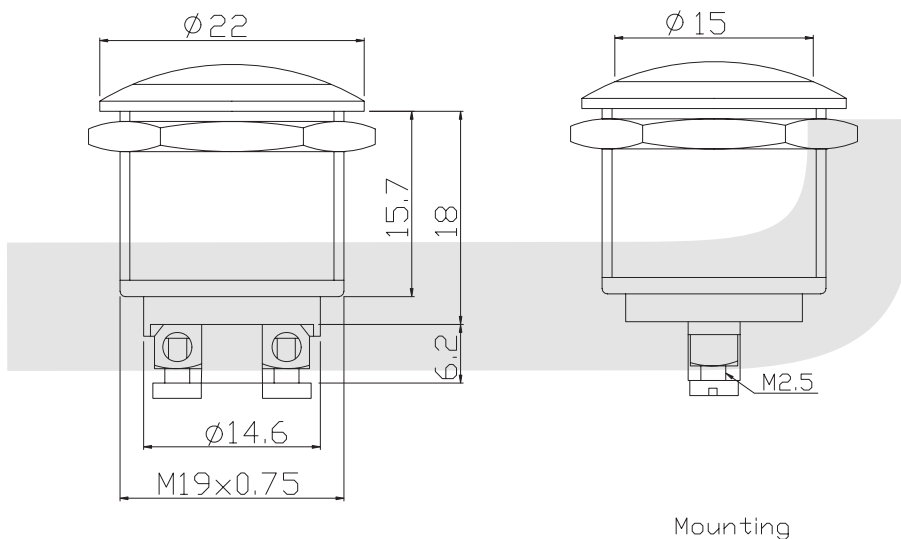
### KLS7-PBS-013 Push Button Switch Series

#### ELECTRICAL

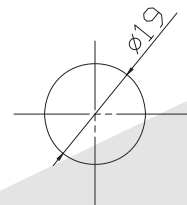
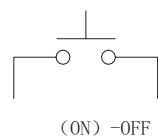
Rating: 4A 125V AC ,2A 250V AC  
Contact resistance: 20mΩ Max  
Insulation resistance: 100MΩ/500VDC Min  
Withstanding Voltage: AC1000V/1Min  
Operating Temperature: -25°C~+85°C  
Electrical life: 50000 Cycles



VII



Circuitry



## ORDER INFORMATION

**KLS7-PBS-013 X**

Part Number

PBS-013: Push Button Switch Series

Function: B=ON-OFF  
C=ON-(OFF)  
D=OFF-(ON)