

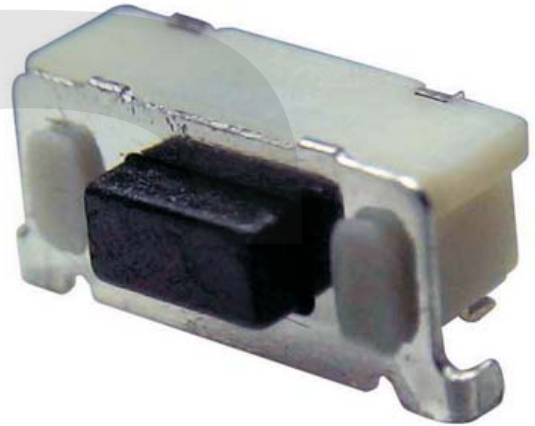
Switch

Tact Switch Series

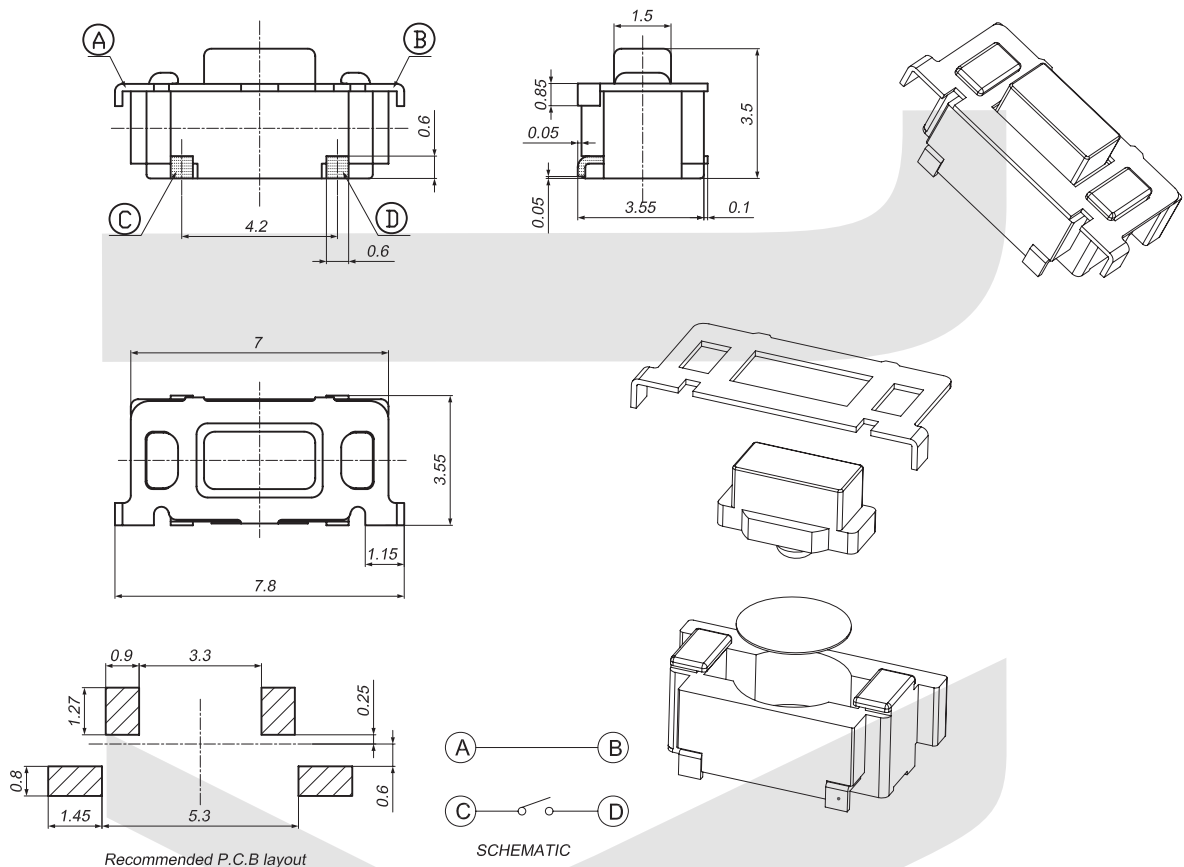
KLS7-TS3606B 3x6 Tact Switch Series

ELECTRICAL

1. Rating: 50mA 12VDC
2. Contact Resistance : 50mΩ max(initial)
3. Insulation Resistance: 100MΩ(minDC 250V)
4. Dielectric Strength : AC250V(50/60Hz for 1minute)
5. Electrically Life: 50000cycles
6. Environment temperature: -25°C~+70°C
7. Operating Force: 180/250(±30gf)
8. Seal temperature: 260°C~ 280°C



Dimension (unit: mm)



ORDER INFORMATION

KLS7-TS3606B - 3.5 - 180 -B

Series No. _____ Packing: B=Bulk T=Tape
 Hight: 3.5mm _____ Operating Force :180~250gf