

KSH Miniature Aluminum Electrolytic Capacitors

7mm L, 105°C High-Reliability, Low Impedance Capacitors, Series KSH.

Diameter from $\Phi 4$ to $\Phi 8$ and height of 7mm

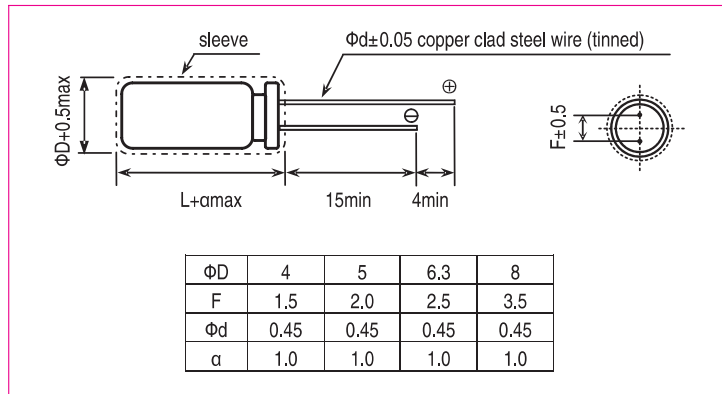
Guaranteed 1000 hours at 105°C

RoHS

Outline Drawing

Unit: mm

Photo



Marking color: White print on deep green sleeve

Specifications

No.	Item	Performance							
1	Temperature range (°C)	-40 to +105							
2	Leakage current (μA)	Less than 0.01CV or 3 whichever is larger (after two minutes) C: Capacitance (μF); V: Rated voltage (V) 20°C							
3	Capacitance tolerance (%)	±20 (20°C 120Hz)							
4	Tangent of the loss angle (Tan δ)	Rated voltage (V)	6.3	10	16	25	35	20°C, 120Hz	
		Tan δ (max)	0.18	0.16	0.14	0.12	0.12		
5	Low temperature characteristics	Rated voltage (V)	6.3	10	16	25	35	120Hz	
		Impedance ratio (max)	Z(-25°C)/Z(+20°C)	2	2	2	2		2
			Z(-40°C)/Z(+20°C)	3	3	3	3		3
6	Endurance (105°C) (Applied ripple current)	Test time	1000hours						
		Leakage current	The initial specified value or less						
		Percentage of capacitance change	Within ±20% of initial value						
		Tangent of the loss angle	200% or less of the initial specified value						
7	Shelf life (105°C)	Test time	500hours						
		Leakage current	The initial specified value or less						
		Percentage of capacitance change	Within of initial value						
		Tangent of the loss angle	200% or less of the initial specified value						
8	Applicable standards	JIS-C-5102 and JIS-C-5141							

Coefficient of Frequency for Ripple Current

Capacitance (μF)	Frequency (Hz)			
	120	1K	10K	100K
CAP ≤ 47	0.50	0.76	0.87	1.00
47 < CAP ≤ 220	0.70	0.85	0.90	1.00

Coefficient of Temperature for Ripple Current

Temperature(°C)	60	70	85	105
	Coefficient	1.80	1.50	1.30

KSH Miniature Aluminum Electrolytic Capacitors

Dimension: Φ D×L(mm)

Ripple Current: mA/rms at 100KHz,105°C

DIMENSION & PERMISSIBLE RIPPLE CURRENT

V.DC Contents μ F	6.3V			10V			16V		
	Φ D×L	Impedance Ω /100KHz 20°C	Ripple Current (mA/rms,105°C)	Φ D×L	Impedance Ω /100KHz 20°C	Ripple Current (mA/rms,105°C)	Φ D×L	Impedance Ω /100KHz 20°C	Ripple Current (mA/rms,105°C)
6.8							4X7	3.30	70
10							4X7	3.30	70
15							4X7	3.30	70
22				4X7	3.30	70	5X7	1.70	110
33	5X7	1.70	110	5X7	1.70	110	6.3X7	0.80	160
47	5X7	1.70	110	6.3X7	0.80	160	6.3X7	0.80	160
68	6.3X7	0.80	160	6.3X7	0.80	160	8X7	0.50	200
100	6.3X7	0.80	160	8X7	0.50	200	8X7	0.50	200
150	8X7	0.50	200	8X7	0.50	200			
220	8X7	0.50	200						

V.DC Contents μ F	25V			35V		
	Φ D×L	Impedance Ω /100KHz 20°C	Ripple Current (mA/rms,105°C)	Φ D×L	Impedance Ω /100KHz 20°C	Ripple Current (mA/rms,105°C)
6.8				4X7	3.30	70
10	4X7	3.30	70	5X7	1.70	110
15	5X7	1.70	110	6.3X7	0.80	160
22	5X7	1.70	110	6.3X7	0.80	160
33	6.3X7	0.80	160	8X7	0.50	200
47	8X7	0.50	160			
68	8X7	0.50	200			