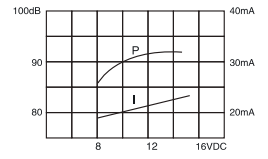
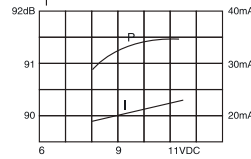
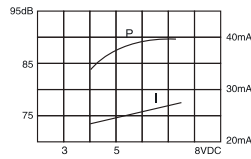
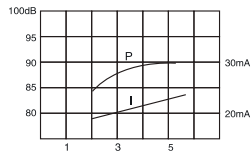
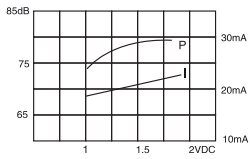
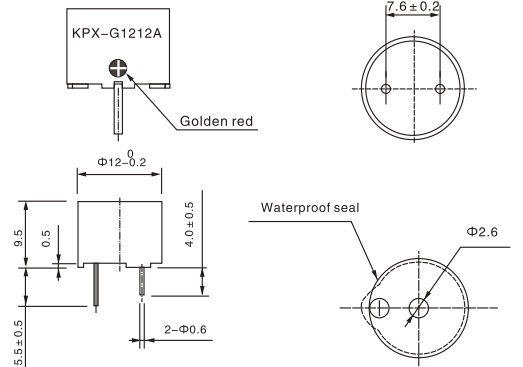


# KPX-G12XXA SERIES MAGNETIC BUZZER

## DIMENSIONS

color Black  
PBT Housing Material  
Pin Terminal



| Model No                 | KPX-G1201A       | KPX-G1203A     | KPX-G1205A     | KPX-G1209A     | KPX-G1212A      |
|--------------------------|------------------|----------------|----------------|----------------|-----------------|
| Rated Voltage            | 1.5VDC           | 3VDC           | 5VDC           | 9VDC           | 12VDC           |
| Operating Voltage        | 1~2VDC           | 2~5VDC         | 4~8VDC         | 7~12VDC        | 8~15VDC         |
| Max Rated Current        | 30mA             |                |                |                |                 |
| Min.Sound Pressure Level | 75dB/1.5VDC/10cm | 80dB/3VDC/10cm | 85dB/5VDC/10cm | 85dB/9VDC/10cm | 85dB/12VDC/10cm |
| Resonant Frequency       | 2.3 ± 0.3 KHz    |                |                |                |                 |
| Tone Nature              | Continuous       |                |                |                |                 |
| Operating Temperature    | -20~+70°C        |                |                |                |                 |
| Storage Temperature      | -30~+80°C        |                |                |                |                 |
| Weight                   | 2g               |                |                |                |                 |

RoHS  
Compliant